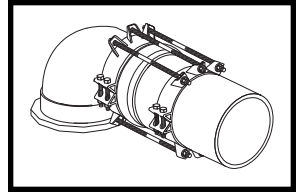
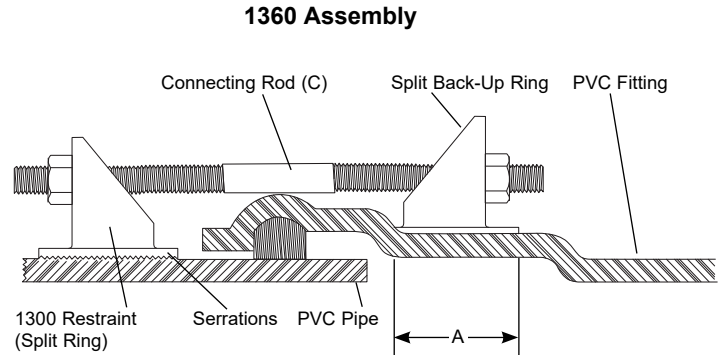
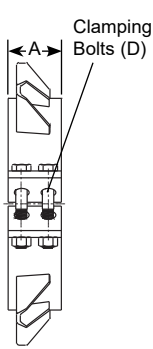
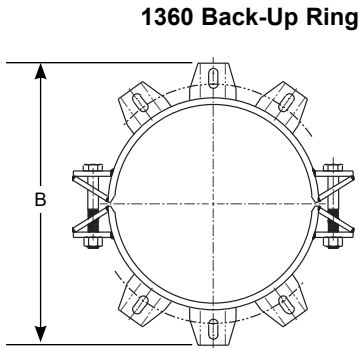


SUBMITTAL INFORMATION

Uni-Flange® Restraint - (UFR1360-C-xx-xxxx-I style)



SERIES 1360-C 14" - 42" RESTRAINT DEVICE FOR PVC PIPE PRESSURE FITTINGS



NOM PIPE SIZE	PVC PIPE WITH DI PIPE OD STYLE 1360-C		A	*B APPROX	CONNECTING RODS QUANTITY & SIZE (C)	SIDE CLAMPING BOLT QUANTITY & SIZE (D)		✓ SUBMITTED ITEMS
	OD	CATALOG No.				RESTRAINT	BACK-UP RING	
14"	15.30	UFR1360-C-14-xxxx-I	4"	22-7/16"	(6) 3/4" x 24"	(4) 7/8" x 7"	(4) 7/8" x 7"	
16"	17.40	UFR1360-C-16-xxxx-I	4"	24-13/16"	(6) 3/4" x 30"	(4) 7/8" x 7"	(4) 7/8" x 7"	
18"	19.50	UFR1360-C-18-xxxx-I	4"	27-1/4"	(8) 3/4" x 30"	(4) 1" x 7"	(4) 7/8" x 7"	
20"	21.60	UFR1360-C-20-xxxx-I	5"	29-5/8"	(8) 3/4" x 30"	(4) 1-1/8" x 9"	(4) 1" x 9"	
24"	25.80	UFR1360-C-24-xxxx-I	5"	32"	(12) 3/4" x 36"	(4) 1-1/8" x 9"	(4) 1" x 9"	
30"	32.00	UFR1360-C-30-xxxx-I	7"	36-7/8"	(12) 1" x 40"	(6) 1-1/8" x 6"	(6) 1-1/8" x 9"	
36"	38.30	UFR1360-C-36-xxxx-I	7"	51-15/16"	(12) 1" x 40"	(6) 1-1/8" x 6"	(6) 1-1/8" x 9"	
42"	44.50	UFR1360-C-42-xxxx-I	7"	57-7/16"	(16) 1-1/4" x 52"	(8) 1-1/8" x 6"	(6) 1-1/8" x 9"	

*These are approximate dimensions. Dimensions are dependent on the bell run O.D.

Note: Bell run O.D. and pipe manufacturer are required when ordering.

Supply bell run outside diameter with order for units 14" and larger.



FEATURES

- Split ring restraint cast of 65-45-12 grade ductile iron per ASTM A536 - black epoxy coated
- Split back-up ring fabricated of carbon steel per ASTM A36 - black alkyd enamel shop coat (NSF 61 approved)
- Rods (included) - High strength, low alloy steel per ANSI/AWWA C111/A21.11
- Rated at full-rated pressure of any class PVC pipe, minimum 2:1 safety factor
- Fits standard C907 fittings

The Ford Meter Box Company considers the information in this submittal form to be correct at the time of publication. Item and option availability, including specifications, are subject to change without notice. Please verify that your product information is current.



The Ford Meter Box Company, Inc.

P.O. Box 443, Wabash, Indiana U.S.A. 46992-0443

Phone: 260-563-3171 / Fax: 800-826-3487

Overseas Fax: 260-563-0167

www.fordmeterbox.com



06/04/18

Submitted By: