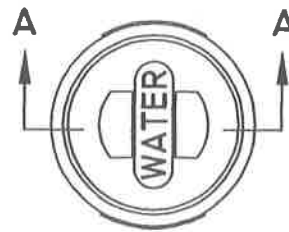
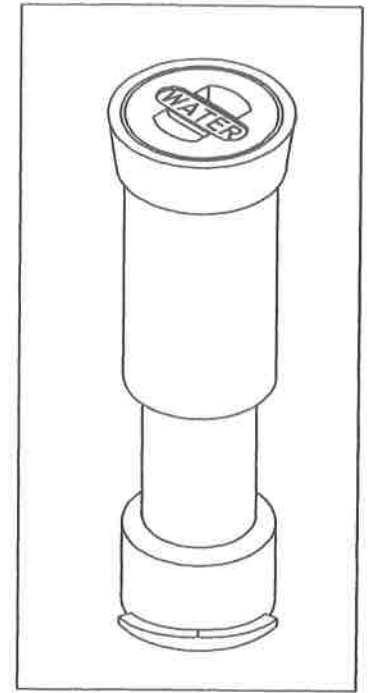
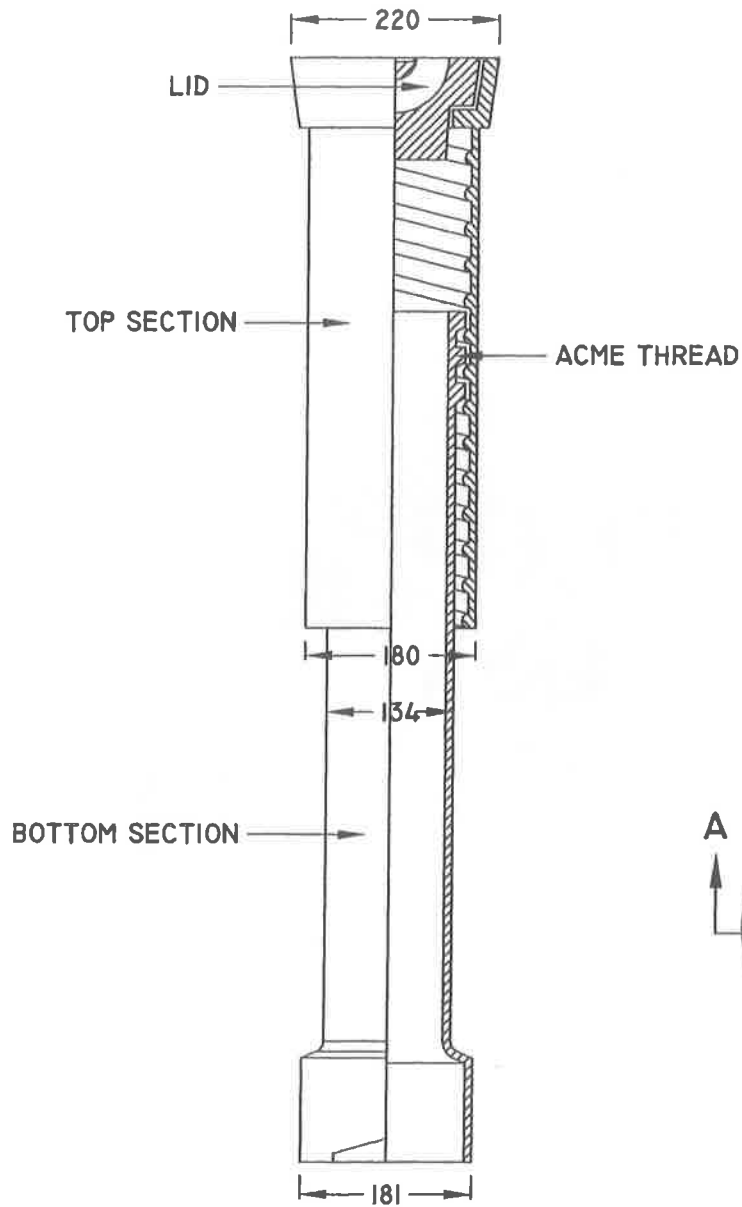




VALVE BOX TYPE B

B-VB



PLAN

SECTION A-A

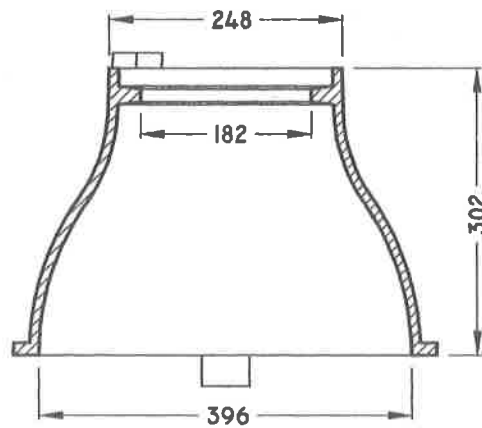
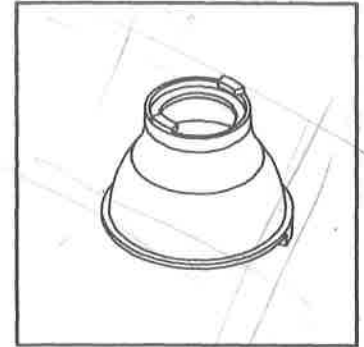
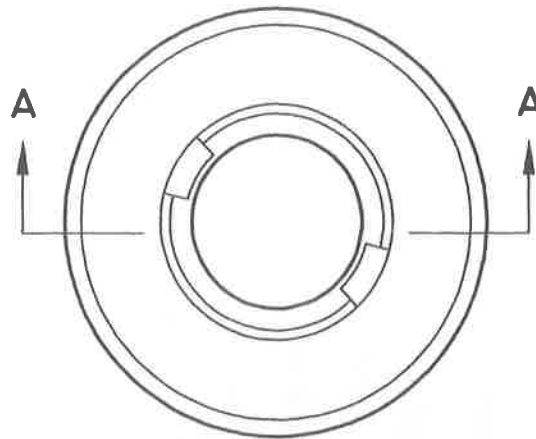
- 1. TOP SECTION LENGTH ARE 600, 900 AND 1200MM
- 2. BOTTOM SECTION LENGTH ARE 900, 1200 AND 1500MM



VALVE BOX B BONNET

B-VB

PLAN



SECTION A-A

MEASUREMENTS IN MILLIMETERS

TROJAN INDUSTRIES INC.
CALGARY • EDMONTON, ALBERTA