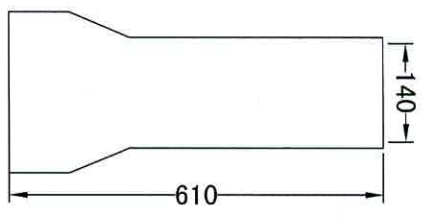
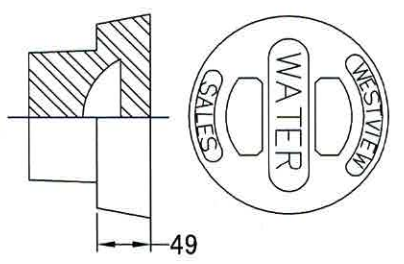
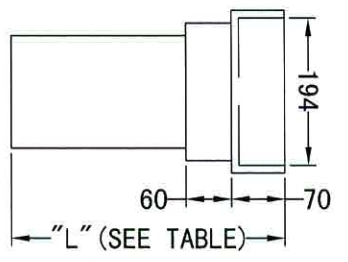
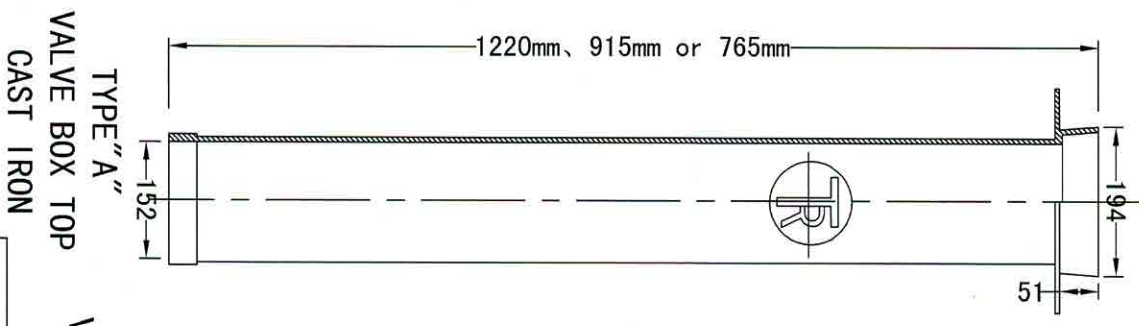


NO	LENGTH "L"
12	311 mm
24	616 mm
36	921 mm

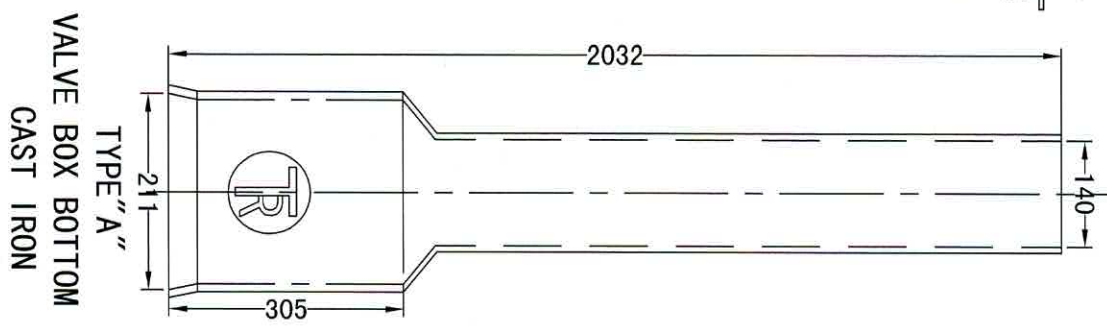
TYPE "A" VALVE BOX RISERS



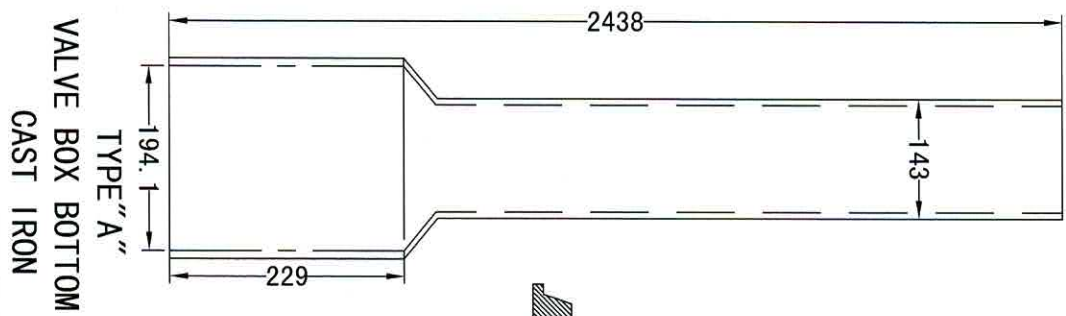
TYPE "A" VB LID INTERMEDIATE EXTENSION



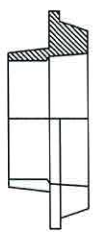
TYPE "A" VALVE BOX TOP CAST IRON



TYPE "A" VALVE BOX BOTTOM CAST IRON



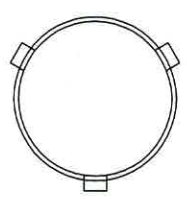
TYPE "A" VALVE BOX BOTTOM CAST IRON



LIFTER RING

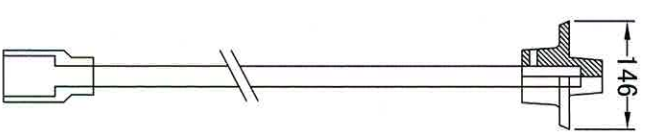


LOCKING RING

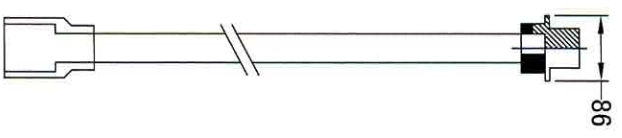


NO	VALUE	RISERS	RINGS
A	25mm	51mm	76mm
B	51mm	51mm	51mm
C	79mm	105mm	130mm

\*DIMENSIONS IN MM\*



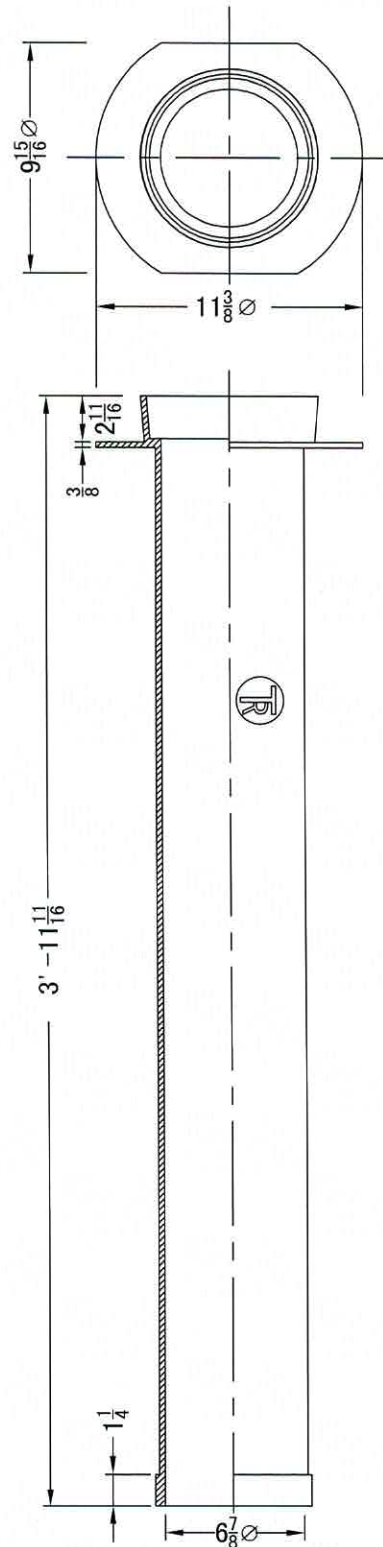
ROD C/W ROCK GUARD



ROD STANDARD

WESTVIEW SALES LTD.

TYPE A VALVE BOX ASSEMBLY



NOTES:

MAT'L:ASTM A48 CLASS 25 GREY IRON

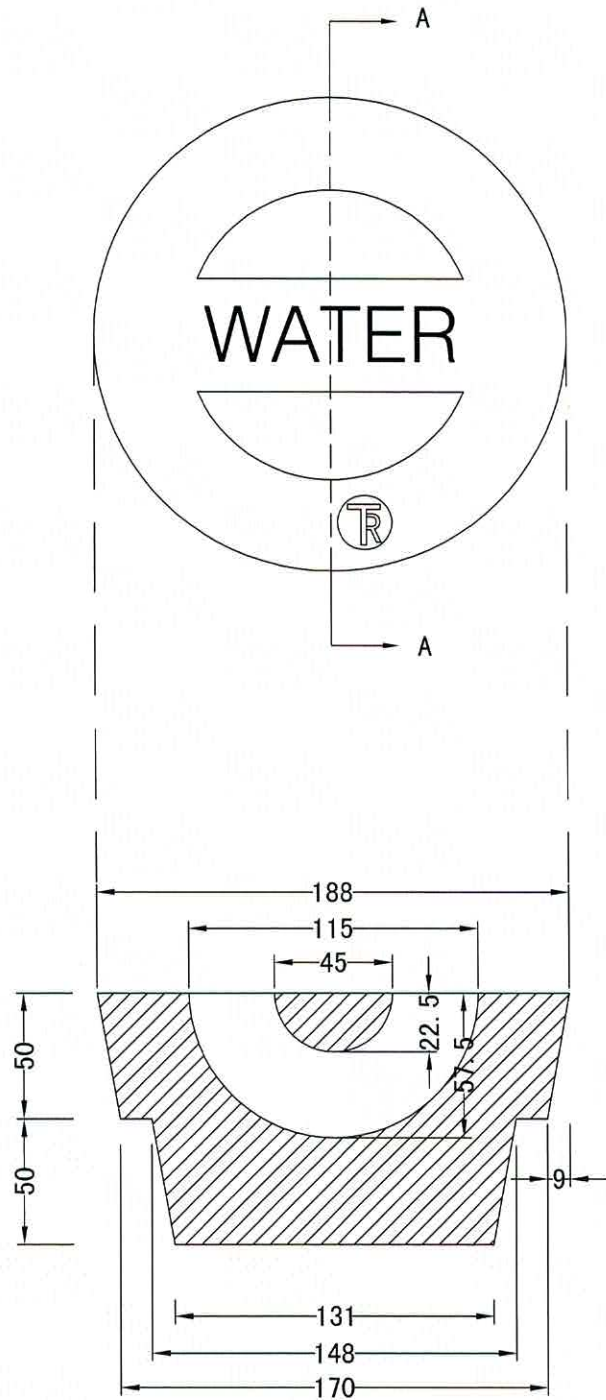
FINISH:BITUMINOUS DIP

PAINTING:H20

WESTVIEW SALES LTD.

TYPE "A" 4FT  
VALVE BOX BODY

RB-48U/BOX BODY



SECTION A-A

NOTES:  
 MAT'L:ASTM A48 CLASS 25 GREY IRON  
 FINISH:BITUMINOUS DIP  
 .LOADING:H2O

WESTVIEW SALES LTD.	LETHBRIDGE VALVE BOX LID	TYPE A VB LID
---------------------	-----------------------------	---------------