



HYMAX GRIP[®]

LARGE DIAMETER[❖]

(14"-16")

HYMAX[®]
Repair the past. Connect the future.

PRODUCT SPECIFICATIONS

FEATURES

- THE FIRST RESTRAINT PRODUCT OF ITS SIZE WITH ONLY FOUR TOP-FACING BOLTS AND A STAB-FIT, ONE PIECE DESIGN- FOR FASTER AND SAFER INSTALLATION
- EXERTS GRIPPING POWER EQUAL TO 55 TONS ON CONNECTING PIPES
- RESTRAINS BOTH PLASTIC AND METAL PIPES, INCLUDING HDPE, AND REPLACES THE NEED TO USE DEDICATED PRODUCTS
- PATENTED GRIP CHAIN OFFERS CIRCULAR RESTRAINT AROUND THE PIPE
- PATENTED RADIAL CLOSING MECHANISM HOLDS PIPES TIGHTLY IN PLACE DURING INSTALLATION
- ALLOWS DYNAMIC DEFLECTION OF THE PIPE FOR UP TO 4° PER SIDE, REDUCING FUTURE PIPE CRACKS AND BREAKS

SPECIFICATIONS

STANDARDS

HYMAX GRIP LARGE DIAMETER MEETS OR EXCEEDS STANDARDS
AWWA C-219, NSF 61, NSF 372.

SIZE

AVAILABLE IN NOMINAL DIAMETER 14"-16"

MATERIALS

END RINGS

DUCTILE IRON CASTING ASTM A536 GRADE 65-45-12.

CENTER RING

DUCTILE IRON CASTING ASTM A536 GRADE 65-45-12.

GASKETS

EPDM COMPOUNDED FOR WATER AND SEWAGE, MEET INTERNATIONAL STANDARDS FOR CONTACT WITH DRINKING WATER.

GRIP CHAIN

GRIPPING TEETH: Fe2Ni

BRIDGE

AISI 304 STAINLESS STEEL.

SPHERICAL SPACERS

AISI 304 STAINLESS STEEL.

COATING

100% FUSION BONDED EPOXY FOR ENHANCED CORROSION PROTECTION.
AVERAGE THICKNESS 14 MIL.

NUTS, BOLTS & WASHERS

AISI 304 STAINLESS STEEL. ROLLED THREAD AND ANTI-GALLING COATING.

PRODUCT PERFORMANCE (**)

WORKING TEMPERATURE

EPDM: -20°F UP TO +125°F

DYNAMIC DEFLECTION

UP TO 4° PER SIDE

MIN. PIPE INSERTION

5.9"

* REGISTERED PATENT

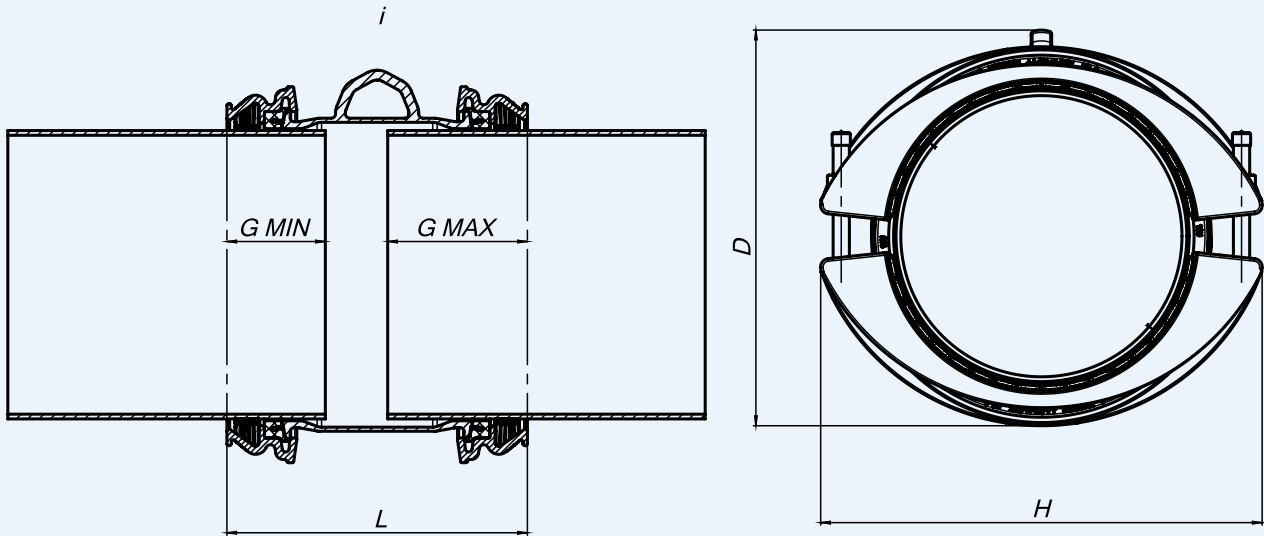
** SEE SUBMITTAL DRAWINGS FOR DETAILS.

MAXIMUM OFFSET FOR MISALIGNED PIPES	0.25"
MAXIMUM OUT OF ROUNDNESS	0.16"
VACUUM TEST	12 PSI
PRESSURES & ΔT	

ΔT - HDPE pipe expands and contracts with changes in temperature and exerts large pull-load forces on the coupling. ΔT for HDPE pipe is the change in temperature the coupling can withstand when installed on HDPE pipe.

	14"	16"
WORKING PRESSURE (PSI)	250	250
RATED PRESSURE (PSI)	500	500
ΔT for HDPE PIPE SDR 9 ($^{\circ}F$)	50	50

PRODUCT TABLE



Krausz Part Number	Nominal Diameter (inch)	Overall Range (inch)	L (inch)	D (inch)	H (inch)	G - Max Stab Depth (inch)	G-Min Stab Depth (inch)	Bolts Qty. -Size	Torque (Ft-Lb)	Approx. Weight (Lbs)
890-56-14384-17	14	15.12-15.75	18.6	22.2	25	8.3	5.9	4-1"	350	224
890-56-16438-17	16	17.25-17.88	18.6	24.3	27.1	8.3	5.9	4-1"	350	251