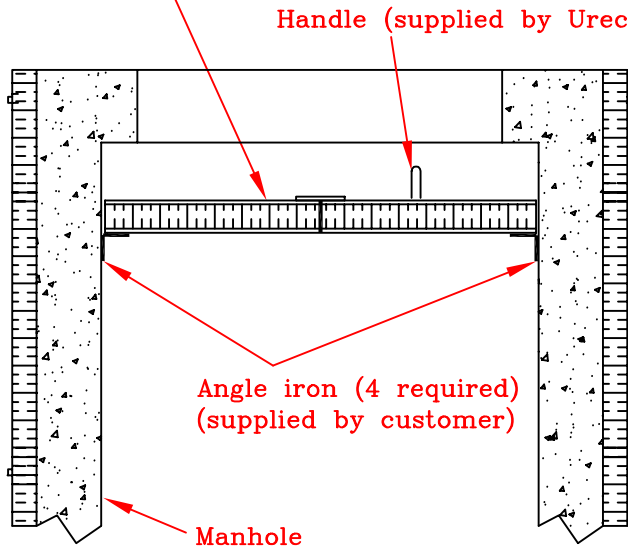
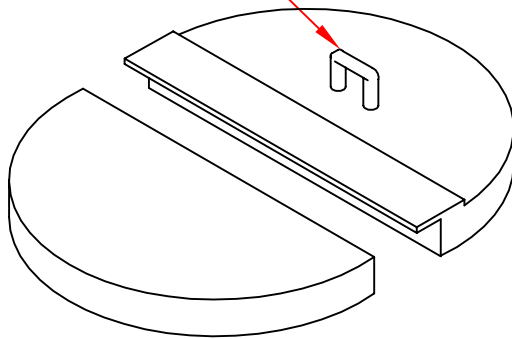


2 piece Frost Cover with polymer coating & handle

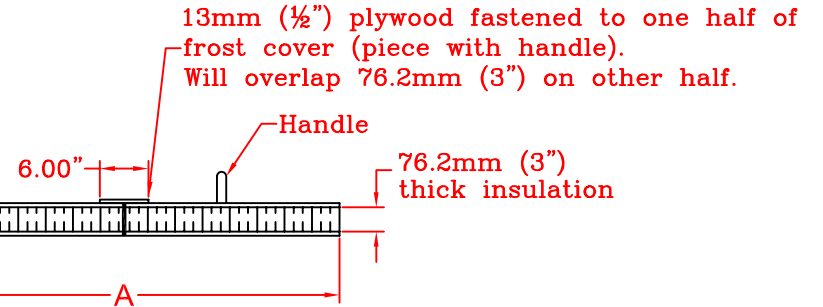


Handle (supplied by Urecon)



2 piece Frost Cover with polymer coating & handle

13mm($\frac{1}{2}$ ") thick plywood



Dimension A = Varies to suit manhole's inside diameter
CUT VIEW

SPECIFICATIONS

Frost covers shall consist of rigid polyisocyanurate or polyurethane foam insulation reinforced with plywood sheets and a fully bonded polymer protective coating on all surfaces:

- i) Rigid Polyisocyanurate or polyurethane foam
 - .1 Density: (ASTM D1622) 32 kg/m³ (2.0 lbs/ft³).
 - .2 Compressive strength: (ASTM D1621) 124 to 186 kPa (18 to 27 lbs/in²).
 - .3 Closed cell content: 90%, minimum.
 - .4 Water absorption: (ASTM C272) 2.0% by volume.
 - .5 K factor: (ASTM C 518) 0,027 W/m²C, (0.19 Btu in/ft² hr °F).
 - .6 Thickness of insulation: 76,2 mm (3 in)
- ii) Polymer Coating, Urecon BL-70-70EP
 - .1 Two component high density polyurethane coating, black in color.
 - .2 Density: 1170 kg/m³ (73 lbs/ft³).
 - .3 Durometer D scale 60.
 - .4 Tensile strength: 11,100 kPa (1610 lbs/in²).
 - .5 Tear strength: 26,5 N/mm (151 lbs/in).
 - .6 Thickness: 1,78mm (70mils) all surfaces.



Coteau-du-Lac, Québec Tél. : (450) 455-0961
Calmar, Alberta Tel. : (780) 985-3636
urecon@urecon.com • www.urecon.com

DESCRIPTION:

Urecon frost cover - type 2
for manholes smaller than
900 mm (35.4 in)

Format	Specification number :	REV
	EN-DS-17E-150731	1
Scale :	31-Jul-2015	Dwg # : URE-FC2