

AMERICAN AVK RESILIENT SEATED GATE VALVE
250 PSI, Tested to AWWA C515 (NRS), Bypass Assembly
Flanged & Mechanical Joint Ends - Valve Sizes 18" - 24"

55/7X
BYPASS

Use:

For water and neutral liquids to maximum 160°F.

Tests:

Hydraulic test to AWWA C515:

Shell Test: 500 PSI

Seat Test: 250 PSI

Options:

Horizontal & Vertical Mounting

Handwheel

Electric Actuator

Bevel Gear

Spur Gear

Series 45 Bypass valve

OS&Y Bypass valve

Standard Materials:

Spool Pieces,
Elbows

Ductile iron ASTM A536

Coating

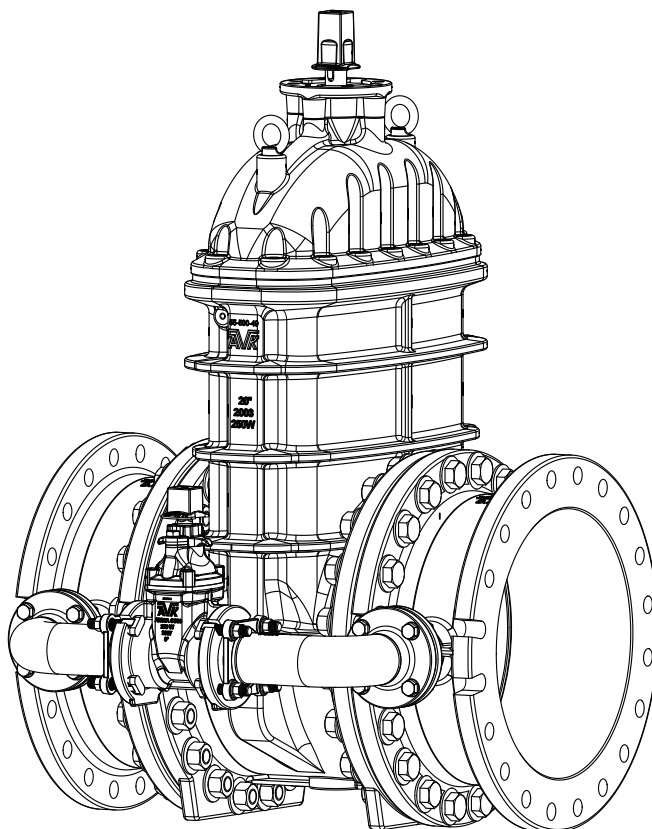
Electrostatically applied fusion-
bonded epoxy-resin
Meets or exceeds AWWA C550

Bolts

Stainless Steel -304

Bypass Valve

Series 25



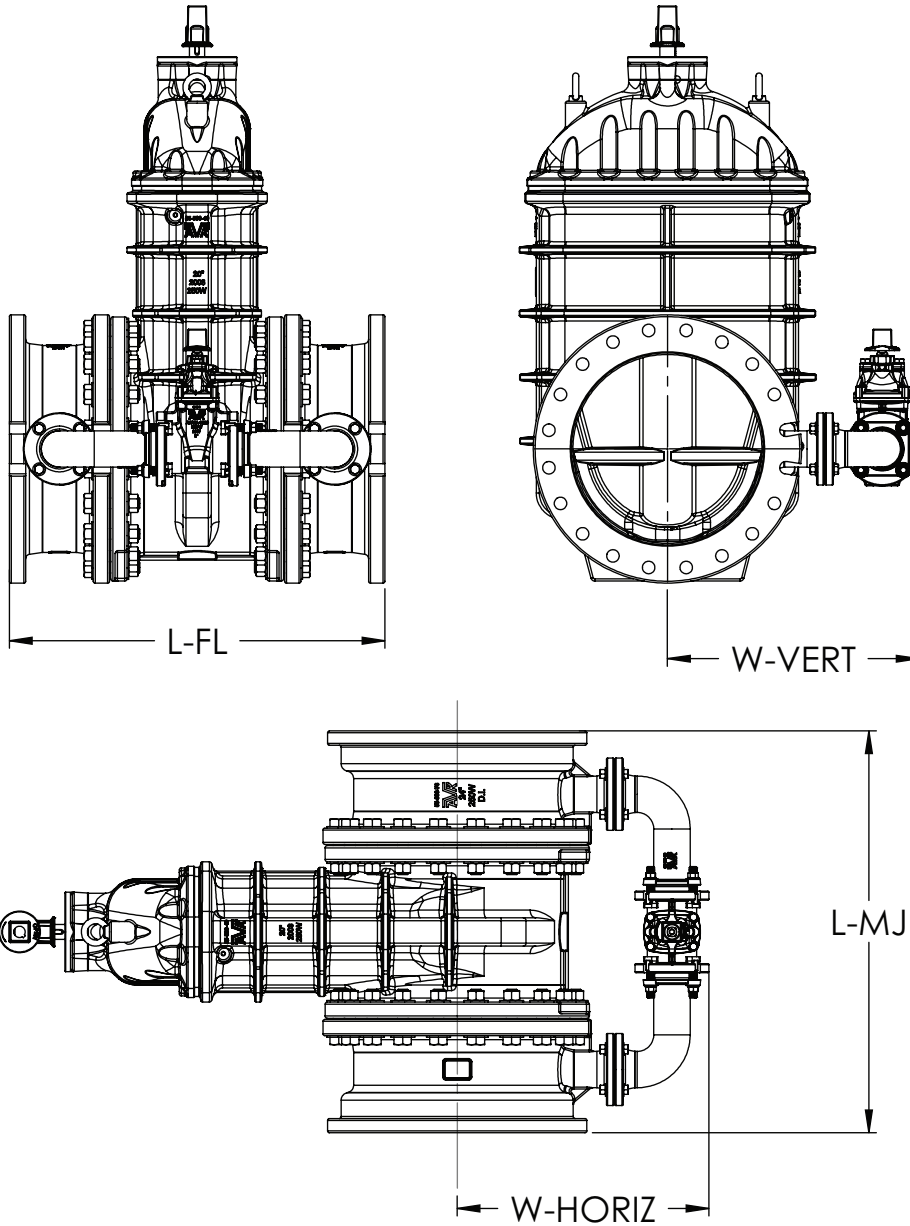
AMERICAN AVK RESILIENT SEATED GATE VALVE
250 PSI, Tested to AWWA C515 (NRS), Bypass Assembly
Flanged & Mechanical Joint Ends - Valve Sizes 18" - 24"

55/7X
BYPASS

Component List:

250. Spool Piece

251. Elbow



Ref. nos	Size	L-FL	L-MJ	W-(VERT) W-(HORIZ)	Bypass Valve Size
55-450-7X	18"	35.75"	39..30"	25.00"	3"
55-500-7X	20"	39.12"	41.87"	26.20"	3"
55-600-7X	24"	43.87"	46.25"	30.25"	4"

Note: X = 7 (Flanged x Flanged Spools) X = 8 (Flanged x MJ Spools)
 X = 9 (MJ x MJ Spools)

