

AMERICAN AVK RESILIENT SEATED DUCTILE IRON GATE VALVE
Tested to AWWA C509 / C515 (NRS) for Indicator Post
Push-on Joint End x Push-on Joint End (TYTON) - Valve sizes 4" - 12" and 16"

45/PPP
POxPO PIV

Use:

For water and neutral liquids to maximum 160°F.

Tests:

Hydraulic test to AWWA C509:

Shell Test: 500 PSI 4"-16"

Seat Test: 250 PSI 4"-16"

Operating Torque Test

Optional Materials:

Stem 4"-12" only
 Stainless steel AISI 430F
 Stainless steel AISI 304
 Stainless steel AISI 316

Bolting Stainless steel AISI 316,
 Zinc Plated steel

Standard Materials:

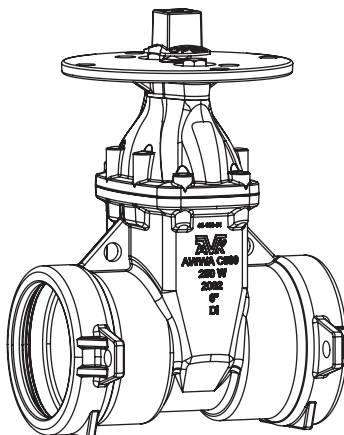
Body, Bonnet, Post Indicator Plate, Wrench Nut	Ductile iron ASTM A536 (Wrench Nut-painted black for open left, red for open right)
Coating	Electrostatically applied fusion- bonded epoxy-resin Meets or exceeds AWWA C550
Stem	4"-12" Standard: Low Zinc Bronze ASTM B763 16" Standard: Aluminum Bronze ASTM B150/B150M
Anti Friction Washers	Polyamide
Wedge	Ductile iron ASTM A536 encapsulated with EPDM-rubber compound
Wedge Nut, Thrust Collar	Bronze
Bonnet Bolts	Stainless Steel - 304 sealed with hot melt Grade 8 steel for 16" sealed with hot melt
Gland Bolts	Stainless Steel - 304 Hexagon bolt
Bonnet Gasket, Wiper Ring, O-Ring Stem Seals, O-Ring Gland Seal	ASTM D2000 Buna "N" nitrile rubber

Approvals:



*UL/ULC Listed
 *FM Approved
 Certified to: ANSI/NSF 61, ANSI/NSF 372

* Approved at 250 PSI working pressure, 4"-12"
 * Approved at 200 PSI working pressure, 16"

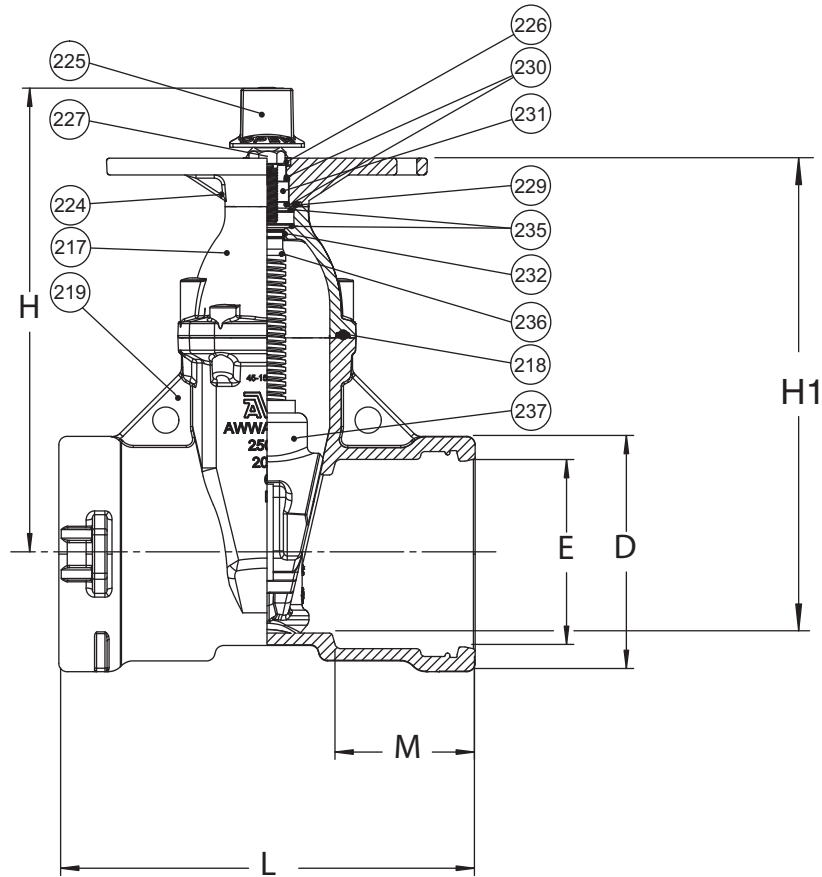


AMERICAN AVK RESILIENT SEATED DUCTILE IRON GATE VALVE
Tested to AWWA C509 / C515 (NRS) for Indicator Post
Push-on Joint End x Push-on Joint End (TYTON) - Valve sizes 4" - 12" and 16"

45/PPP
POxPO PIV

Component List:

217. Bonnet	226. Wiper Ring	232. Lower Stem Seal O-Ring
218. Bonnet Gasket	227. Gland Flange Bolt	235. Anti-Friction Washer
219. Body	229. Gland O-Ring	236. Low Zinc NRS Stem
224. Post Indicator Plate	230. Upper Stem Seal O-Rings	237. Wedge
225. Wrench Nut	231. Stem Seal Bushing	



Ref No.	Size	D	E	H	H1	L	M	Turns to Open	Weight (lbs.)
45-100-PPP	4"	6.66"	4.93"	13.50"	13.00"	11.99"	4.12"	14	77
45-150-PPP	6"	8.84"	7.03"	17.50"	18.00"	15.63"	5.22"	20	117
45-200-PPP	8"	11.23"	9.18"	21.50"	23.00"	17.17"	5.63"	26	177
45-250-PPP	10"	13.50"	11.22"	24.75"	27.00"	17.64"	5.63"	32	247
45-300-PPP	12"	15.74"	13.32"	27.75"	31.00"	19.21"	5.63"	38	411
45-400-PPP	16"	20.62"	17.50"	35.47"	42.00"	22.72"	6.00"	51	1002

