

**AMERICAN AVK RESILIENT SEATED DUCTILE IRON GATE VALVE 250 PSI (PN16), Tested to AWWA C509 / C515 (NRS) Flanged Ends to ASME B16.42 Class 150 - Valve sizes DN065 - DN400**

**45/FFN  
FLxFL**

**Use:**

For water and neutral liquids to maximum 160°F.

**Tests:**

Hydraulic test to AWWA C509:

Shell Test: 500 PSI (34.5 Bar)

Seat Test: 250 PSI (17.3 Bar)

Operating Torque Test

**Optional Materials:**

Stem For UL, FM, ULC for DN065-DN300  
Low Zinc Bronze ASTM B763

For UL, FM, ULC for DN350-DN400  
Aluminum Bronze ASTM B150/B150M

Anti Friction Washers Polyamide

Bolting ASTM A164 zinc coated steel ,  
Stainless Steel - 316

**Standard Materials:**

Body, Bonnet, Ductile iron ASTM A536  
Gland Flange, (Wrench Nut-painted black for  
Wrench Nut open left, red for open right)

Coating Electrostatically applied fusion-  
bonded epoxy-resin  
Meets or exceeds AWWA C550

Stem Standard: Stainless steel  
ASTM A582

Wedge Ductile iron ASTM A536  
encapsulated with EPDM-rubber  
compound

Wedge Nut, Thrust Collar Bronze  
Bonnet Bolts Stainless Steel - 304 for DN065-  
DN200 sealed with hot melt  
Grade 8 Steel for DN250-DN400  
sealed with hot melt

Gland Bolts Stainless Steel - 304  
Hexagon bolt

Bonnet Gasket, ASTM D2000 Buna "N" nitrile  
Wiper Ring, rubber  
O-Ring Stem Seals,  
O-Ring Gland Seal

**Approvals:**



\*UL/ULC Listed

\*FM Approved

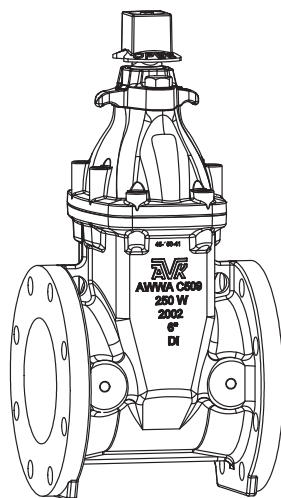
Certified to: ANSI/NSF 61, ANSI/NSF 372

Certified to  
NSF/ANSI 61

Certified to  
NSF/ANSI 372

\* Approved at 250 PSI, (17.3 Bar) working pressure, DN065-DN300

\* Approved at 200 PSI, (13.8 Bar) working pressure, DN350-DN400

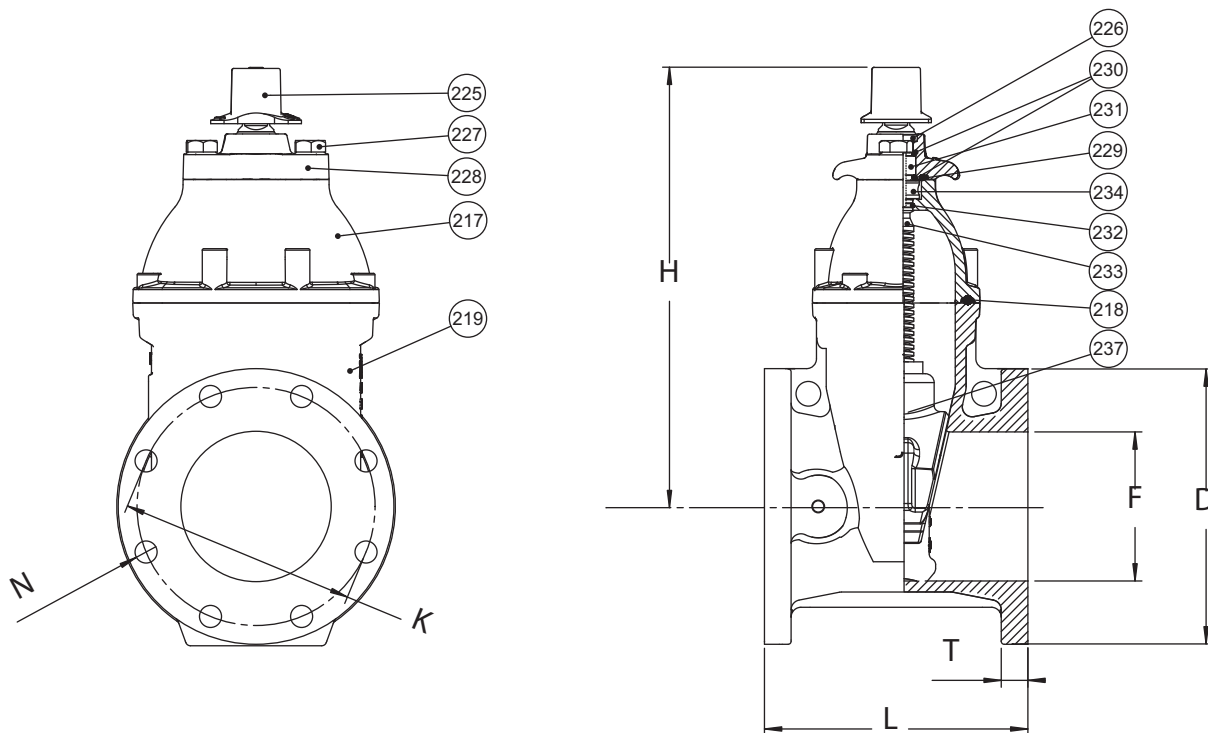


**AMERICAN AVK RESILIENT SEATED DUCTILE IRON GATE VALVE 250 PSI (PN16), Tested to AWWA C509 / C515 (NRS) Flanged Ends to ASME B16.42 Class 150 - Valve sizes DN065 - DN400**

**45/FFN  
FLxFL**

**Component List:**

- |                    |                              |                             |
|--------------------|------------------------------|-----------------------------|
| 217. Bonnet        | 227. Gland Flange Bolt       | 232. Lower Stem Seal O-Ring |
| 218. Bonnet Gasket | 228. Gland Flange            | 233. NRS Stem               |
| 219. Body          | 229. Gland O-Ring            | 234. Thrust Collar          |
| 225. Wrench Nut    | 230. Upper Stem Seal O-Rings | 237. Wedge                  |
| 226. Wiper Ring    | 231. Stem Seal Bushing       |                             |



Ref No.	DN	D	F	H	K	L	N	T	Flange Holes	Turns to Open	Weight (lbs.)
45-065-FFN	065	177.8	65.0	307.1	139.7	190.5	19.0	18.0	4	12	18
45-080-FFN	080	190.5	80.0	307.1	152.4	203.2	19.0	20.1	4	12	19
45-100-FFN	100	228.6	100.0	342.9	190.5	228.6	19.0	25.4	8	14	29
45-150-FFN	150	279.4	150.0	444.5	241.3	266.7	22.4	26.9	8	20	44
45-200-FFN	200	342.9	200.0	546.1	298.5	292.1	22.4	29.0	8	26	70
45-250-FFN	250	406.4	250.0	628.7	362.0	330.2	25.4	31.0	12	32	122
45-300-FFN	300	482.6	300.0	701.8	431.8	355.6	25.4	33.0	12	38	186
45-350-FFN	350	532.9	350.0	908.1	476.3	381.0	28.7	30.0	12	51	282
45-400-FFN	400	596.9	400.0	882.4	539.8	406.4	28.7	36.6	16	51	359

