

# AMERICAN AVK HIGH PRESSURE, 250 PSI, NOSTALGIC, DRY BARREL HYDRANT

27N/PHH/NG  
NOSTALGIC

Meets or exceeds AWWA C502 (latest) - Working Pressure - 250 PSI

Inlet Bases: Flanged in accordance with ANSI B16.1 Class 125,

Mechanical and Push-On Joint in accordance with ANSI/AWWA C111/A21.11

**Use:**

For water and neutral liquids to maximum 160°F.

**Tests:**

Hydraulic test to AWWA C502:

Seat Test: 500 PSI

**Approvals:**

UL/ULC Listed,

FM Approved

Certified to:

NSF/ANSI 61

NSF/ANSI 372



**Components:**

Nozzle Section, Bonnet, Barrels, Standpipe Flanges,  
Breakable Flange, Main Valve Flange, Base, Monitor Elbow

Caps, Weathershield

Nozzles, Valve Seat Ring, Drain Ring  
Operating Nut, Thrust Nut

Brass Fittings, Brass Plugs

Main Valve

Stem Rod Couplings, Lock Rings, Nozzle Retaining  
Screw, Lock Plate, Lock Plate Screw, Stop Pins,  
Coupler Pins, Main Valve Retaining Pin, Spring Pins,

Coating

Stop Nut, Chain Set, Hardware

Barrel Gasket, Cap Gasket, O-rings

Lubrication Hole Seal

Anti-Friction Washer

Base Elbow / Inlet Configuration

6" MJ

4" MJ

8" MJ\*

**Standard:**

Ductile Iron ASTM A536

Cast Iron ASTM A126 Class "B"

Bronze

Brass

Ductile iron core, fully encapsulated with EPDM rubber.

Stainless Steel

Above ground - Fusion bonded epoxy inside and out. Below  
ground - Bitumen/Fusion bonded epoxy. Epoxy meets or  
exceeds AWWA C550 (latest)

Zinc Plated Steel

NBR - ( Barrel Gasket with 304 stainless insert )

Oil Resistant Rubber

Polyamide

6" Flanged

4" Flanged

Straight Flanged 6"

6" Push-on

4" PE\*

6" PE\*

\*Not UL/ULC Listed or FM Approved

**Optional Materials:**

Hardware

Upper Stem Rod

Lower Stem Rod

Zinc Plated

304 Stainless

304 Stainless

304 Stainless

Epoxy Coated Steel

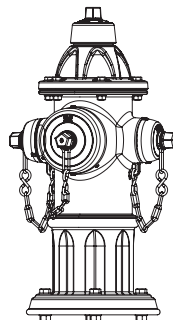
Epoxy Coated Steel

316 Stainless

Opening Direction

Open Left

Open Right



Series 27N/PHH/NG  
1 Pumper, 2 Hose Outlet



# AMERICAN AVK HIGH PRESSURE, 250 PSI, NOSTALGIC, DRY BARREL HYDRANT

27N/PHH  
NOSTALGIC

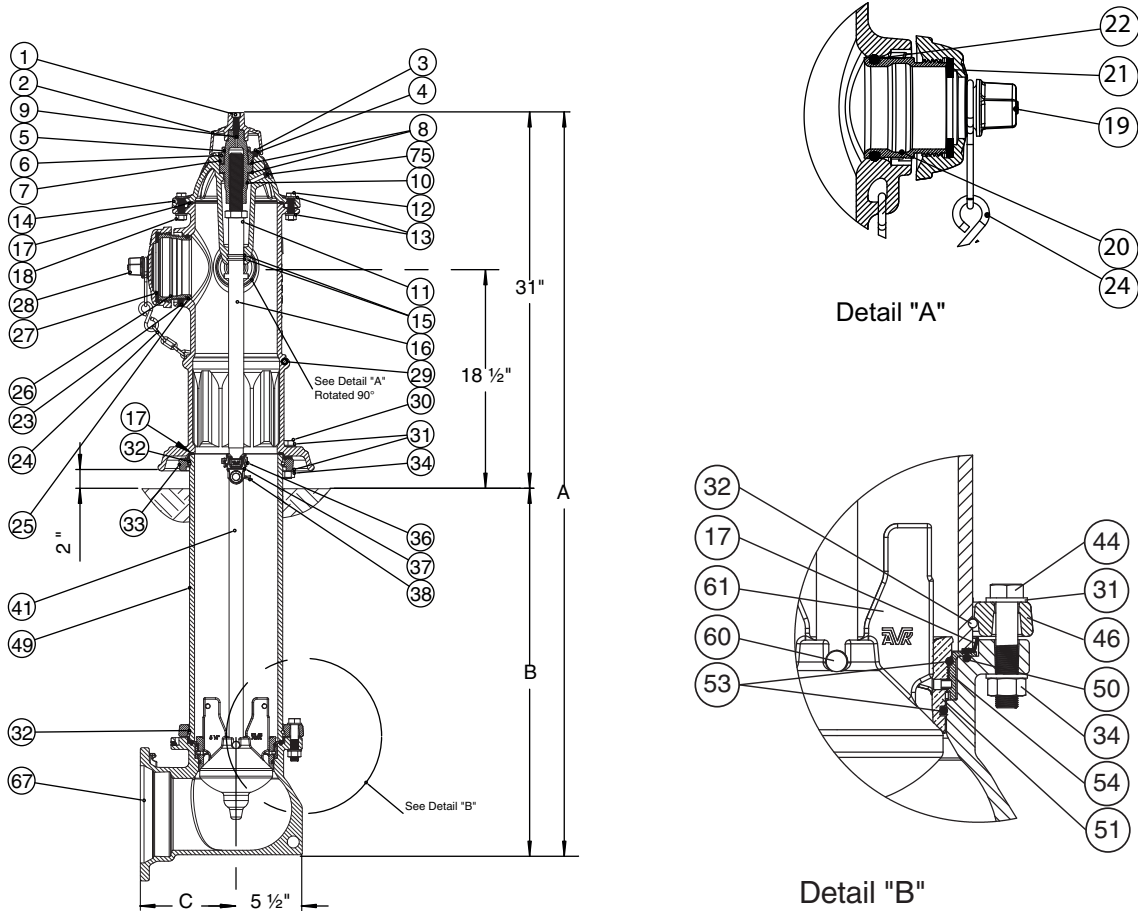
Meets or exceeds AWWA C502 (latest) - Working Pressure - 250 PSI

Inlet Bases: Flanged in accordance with ANSI B16.1 Class 125,

Mechanical and Push-On Joint in accordance with ANSI/AWWA C111/A21.11

## Component List:

- |                            |                                      |                                  |  |
|----------------------------|--------------------------------------|----------------------------------|--|
| 1. Weathershield Bolt      | 16. Upper Stem Rod                   | 31. Nozzle Section Washer        | 54. Drain Ring -Detail B               |
| 2. Weathershield           | 17. Barrel Gasket                    | 32. Lock Ring                    | 55. Brass Plug -Not shown              |
| 3. Lock Plate Screw        | 18. Bonnet Nut                       | 33. Breakable Flange             | 56. Brass Fitting -Not shown           |
| 4. Lock Plate              | 19. Hose Nozzle Cap -Detail A        | 34. Nozzle Section Nut           | 60. Main Valve Retaining Pin -Detail B |
| 5. Inner Thrust Nut O-ring | 20. Hose Nozzle -Detail A            | 36. Coupler Pin                  | 61. Main Valve Disc -Detail B          |
| 6. Thrust Nut              | 21. Hose Nozzle Cap Gasket -Detail A | 37. Breakable Stem Rod Coupling  | 62. Base Gasket -Detail B              |
| 7. Outer Thrust Nut O-ring | 22. Hose Nozzle O-ring - Detail A    | 38. Spring Pin                   | 64. Stud Bolt -Detail B                |
| 8. Anti-Friction Washer    | 23. Nozzle Retaining Screw           | 41. Lower Stem Rod               | 67. Base                               |
| 9. Lubrication Hole Seal   | 24. Chain Set -Detail A              | 44. Extension Bolt               | 75. Zerk Fitting                       |
| 10. Operating Nut          | 25. Pumper Nozzle O-ring             | 46. Standpipe Flange -Detail B   |  |
| 11. Stop Nut               | 26. Pumper Nozzle                    | 49. Lower Barrel                 |  |
| 12. Bonnet Bolt            | 27. Pumper Nozzle Gasket             | 50. Lower Barrel O-ring Detail B |  |
| 13. Bonnet Washer          | 28. Pumper Nozzle Cap                | 51. Valve Seat Ring -Detail B    |  |
| 14. Bonnet                 | 29. Nozzle Section                   | 53. Valve Seat O-ring -Detail B  |  |
| 15. Stem Seal O-rings      | 30. Nozzle Section Bolt              |                                  |  |



Ref No.	Base Sizes	Outlets	A	B*	C			
					Flanged	MJ	Push-on	PE
27N-PHH-4	- 4"	2x2½", 1x4"/4½"	49" - 247"	18" - 216"	8.00"	8.00"	N/A	23.70"
27N-PHH-6	- 6"	2x2½", 1x4"/4½"	49" - 247"	18" - 216"	8.00"	8.00"	9.00"	22.80"
27N-PHH-8	- 8"	2x2½", 1x4"/4½"	49" - 247"	18" - 216"	N/A	9.38"	N/A	N/A

\* Buries greater than 216" available upon request.

