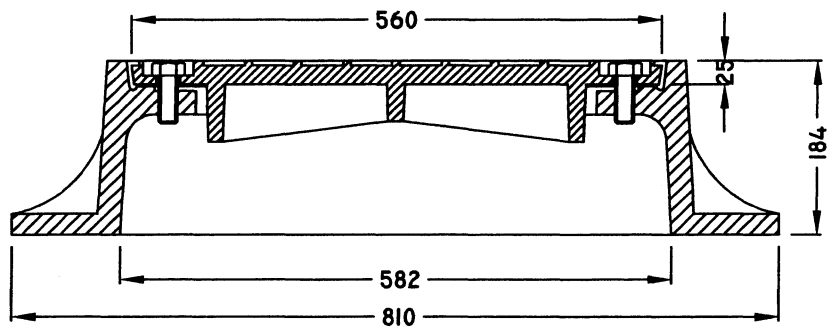
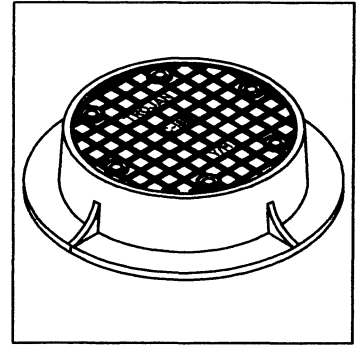
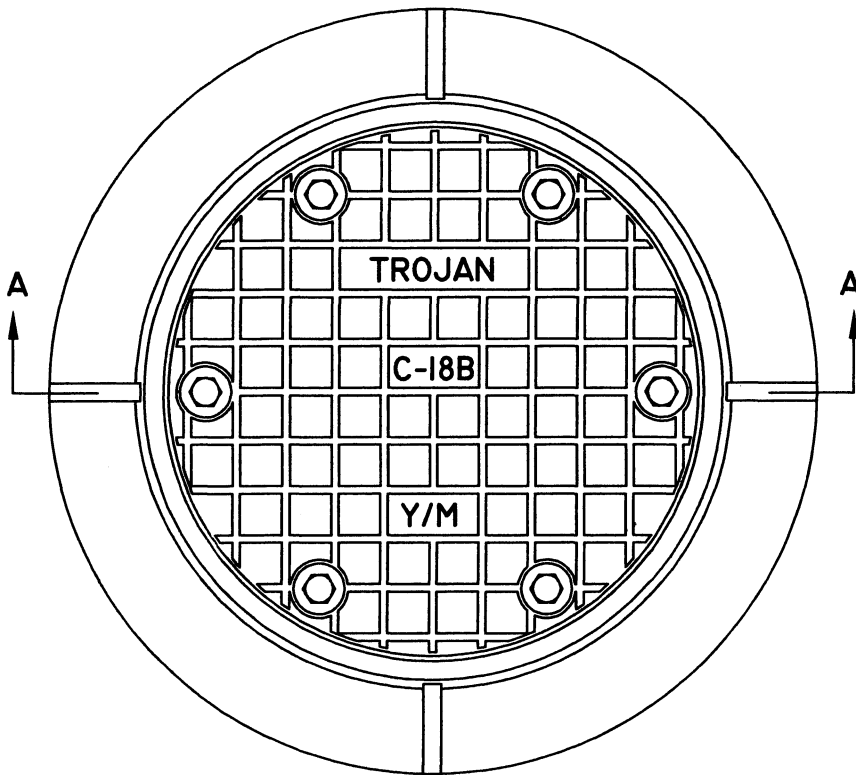


FRAME AND BOLT DOWN COVER

C-18 B

PLAN



SECTION A-A

ISO 9001-2000 CERTIFIED

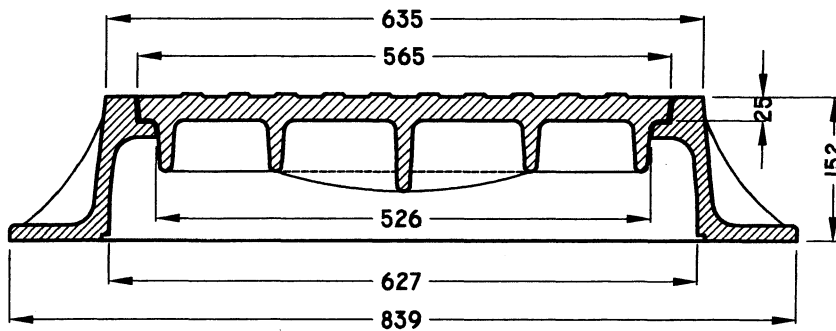
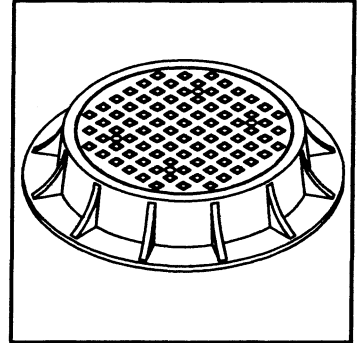
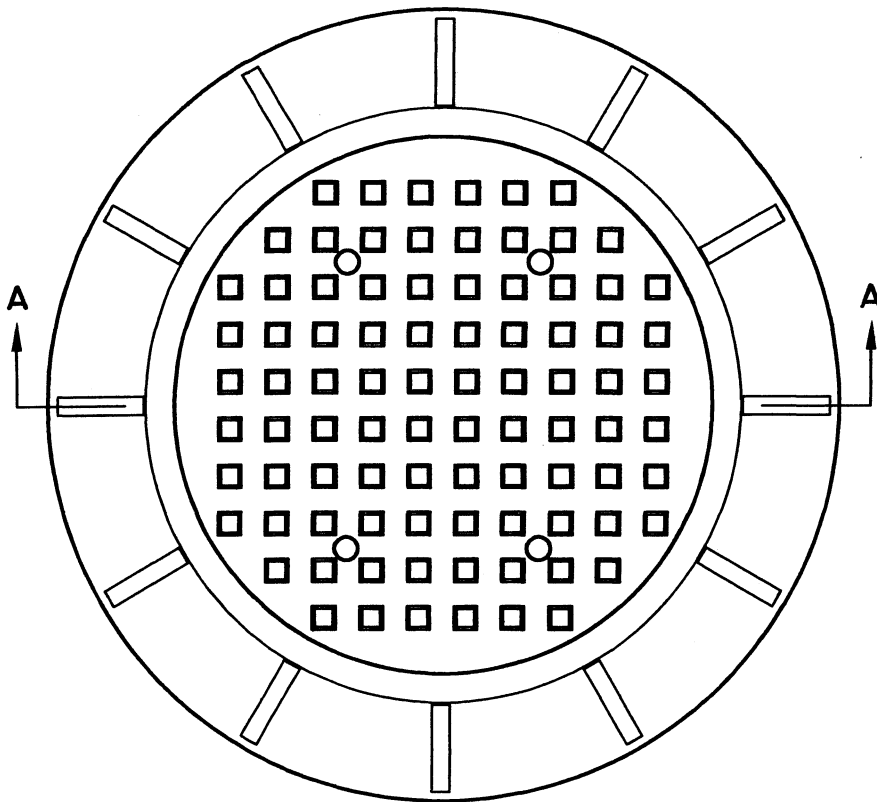
RATED FOR HS-20 LIVE LOAD

MEASUREMENTS IN MILLIMETERS

STANDARD FRAME AND SOLID COVER

TF-39

PLAN



SECTION A-A

ISO 9001-2000 CERTIFIED

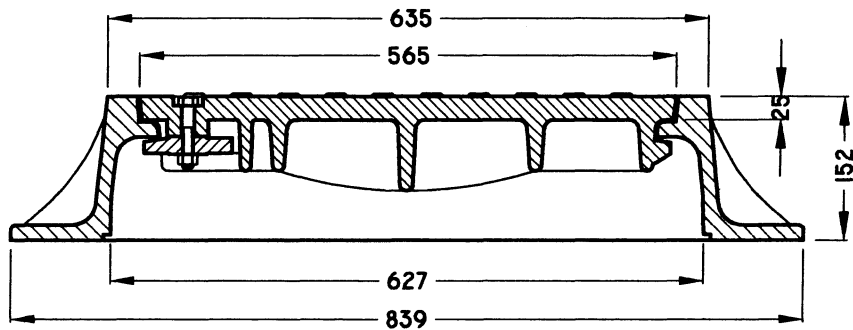
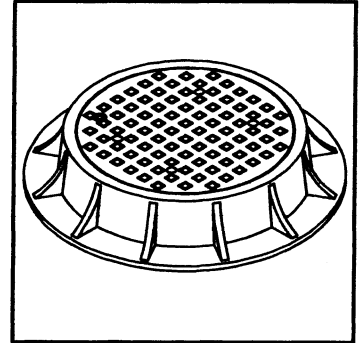
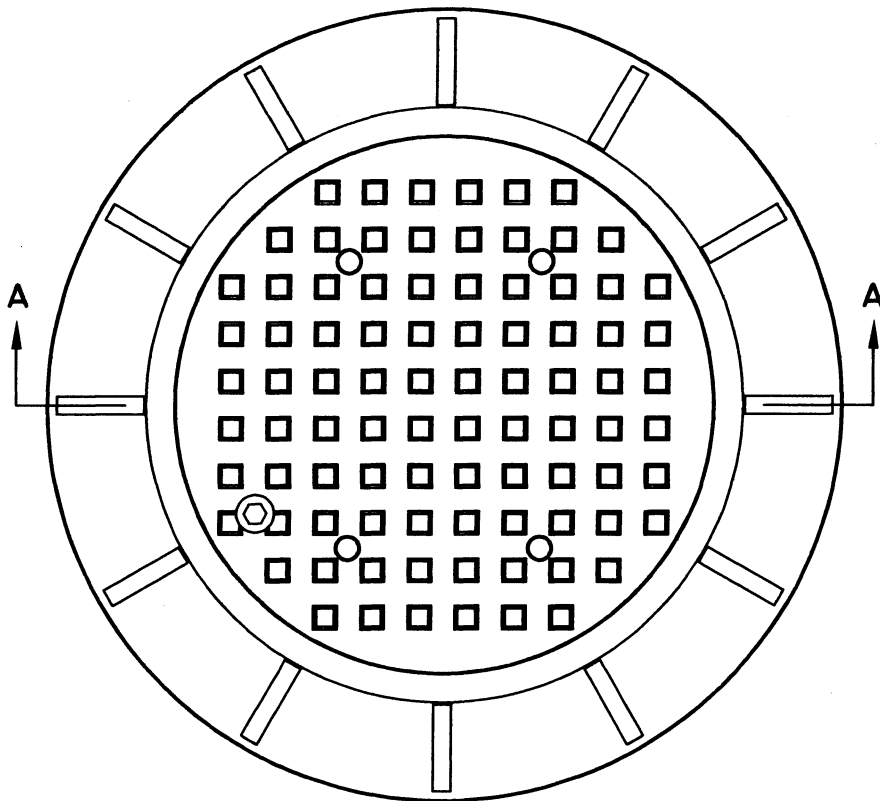
RATED FOR HS-20 LIVE LOAD

MEASUREMENTS IN MILLIMETERS

STANDARD FRAME AND LOCKING COVER

TF-39

PLAN



SECTION A-A

ISO 9001-2000 CERTIFIED

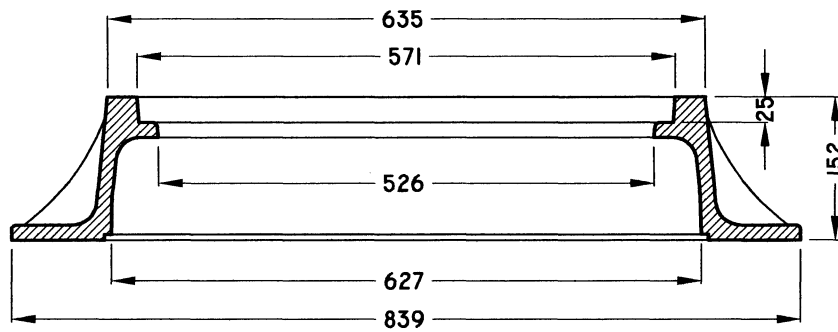
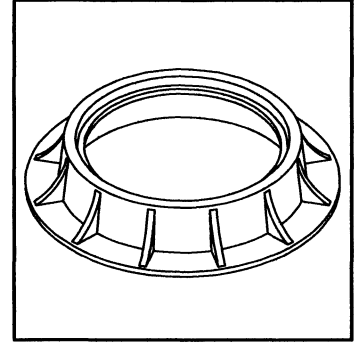
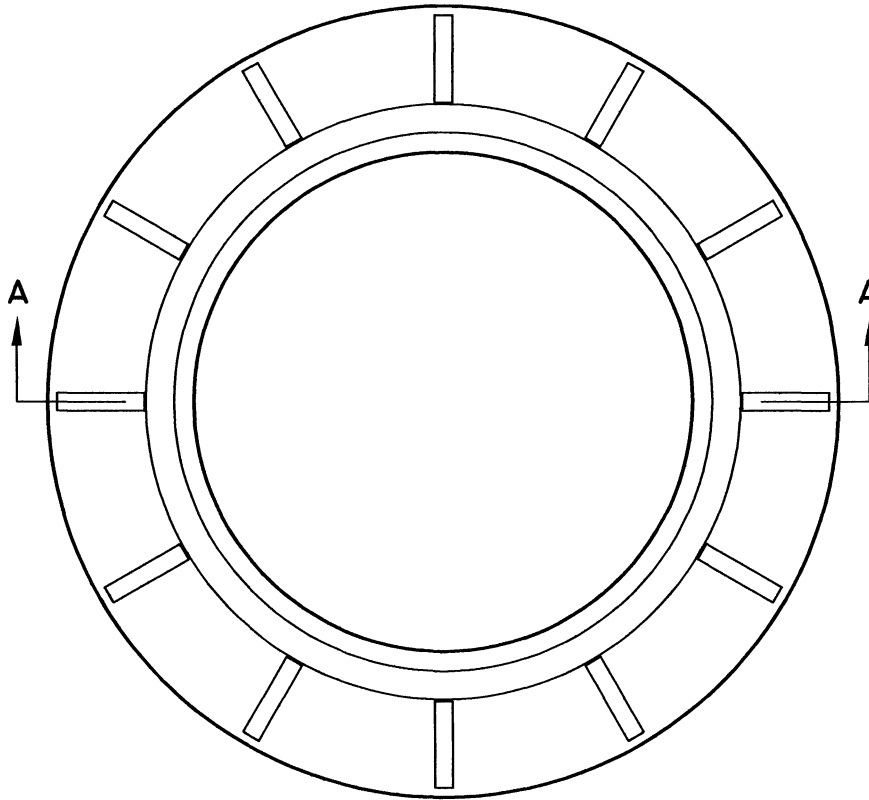
RATED FOR HS-20 LIVE LOAD

MEASUREMENTS IN MILLIMETERS

STANDARD FRAME

TF-39

PLAN

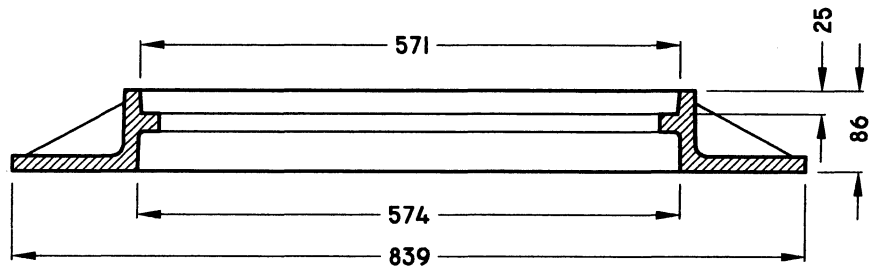
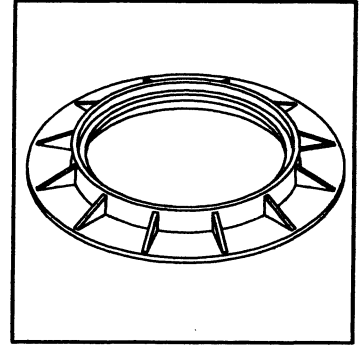
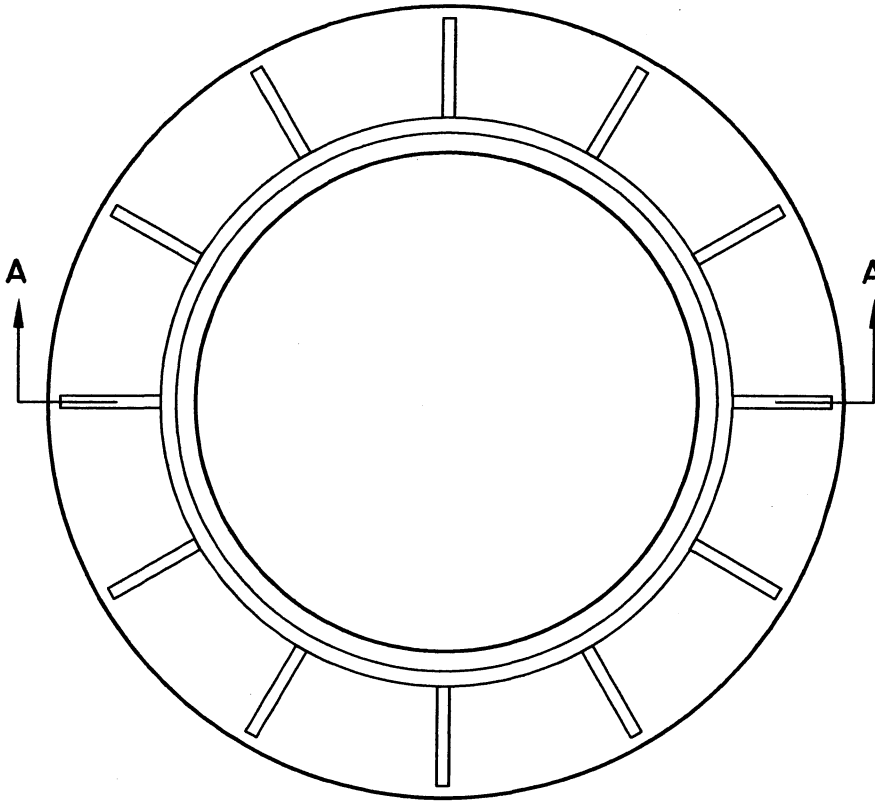


SECTION A-A

LOW PROFILE FRAME

TF-39

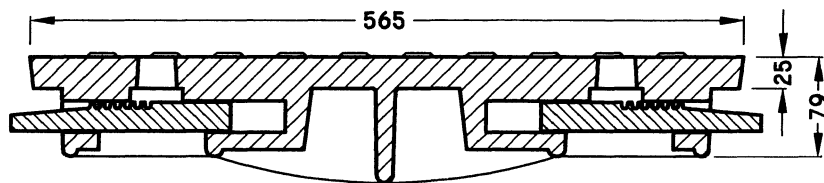
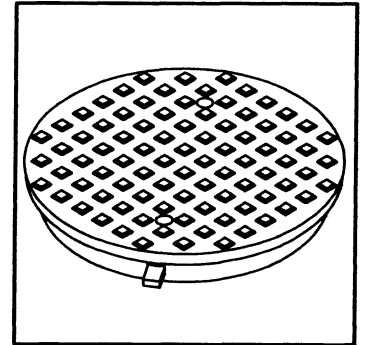
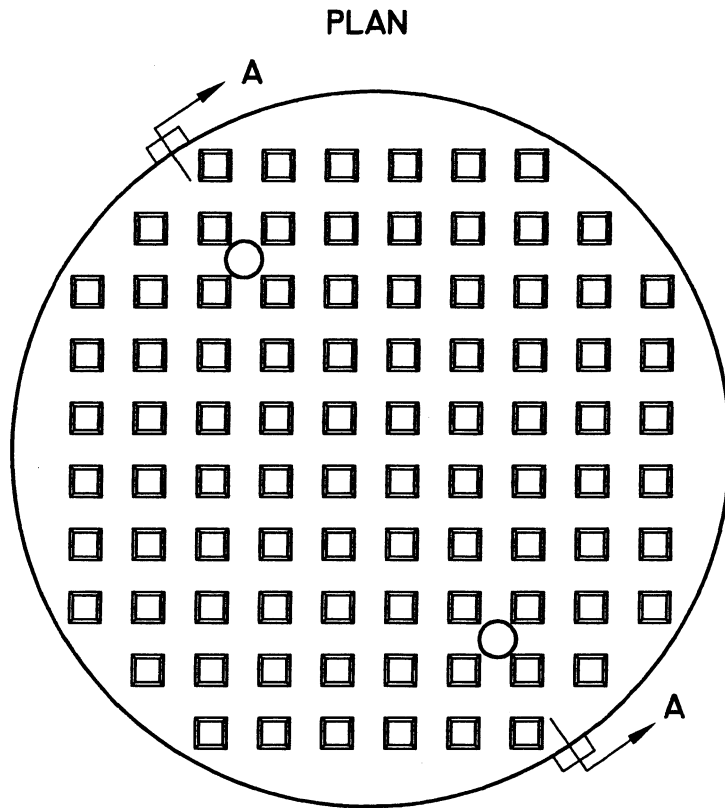
PLAN



SECTION A-A

LOCKING COVER-COUNTRY STYLE

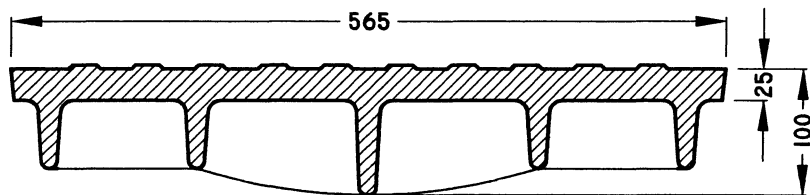
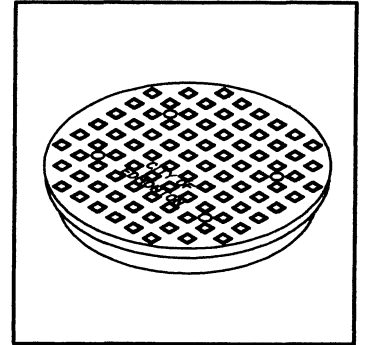
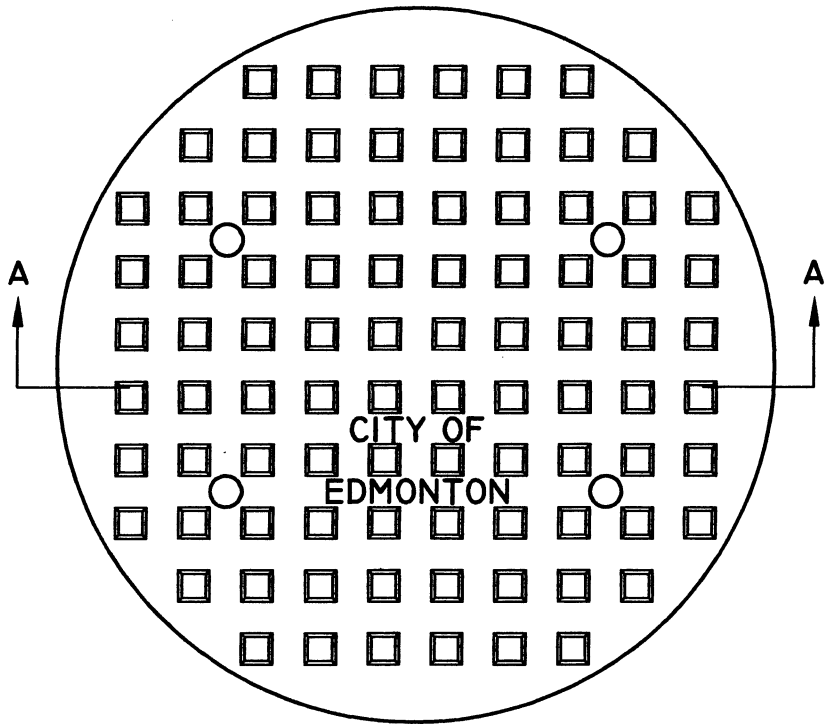
TF-39 CS



MANHOLE COVER

TF-39

PLAN

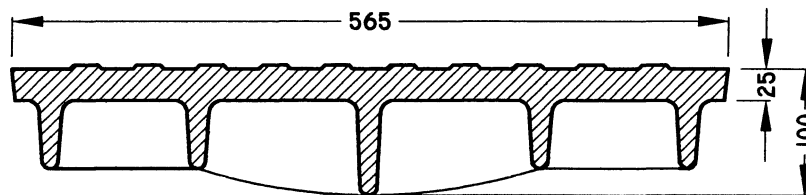
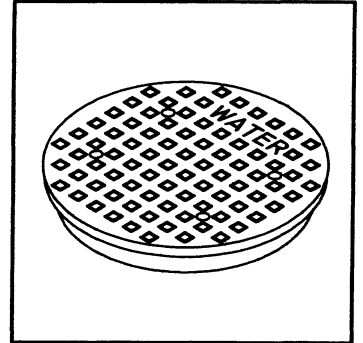
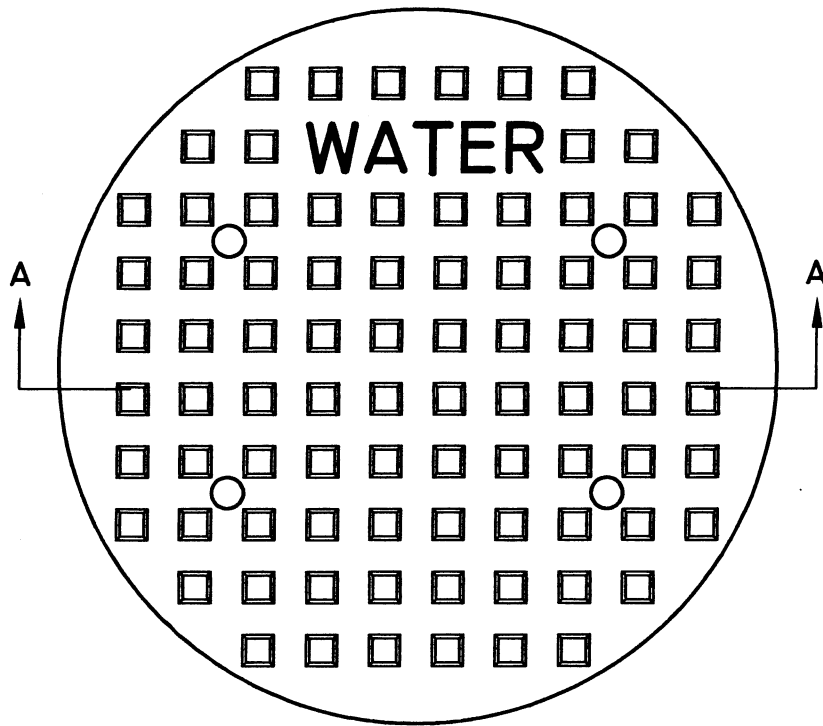


SECTION A-A

MANHOLE COVER

TF-39

PLAN

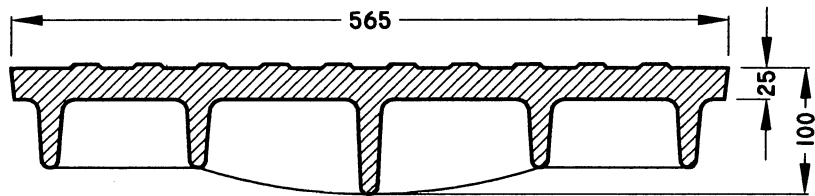
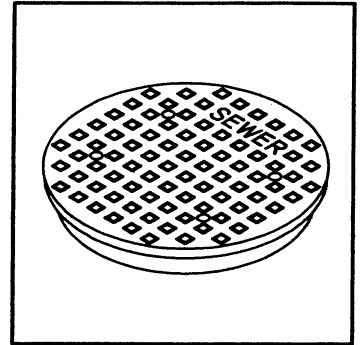
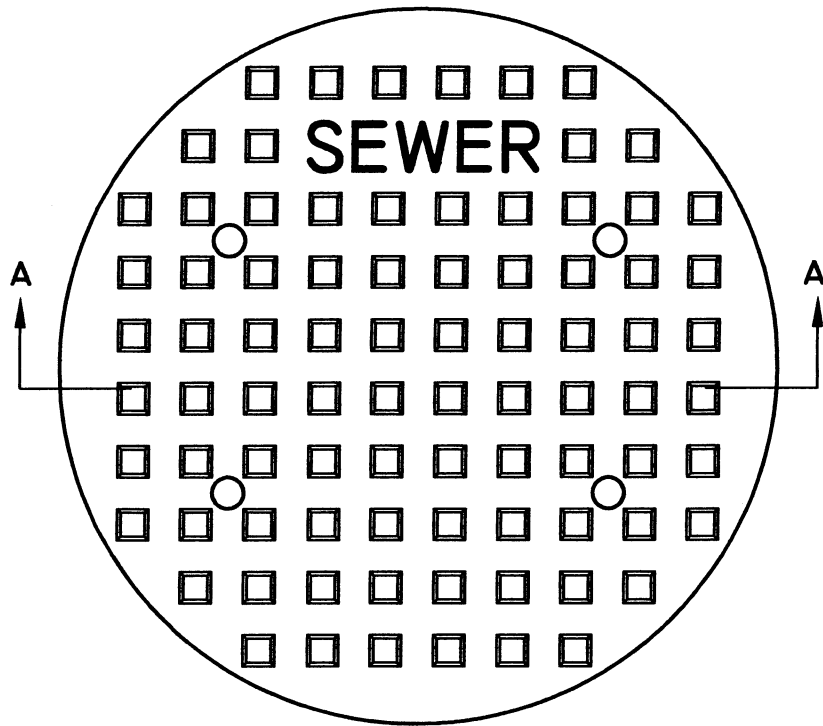


SECTION A-A

MANHOLE COVER

TF-39

PLAN

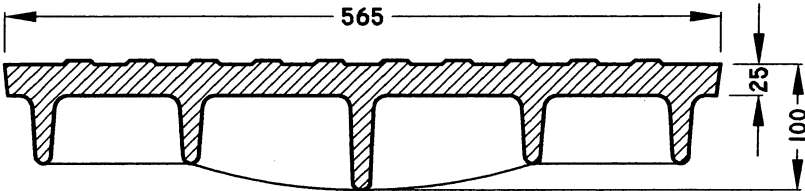
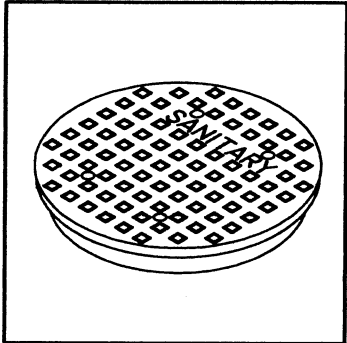


SECTION A-A

MANHOLE COVER

TF-39

PLAN

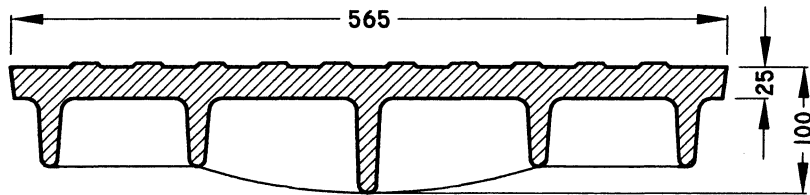
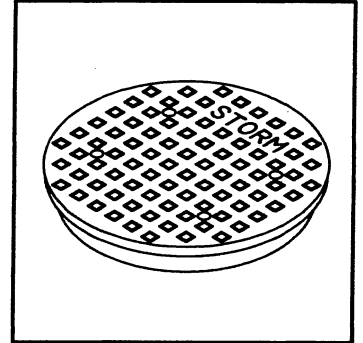
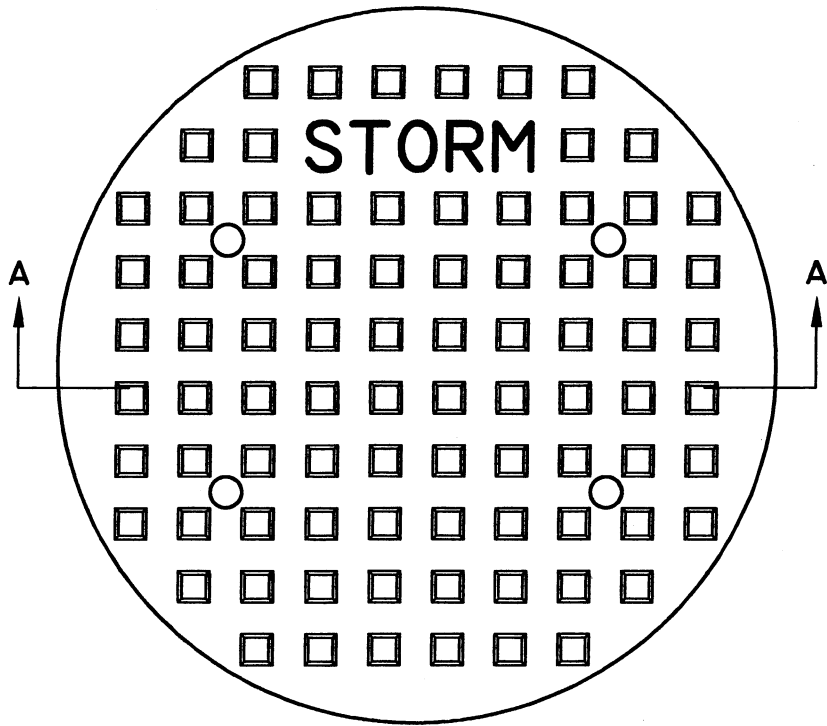


SECTION A-A

MANHOLE COVER

TF-39

PLAN

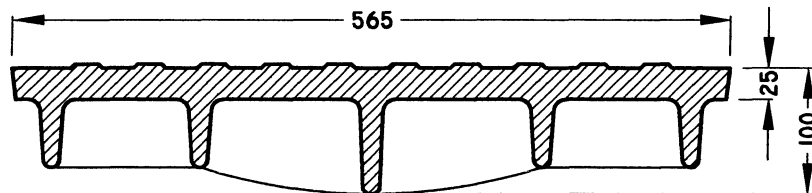
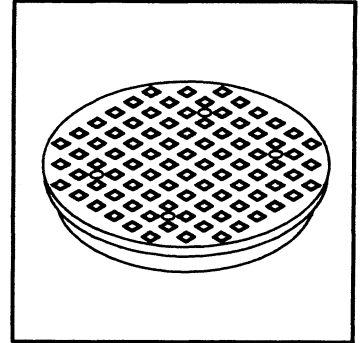
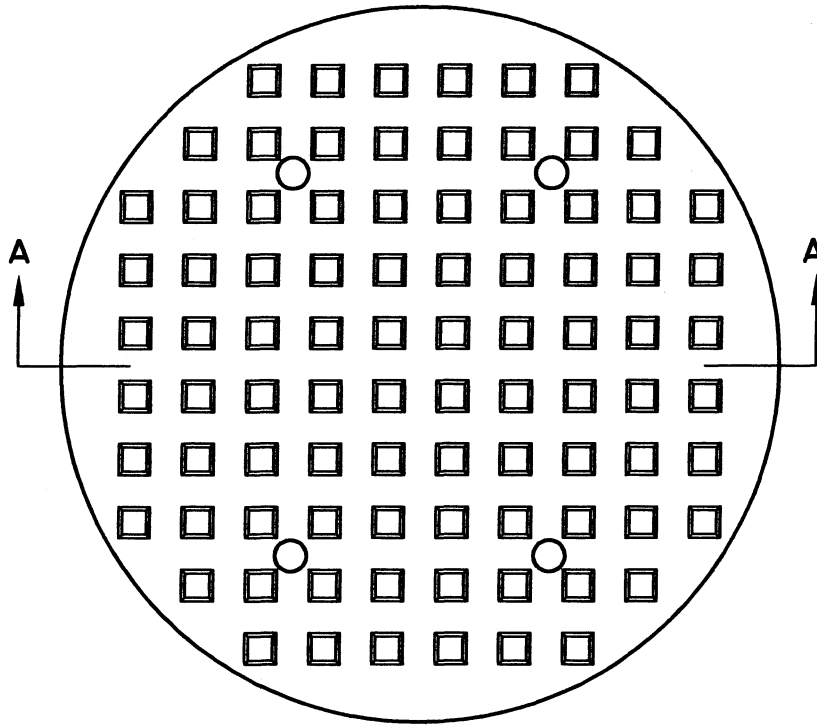


SECTION A-A

MANHOLE BLANK COVER

TF-39

PLAN

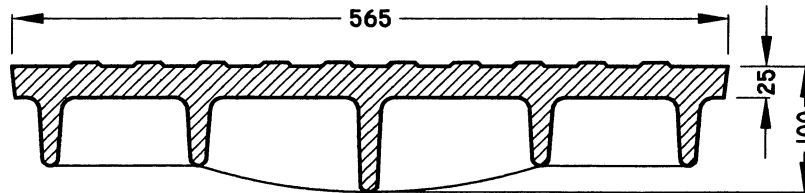
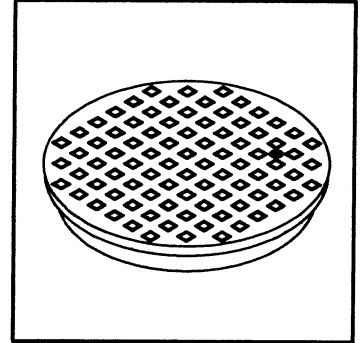
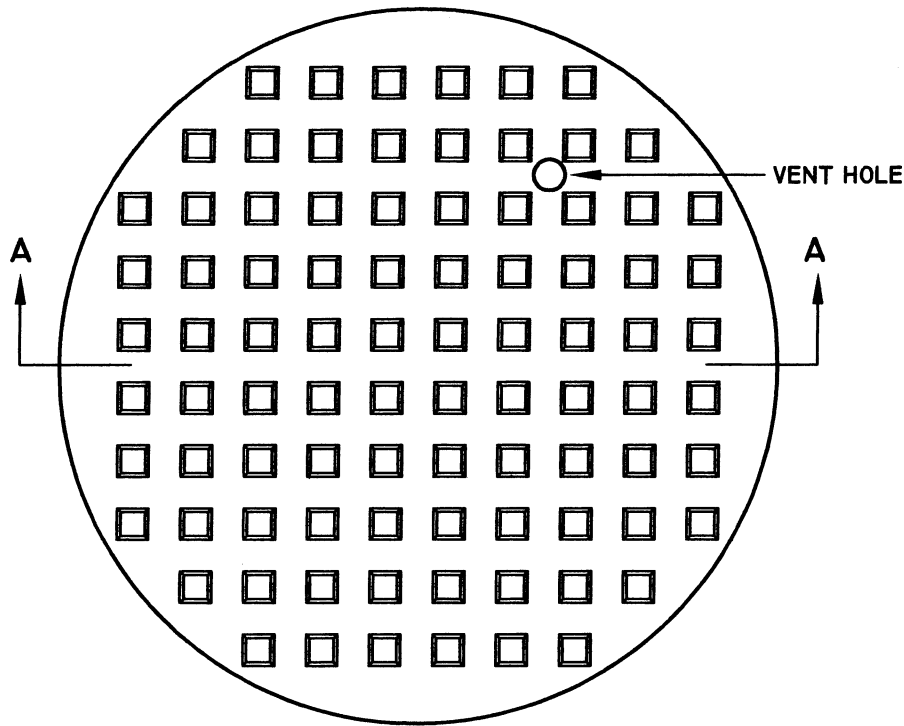


SECTION A-A

I HOLE STANDARD COVER

TF-39

PLAN

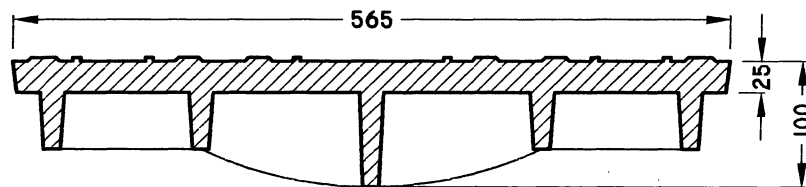
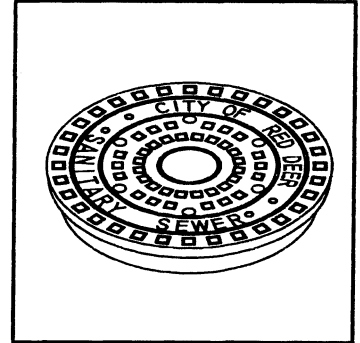
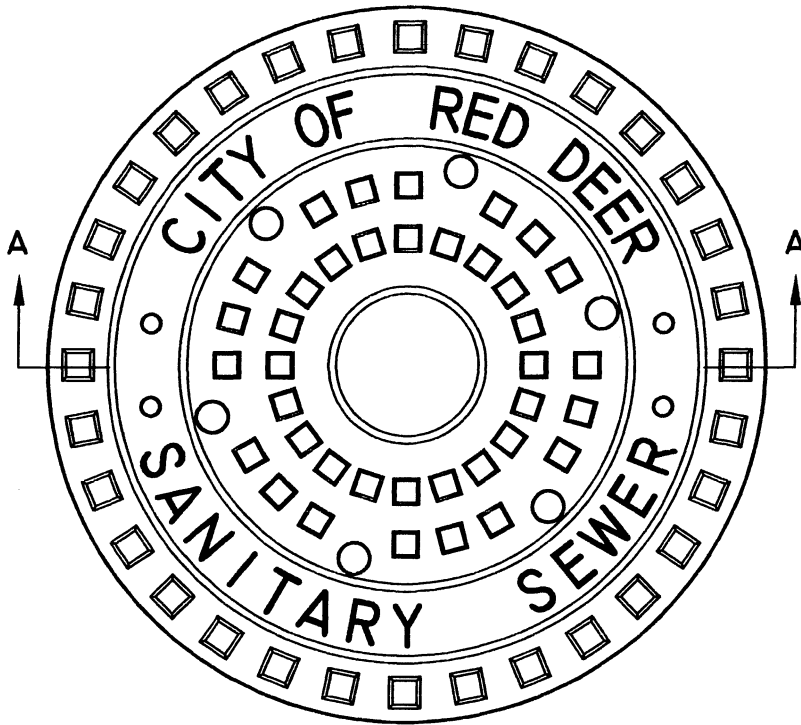


SECTION A-A

MANHOLE COVER

TF-39

PLAN

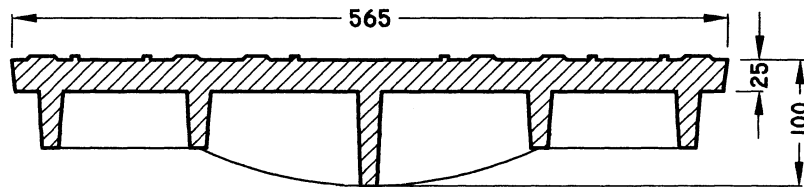
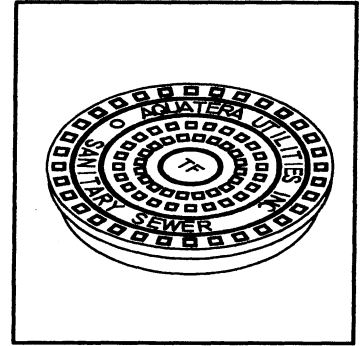
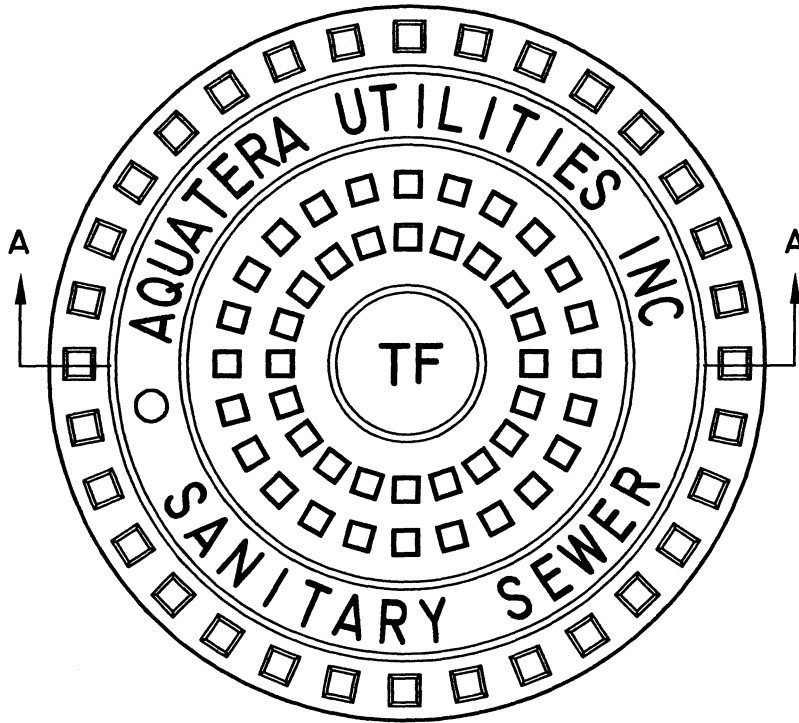


SECTION A-A

MANHOLE COVER

TF-39

PLAN

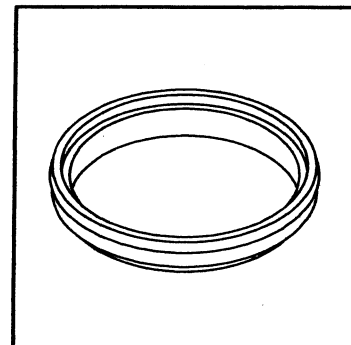
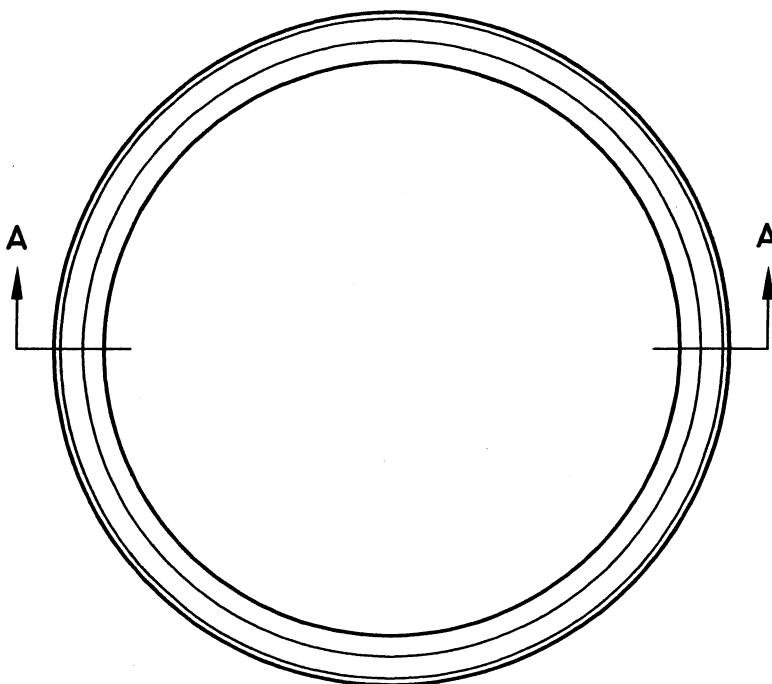


SECTION A-A

RISER RINGS

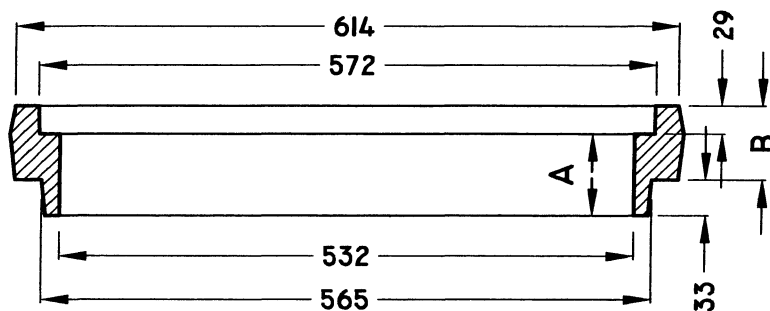
TF-105/39

PLAN



LIFTER RINGS AVAILABLE
IN FOUR SIZES:

DIM SIZE	A MM	B MM
38MM	38	34
51MM	51	47
64MM	64	60
76MM	76	72

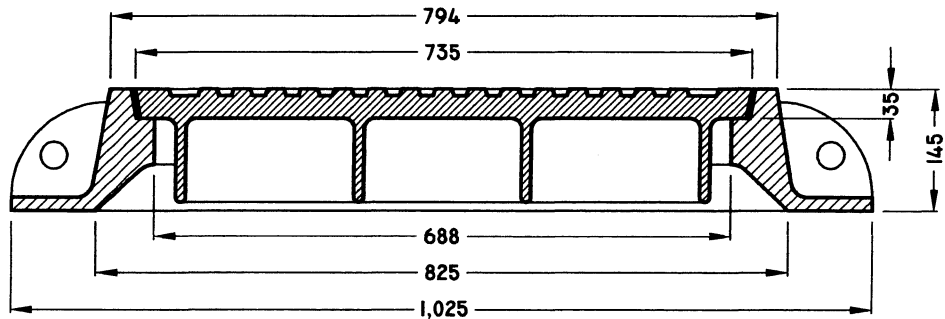
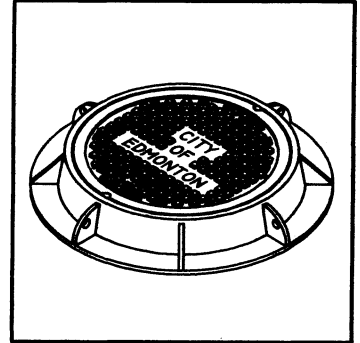
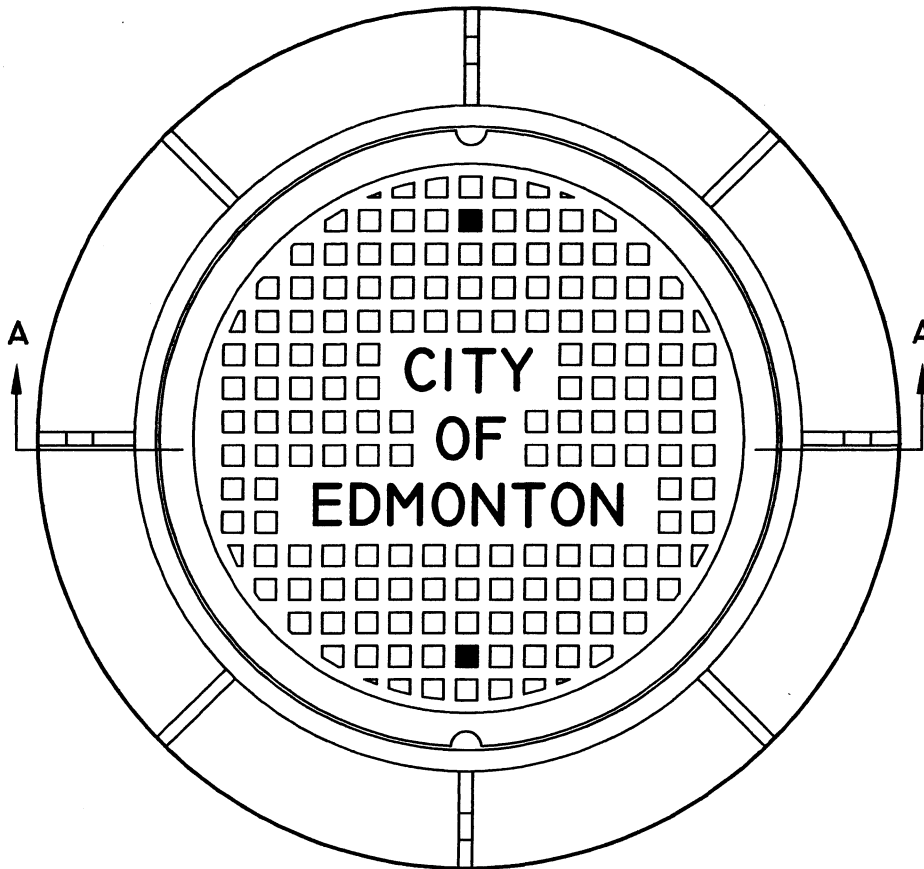


SECTION A-A

FRAME AND SOLID COVER

TF-40

PLAN

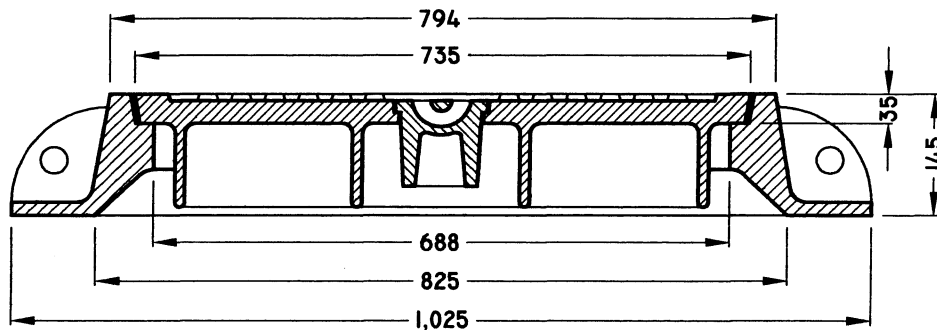
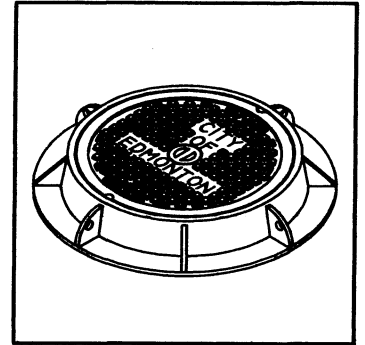
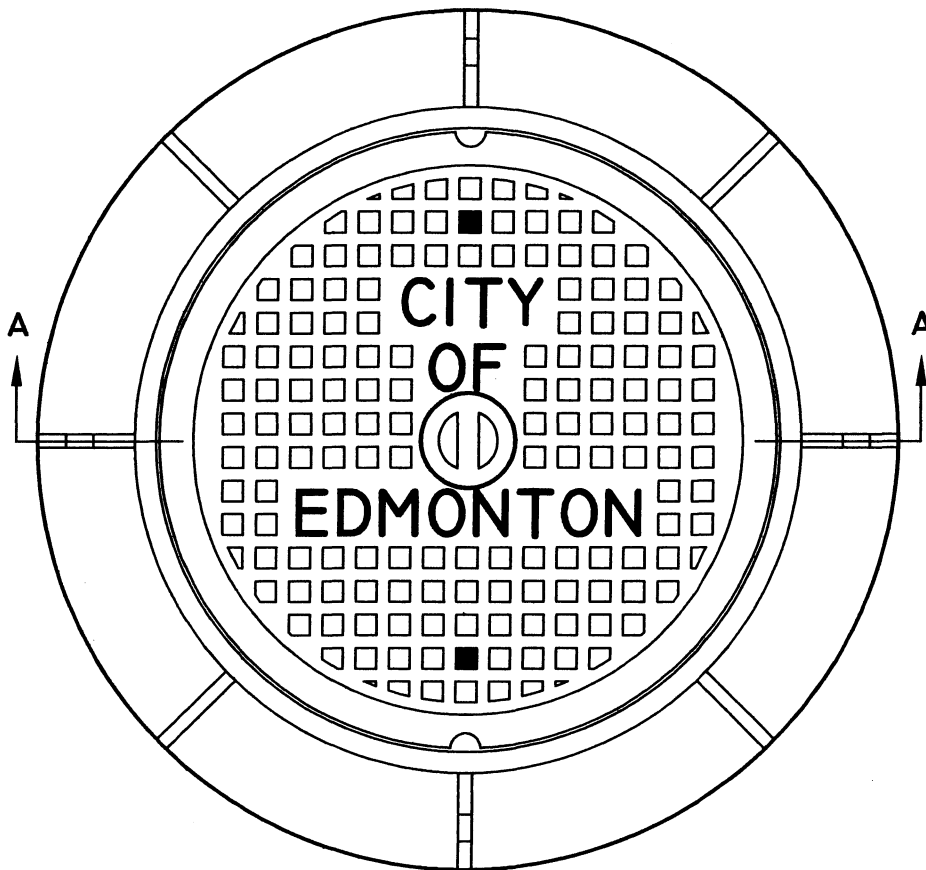


SECTION A-A

FRAME AND SOLID COVER
c/w VALVE ACCESS PLUG

TF-40

PLAN

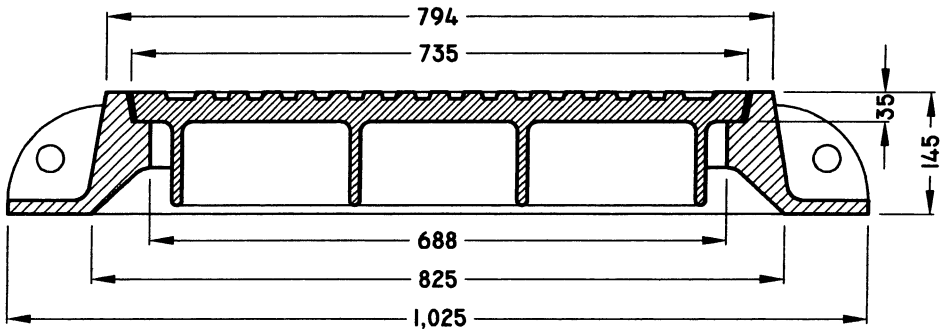
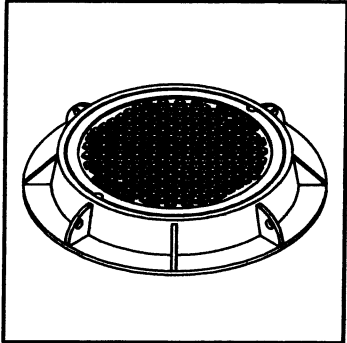
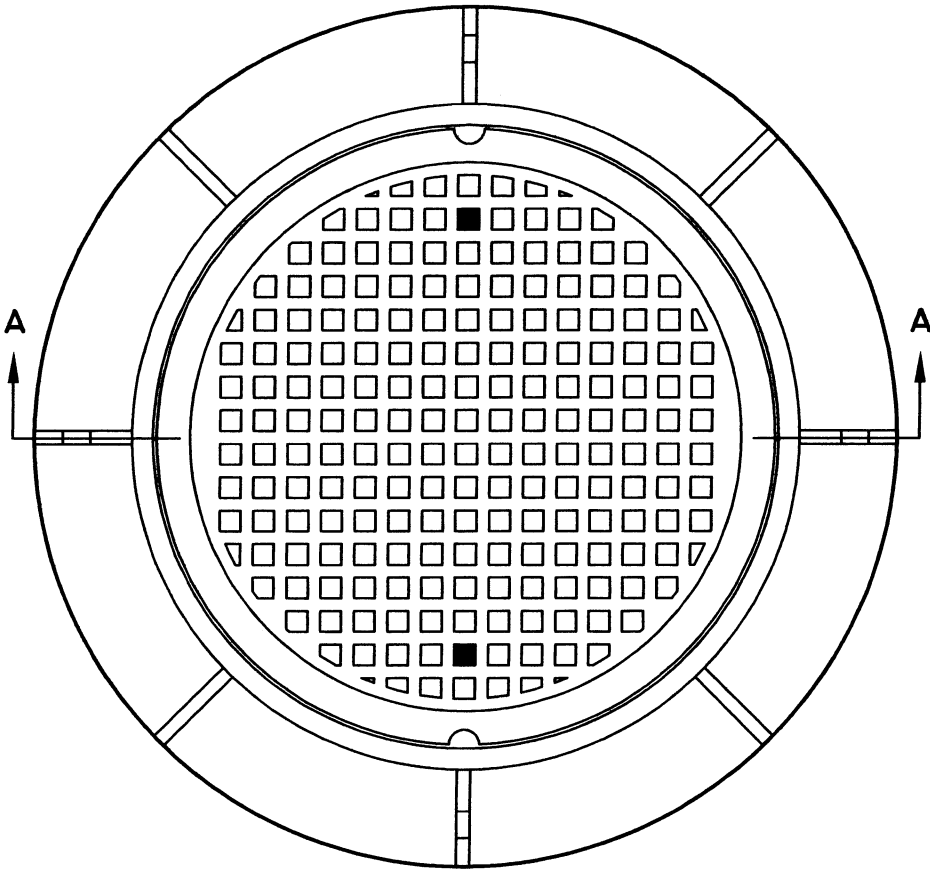


SECTION A-A

FRAME AND SOLID COVER

TF-40

PLAN

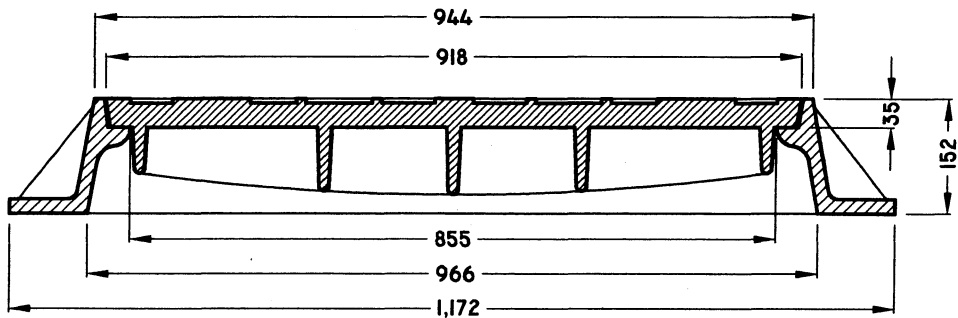
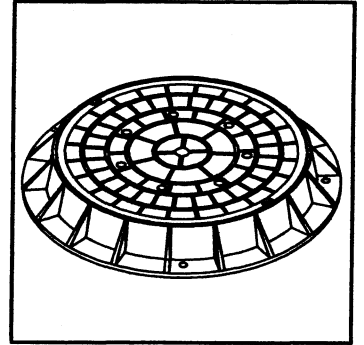
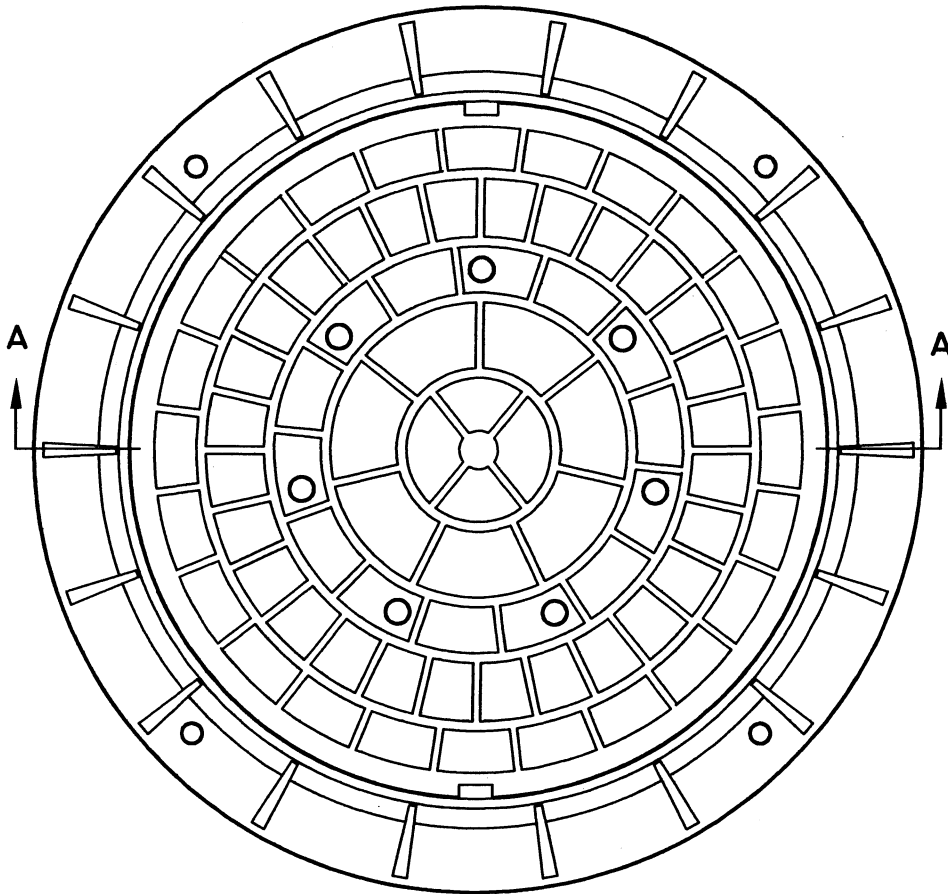


SECTION A-A

FRAME AND COVER

TF-41

PLAN

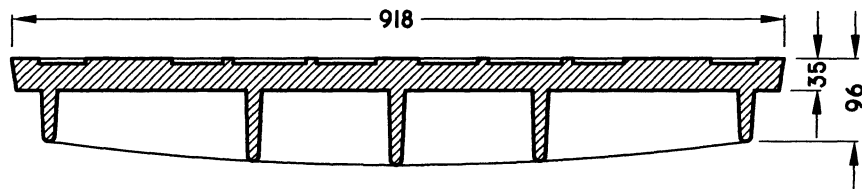
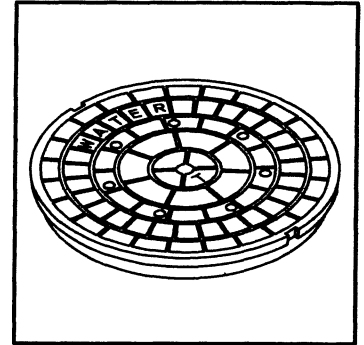
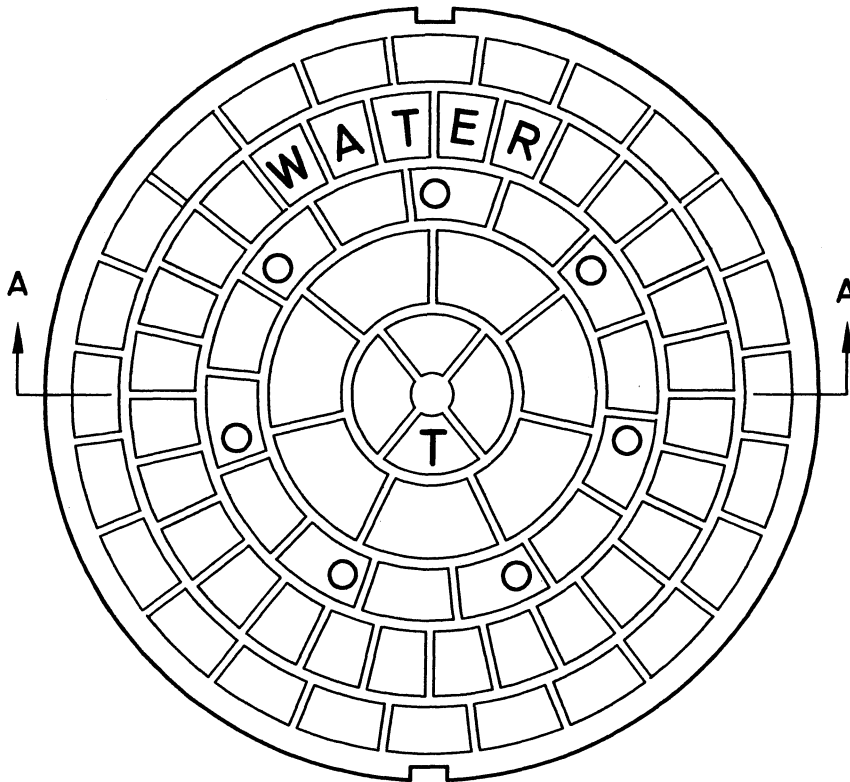


SECTION A-A

SOLID COVER

TF-41

PLAN

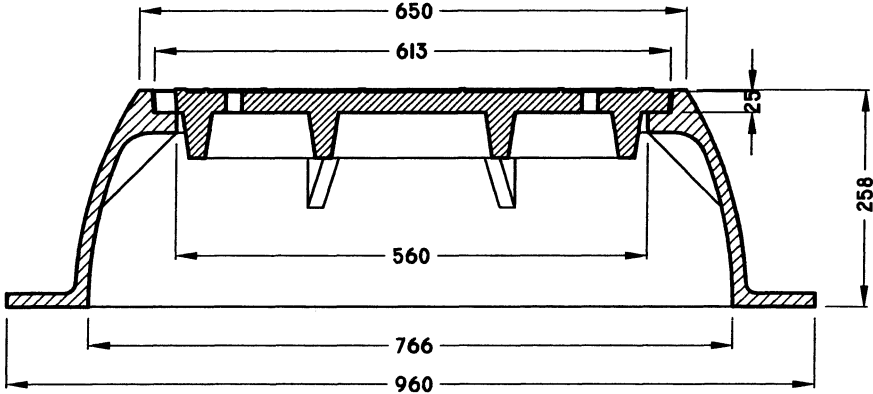
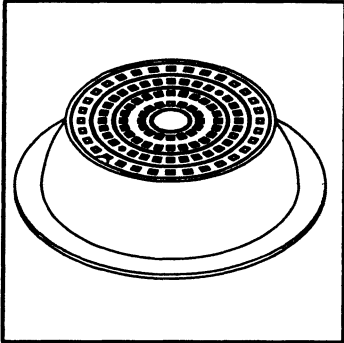
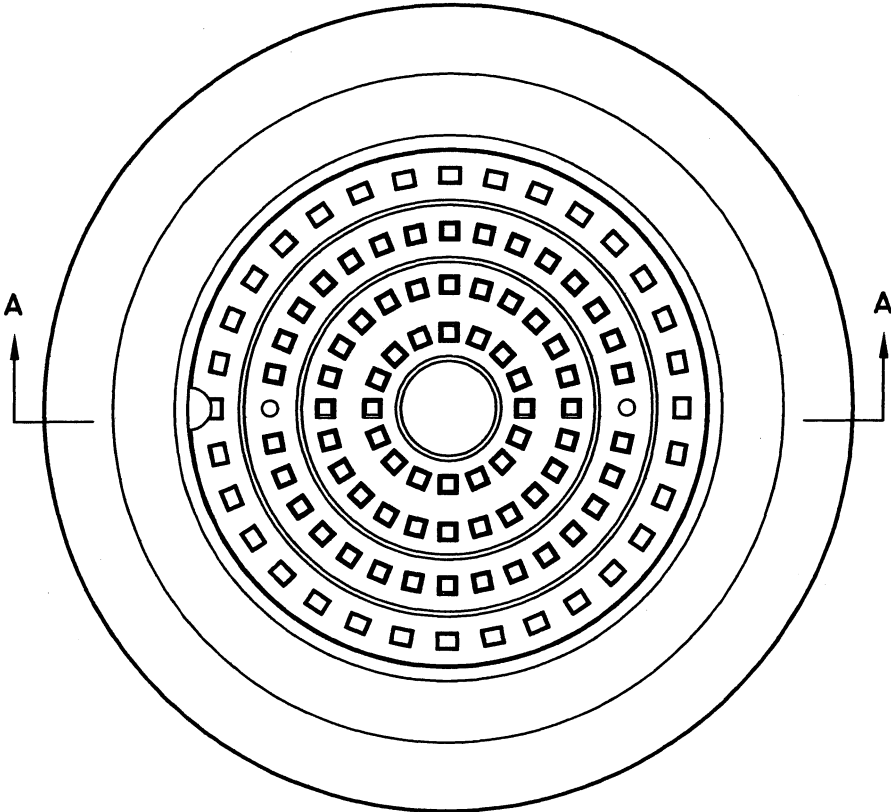


SECTION A-A

STANDARD FRAME AND COVER

TF-50

PLAN

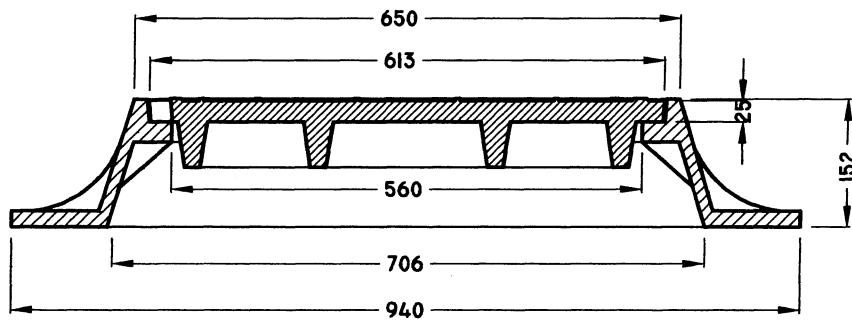
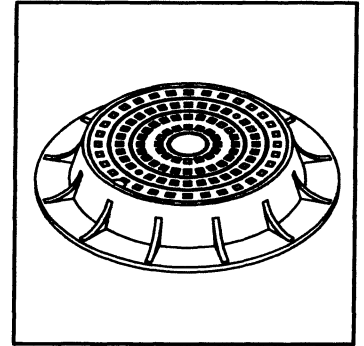
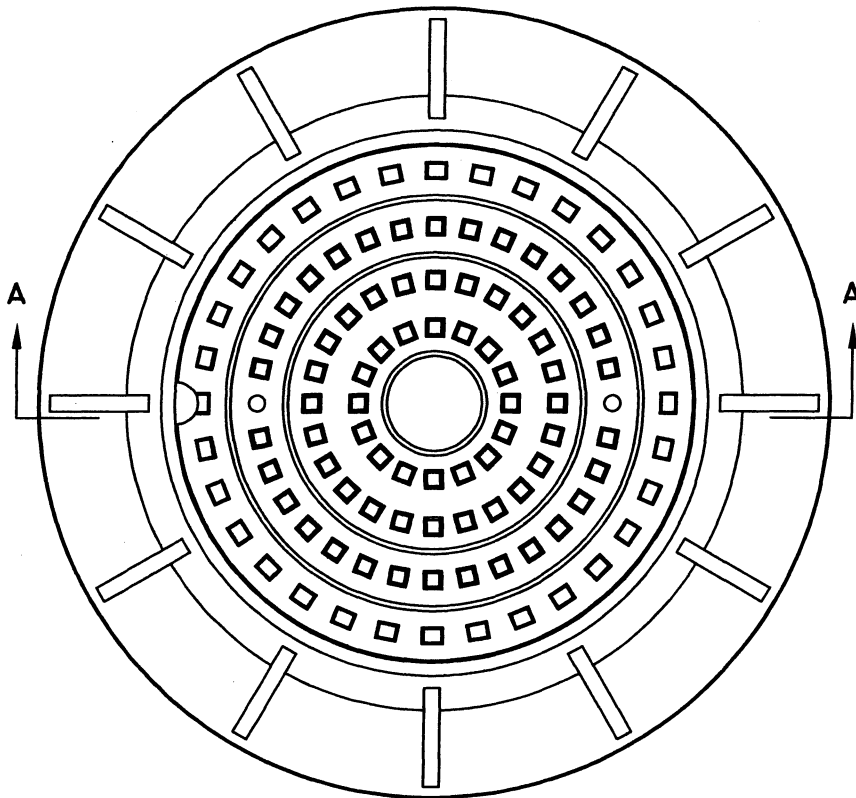


SECTION A-A

SHALLOW FRAME AND COVER

TF-50

PLAN

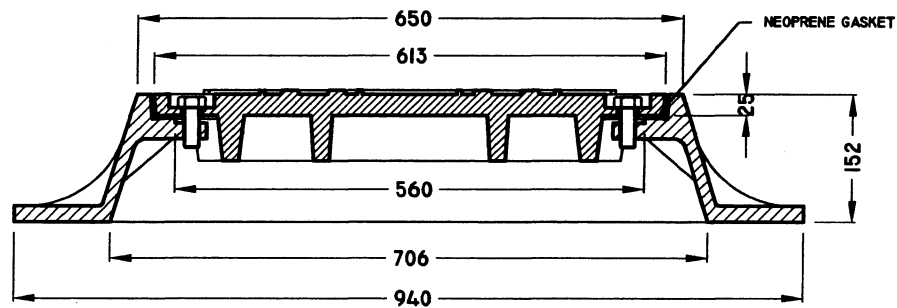
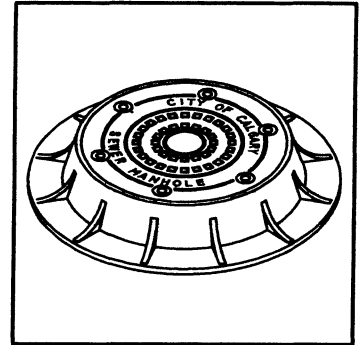
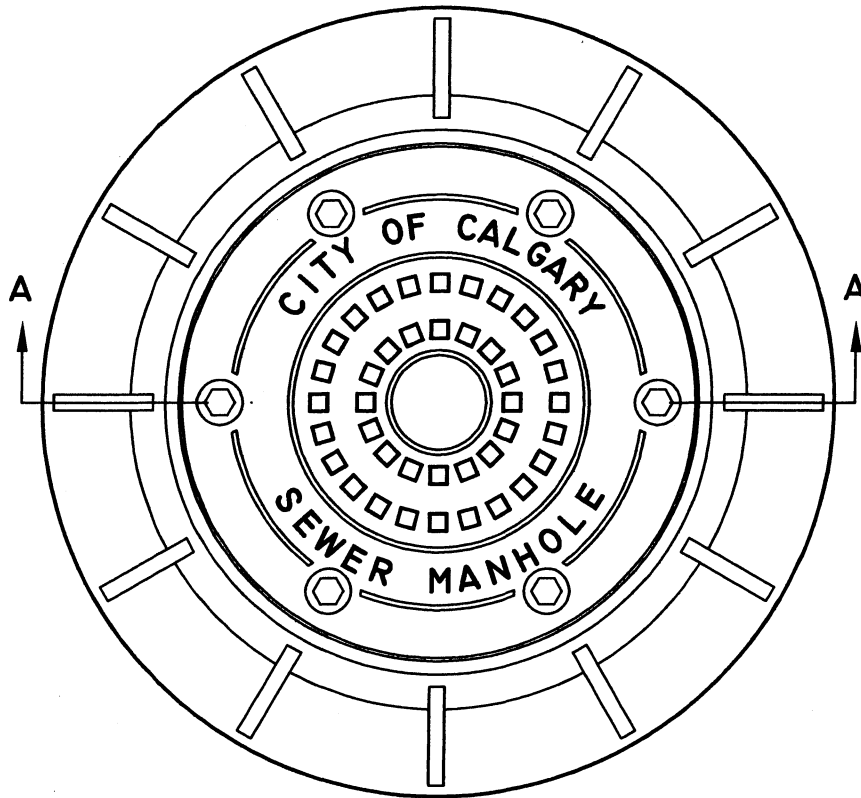


SECTION A-A

FRAME AND BOLT DOWN COVER

TF-50 BD

PLAN

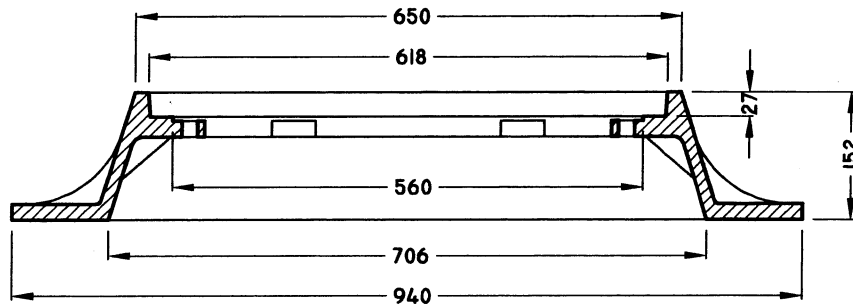
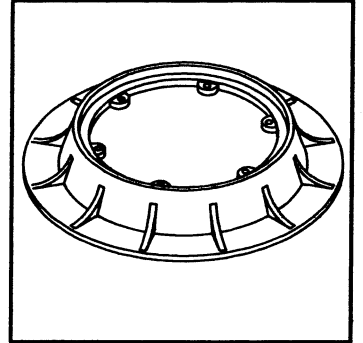
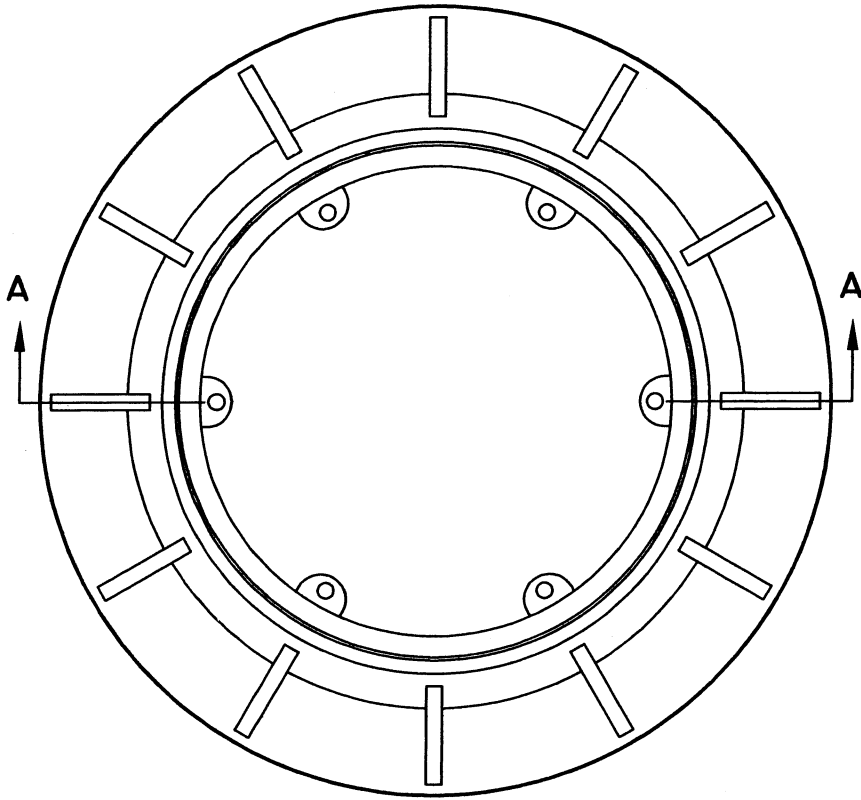


SECTION A-A

FRAME FOR BOLT DOWN COVER

TF-50 FBD

PLAN

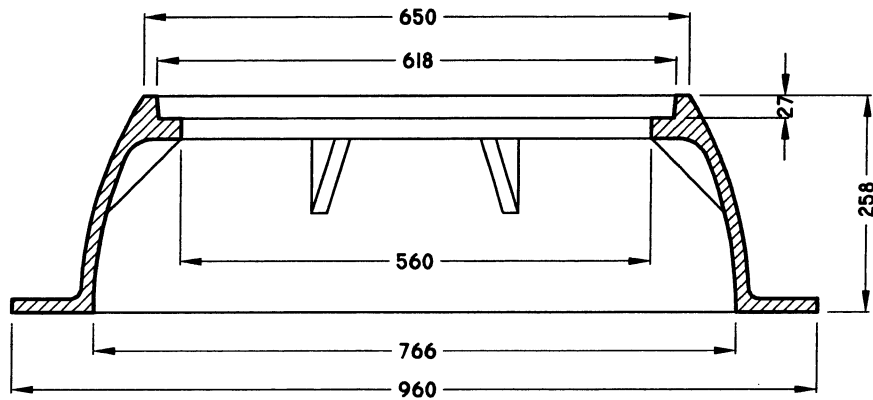
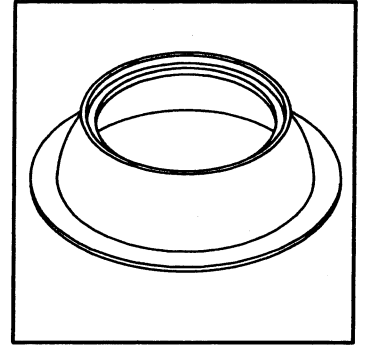
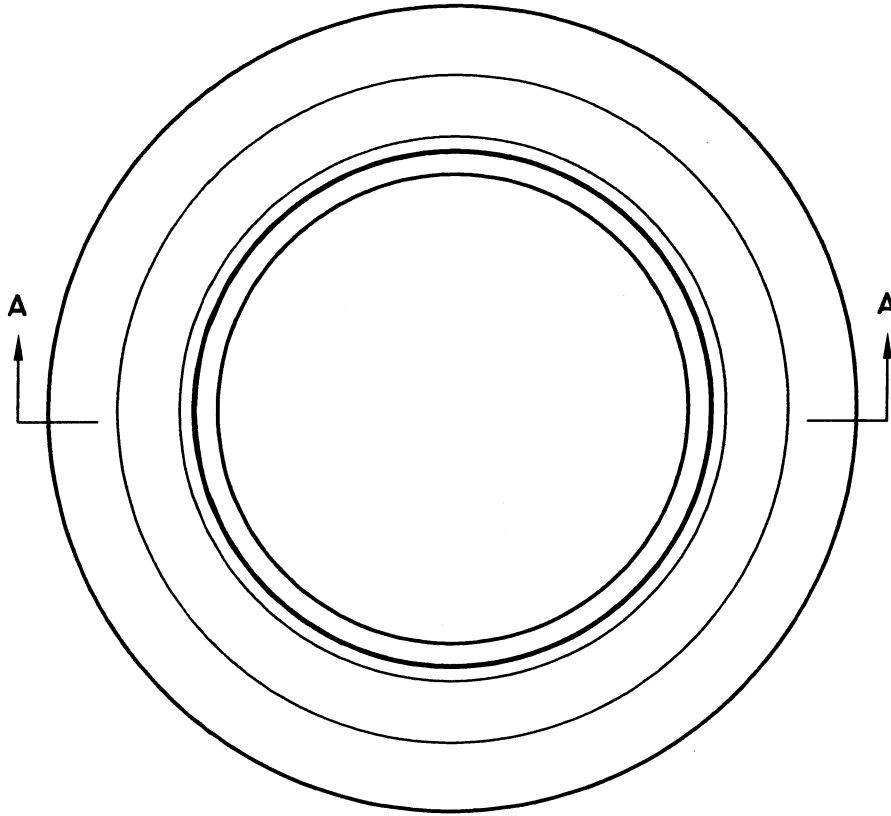


SECTION A-A

STANDARD FRAME

TF-50

PLAN

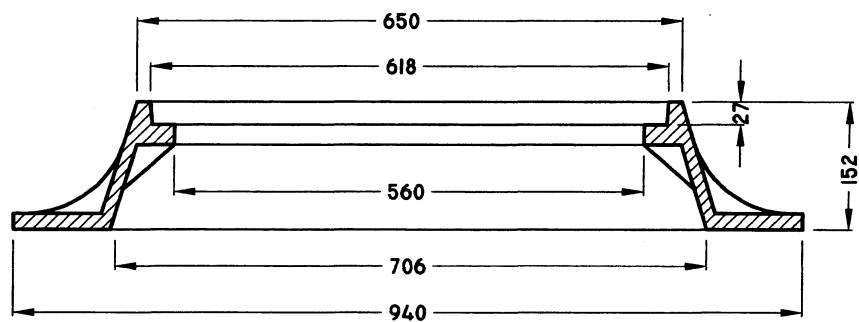
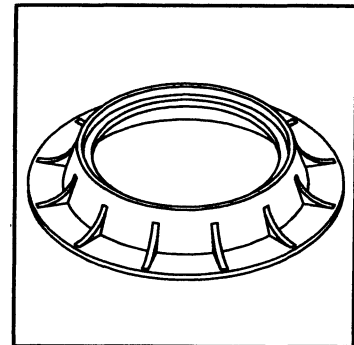
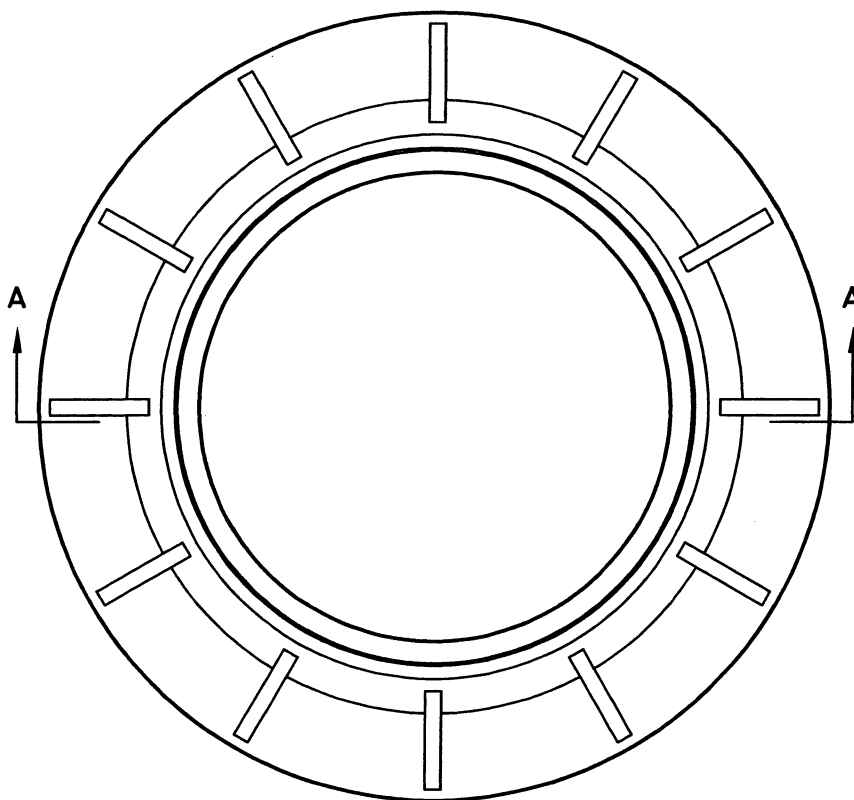


SECTION A-A

SHALLOW FRAME

TF-50

PLAN

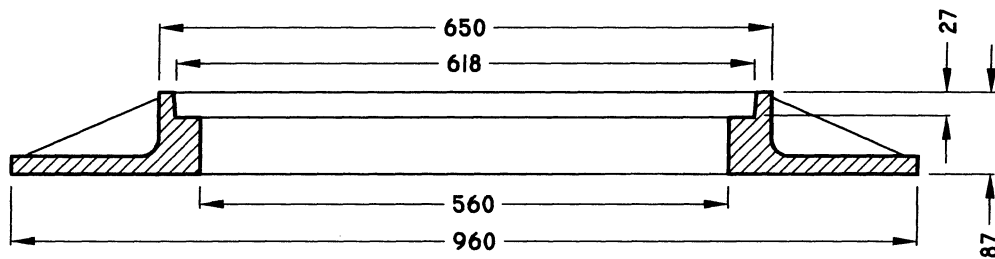
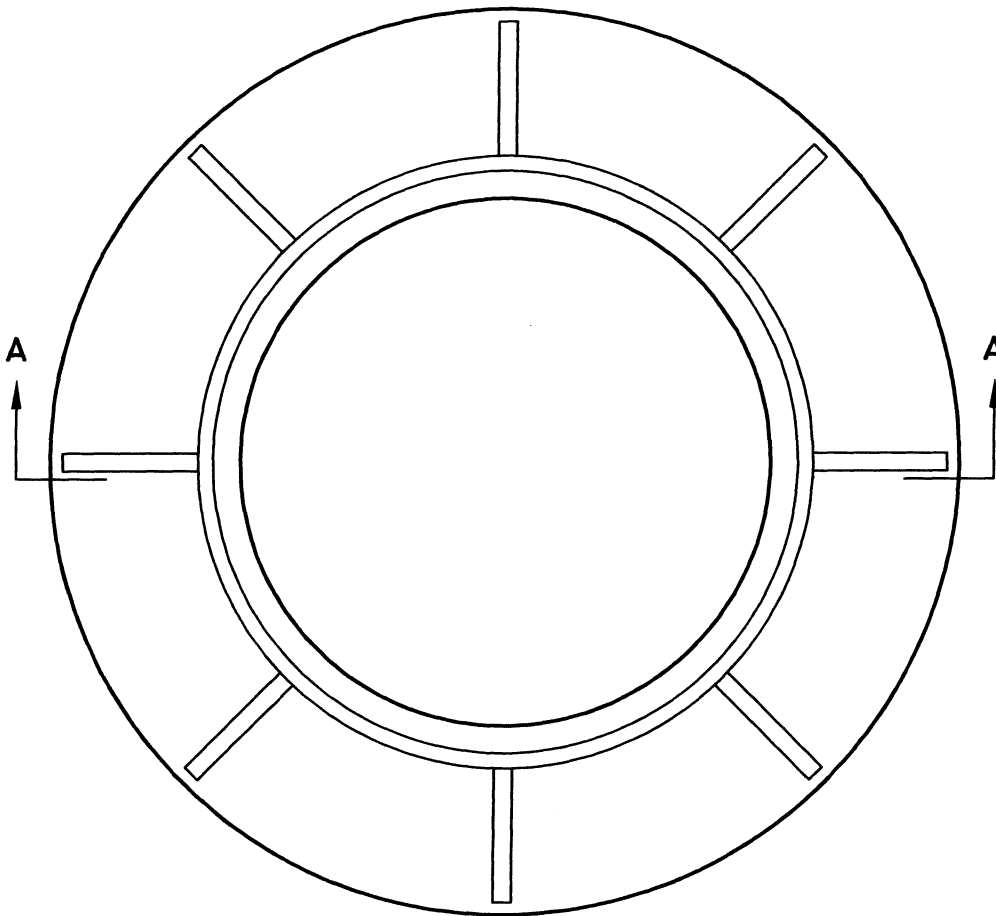
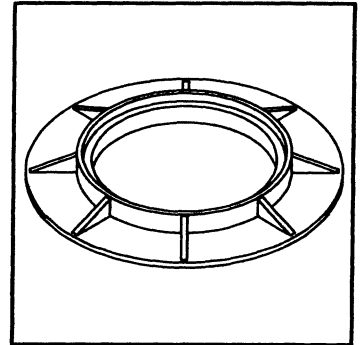


SECTION A-A

EXTRA SHALLOW FRAME

TF-50

PLAN

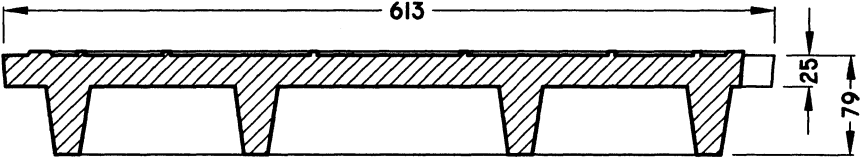
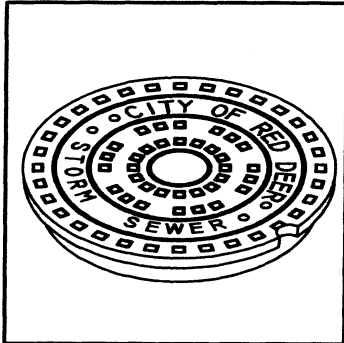
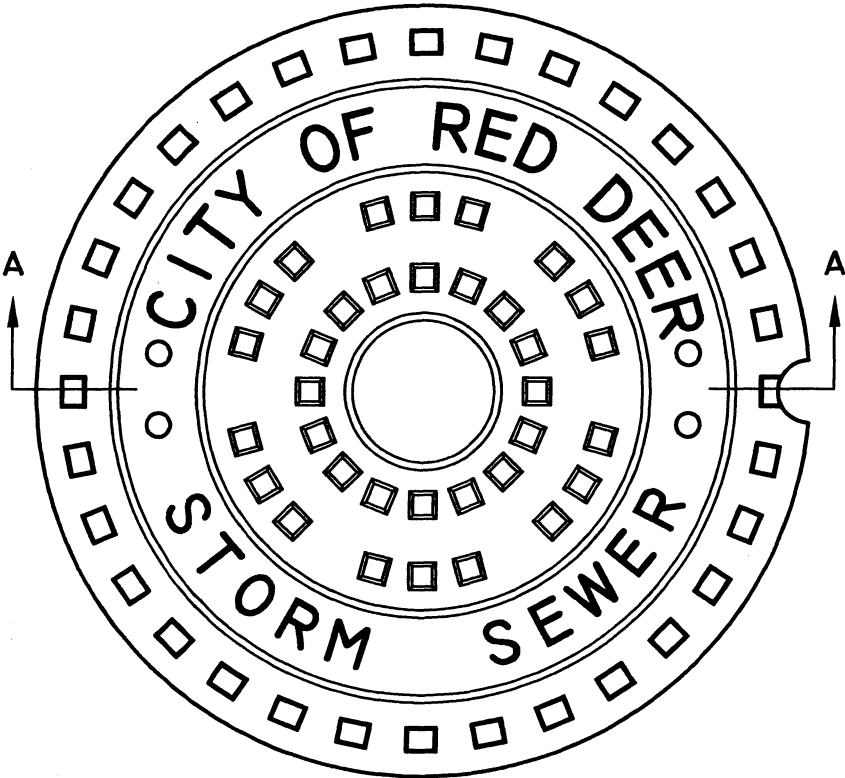


SECTION A-A

MANHOLE COVER

TF-50

PLAN



SECTION A-A

ISO 9001-2000 CERTIFIED

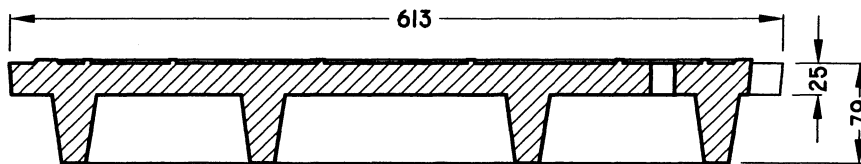
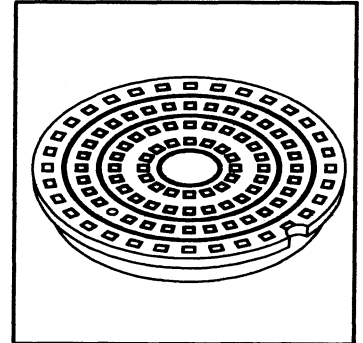
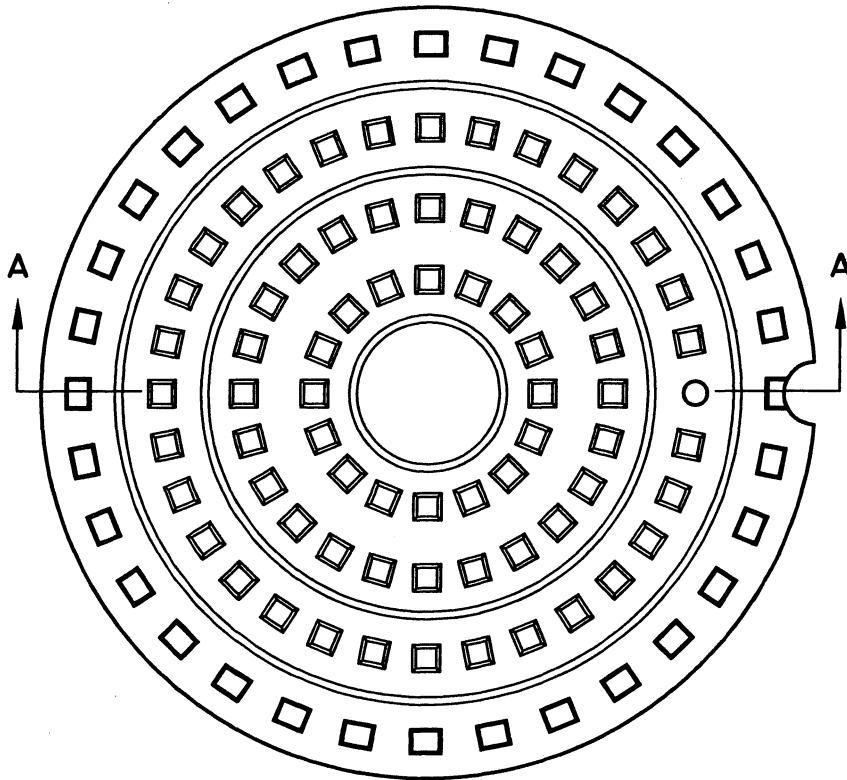
RATED FOR HS-20 LIVE LOAD

MEASUREMENTS IN MILLIMETERS

STANDARD I VENT HOLE COVER

TF-50

PLAN

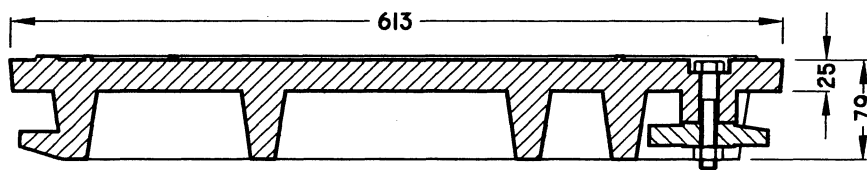
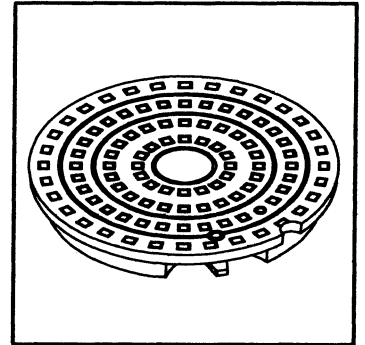
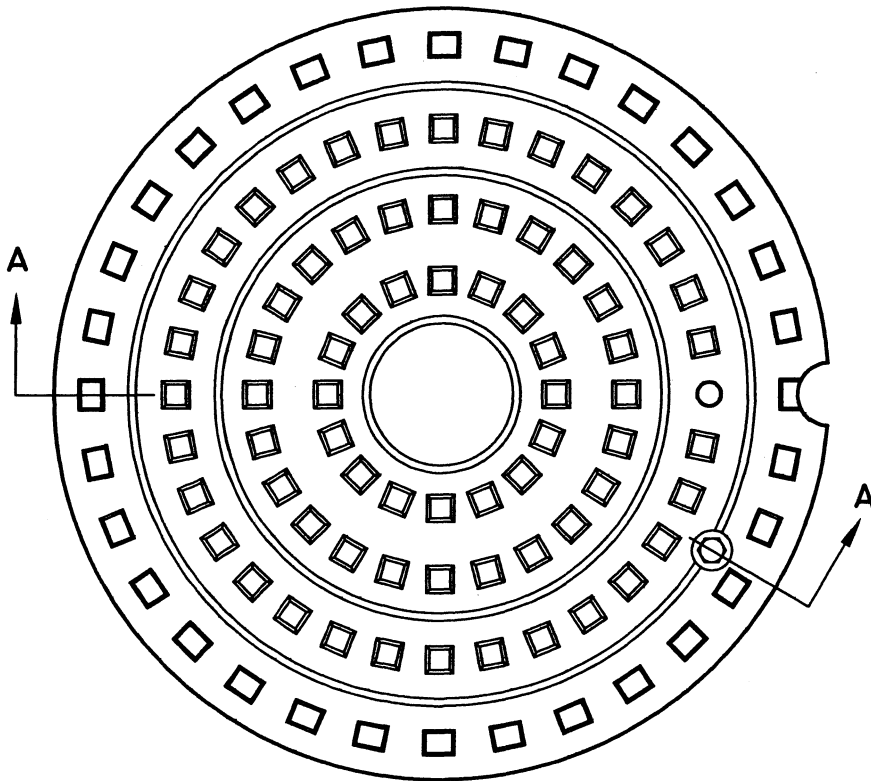


SECTION A-A

MANHOLE LOCKING COVER

TF-50

PLAN

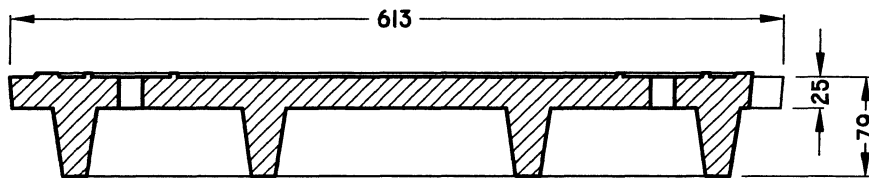
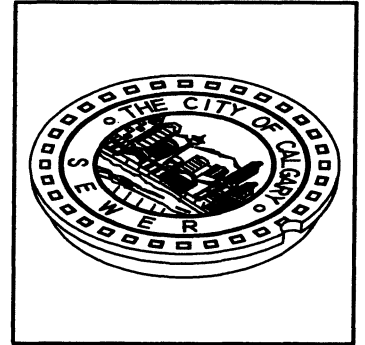


SECTION A-A

MANHOLE COVER

TF-50

PLAN



SECTION A-A

ISO 9001-2000 CERTIFIED

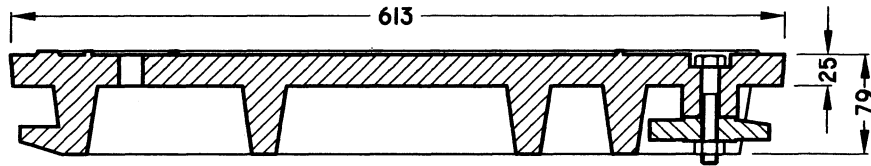
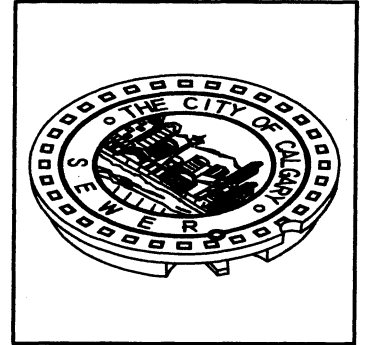
RATED FOR HS-20 LIVE LOAD

MEASUREMENTS IN MILLIMETERS

MANHOLE COVER

TF-50

PLAN

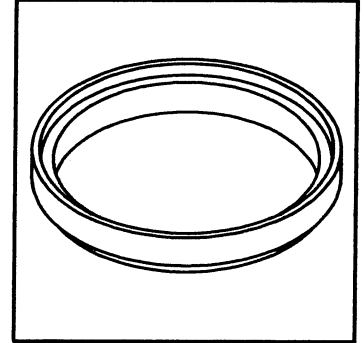
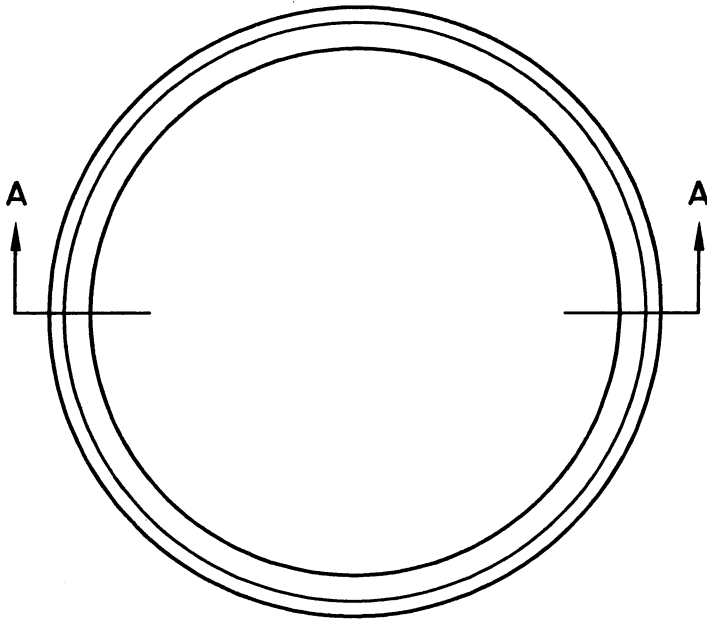


SECTION A-A

RISER RINGS WITHOUT FLANGE

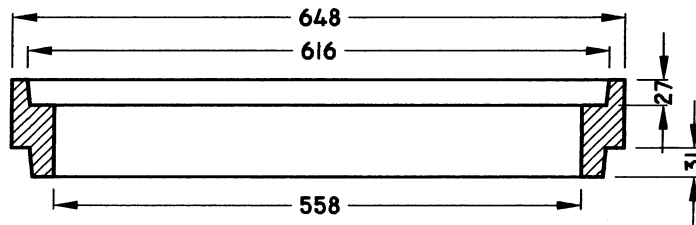
TF-50

PLAN



RISERS AVAILABLE IN FOUR SIZES;

- (1) - 38MM
- (2) - 51MM
- (3) - 64MM
- (4) - 76MM

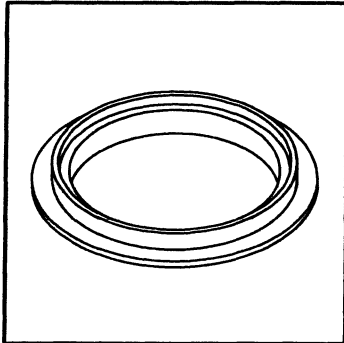
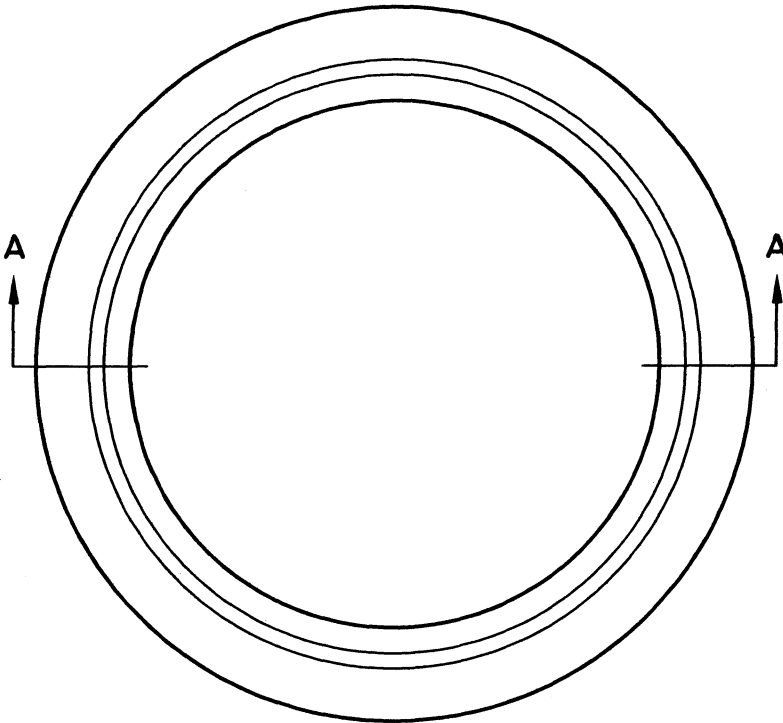


SECTION A-A

RISER RINGS WITH FLANGE

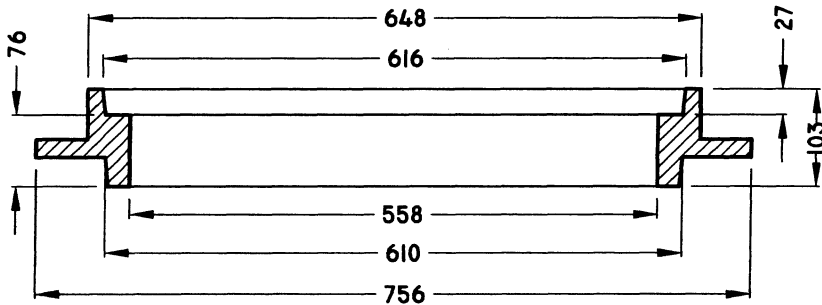
TF-50

PLAN



RISERS AVAILABLE IN FOUR SIZES;

- (1) - 38MM
- (2) - 51MM
- (3) - 64MM
- (4) - 76MM

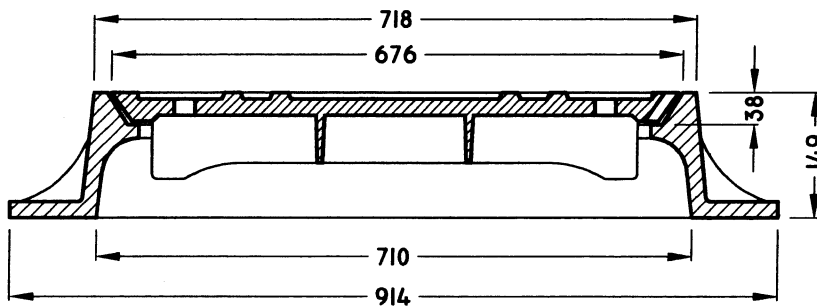
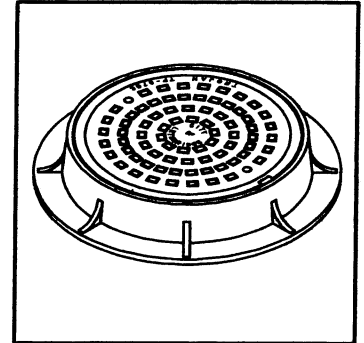
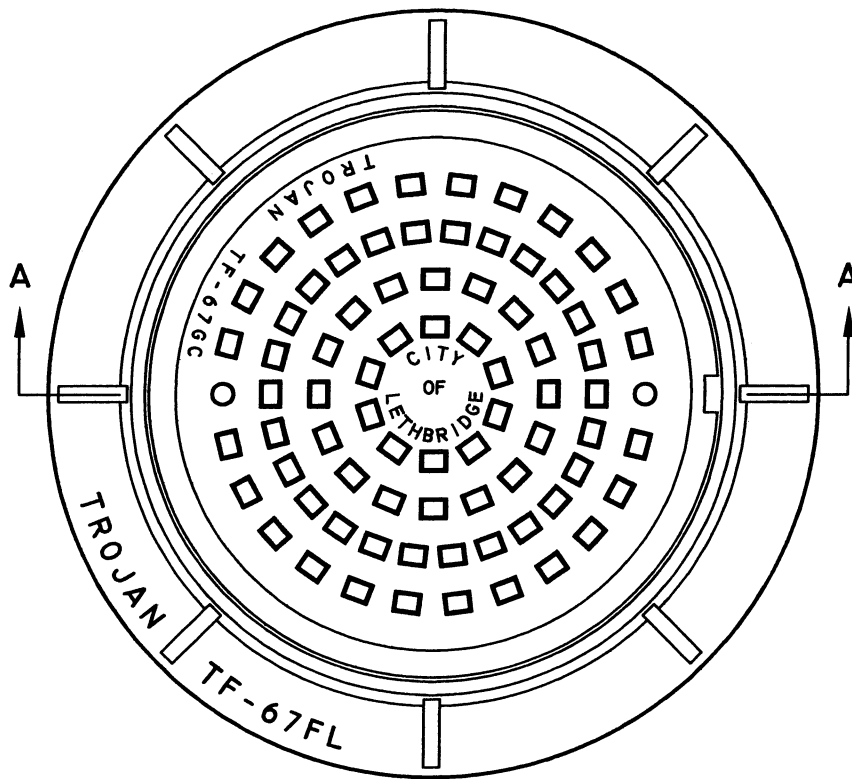


SECTION A-A

STANDARD FRAME AND COVER

TF-67

PLAN

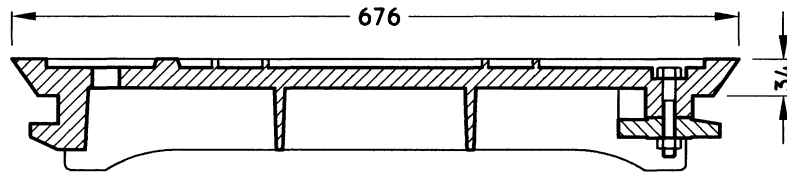
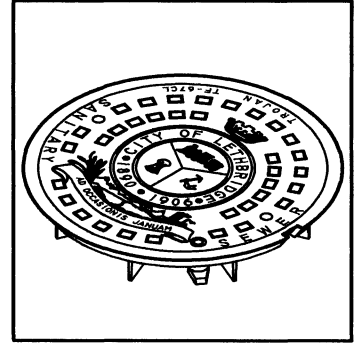
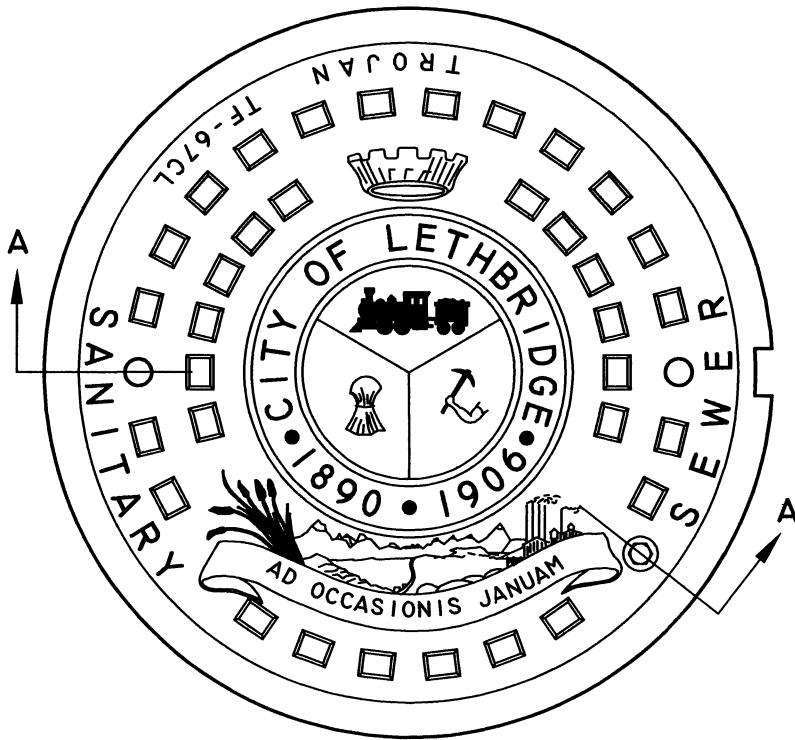


SECTION A-A

LOCKING COVER

TF-67CL

PLAN



SECTION A-A

ISO 9001-2000 CERTIFIED

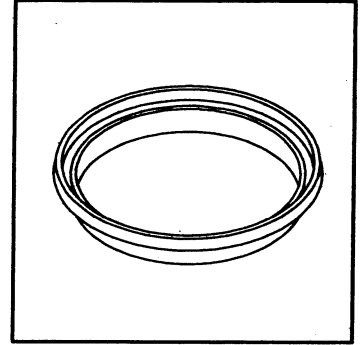
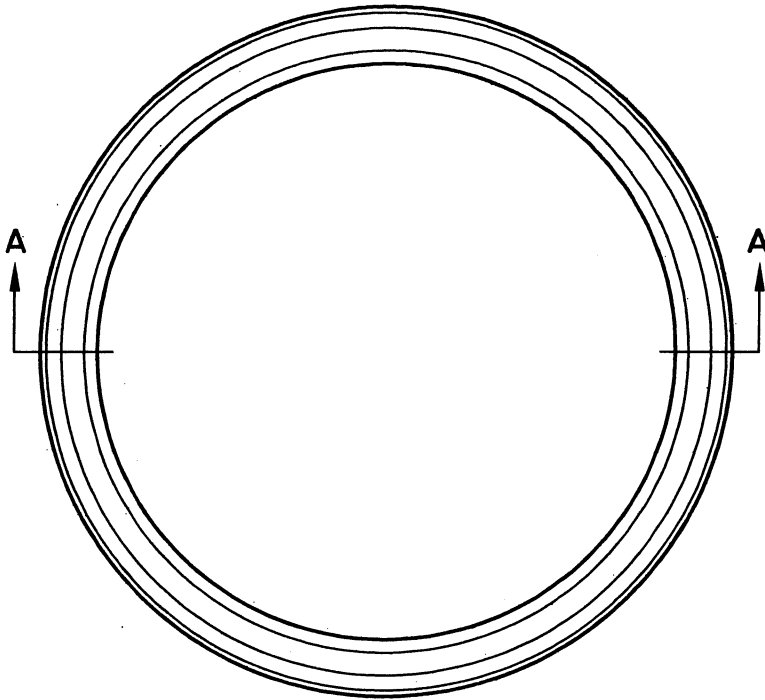
RATED FOR HS-20 LIVE LOAD

MEASUREMENTS IN MILLIMETERS

LIFTER RINGS

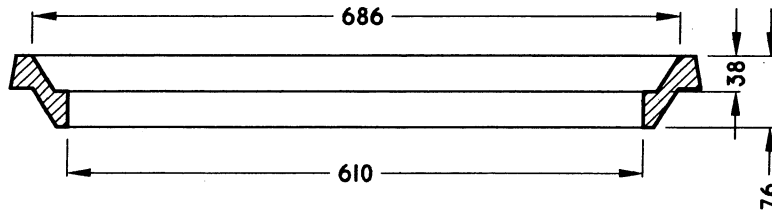
TF-67

PLAN



LIFTER RINGS AVAILABLE IN TWO SIZES:

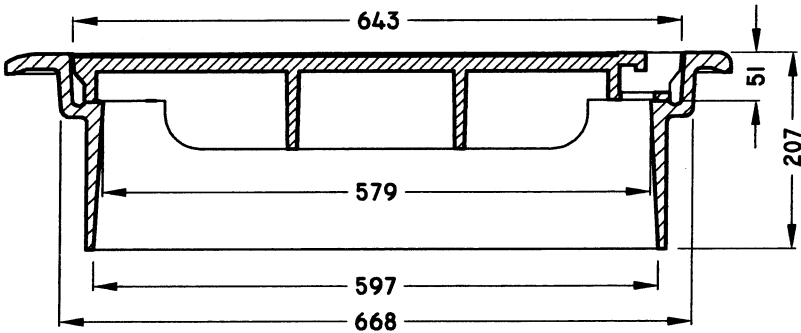
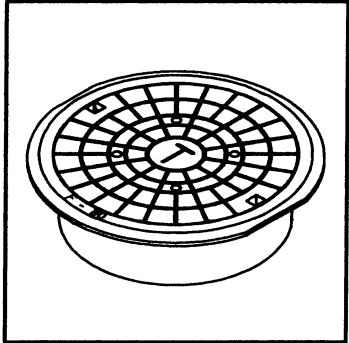
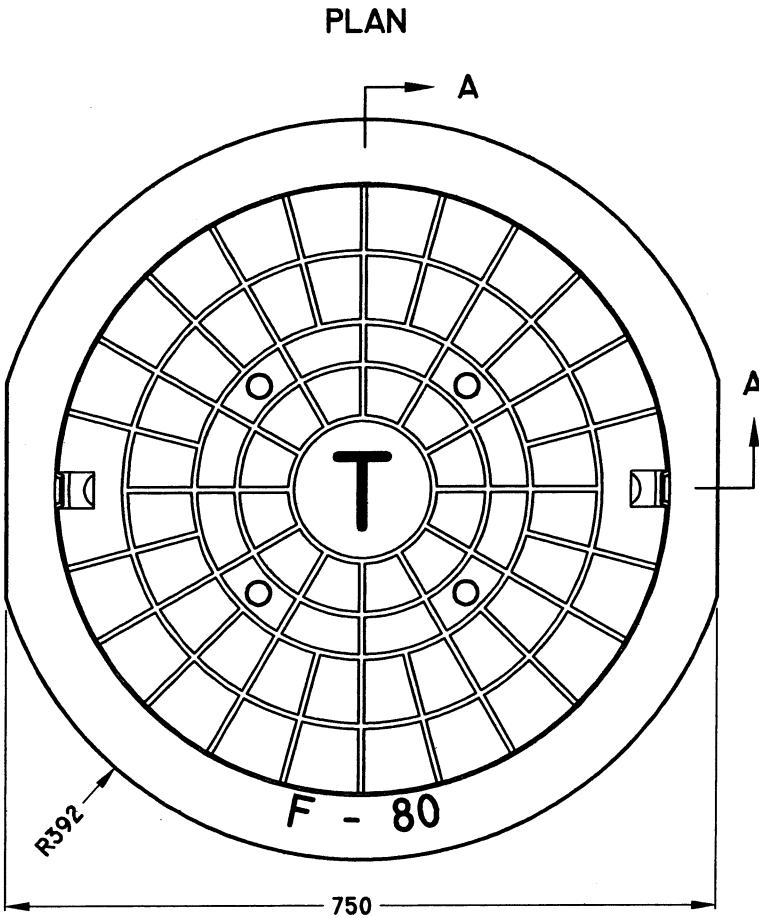
- (1) - 38MM
- (2) - 76MM



SECTION A-A

FLOATING FRAME AND COVER

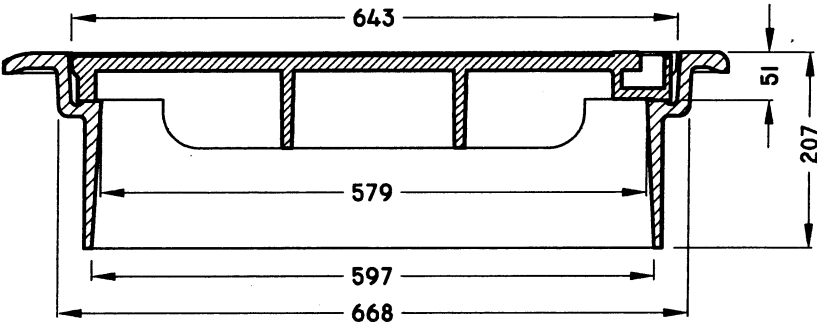
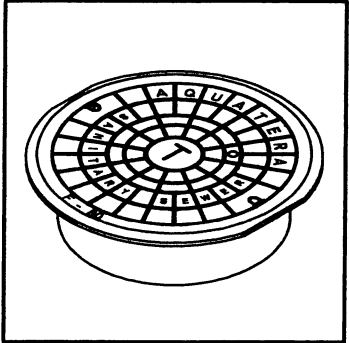
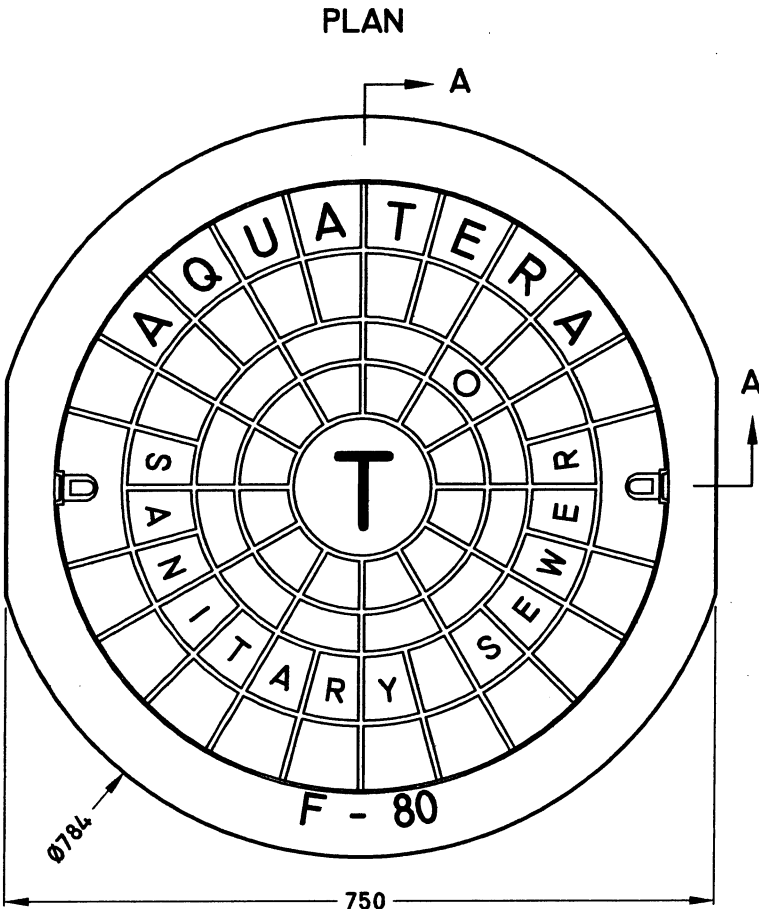
TF-80



SECTION A-A

FLOATING FRAME AND COVER

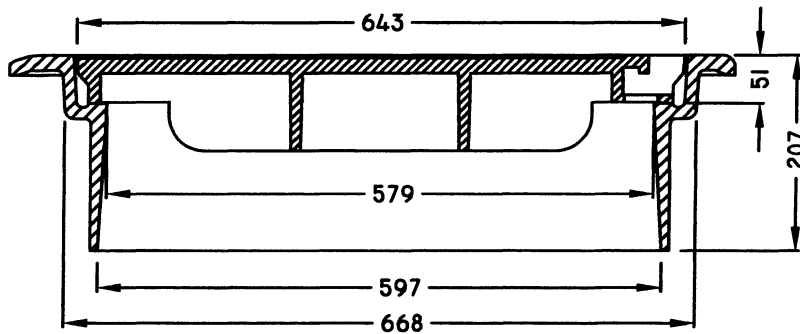
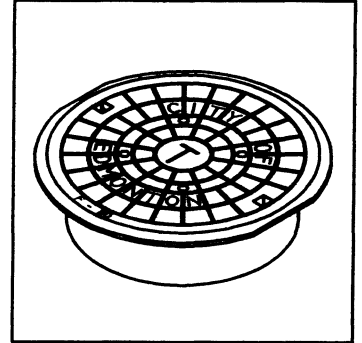
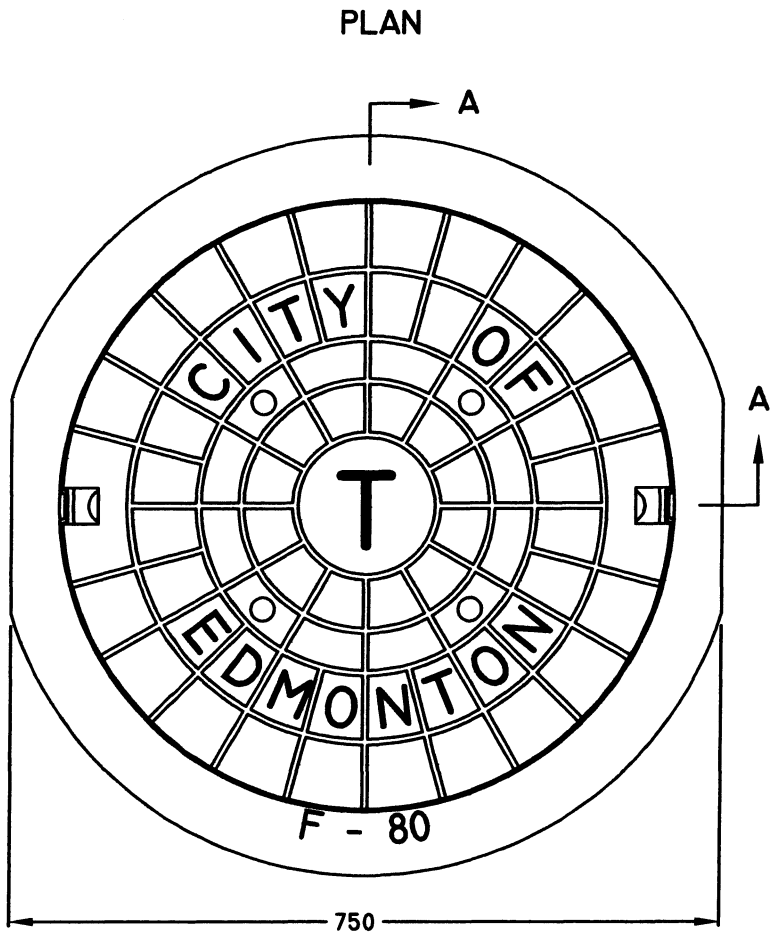
TF-80



SECTION A-A

FLOATING FRAME AND COVER

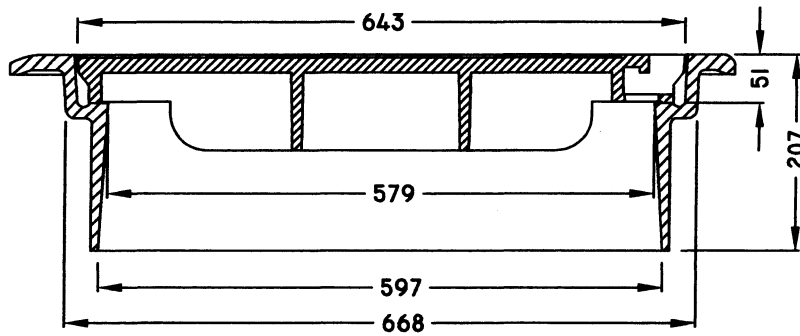
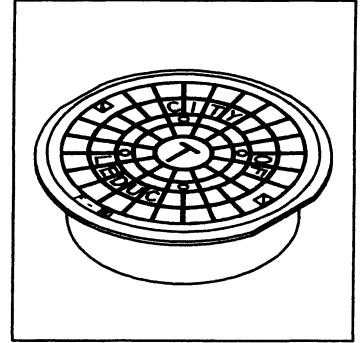
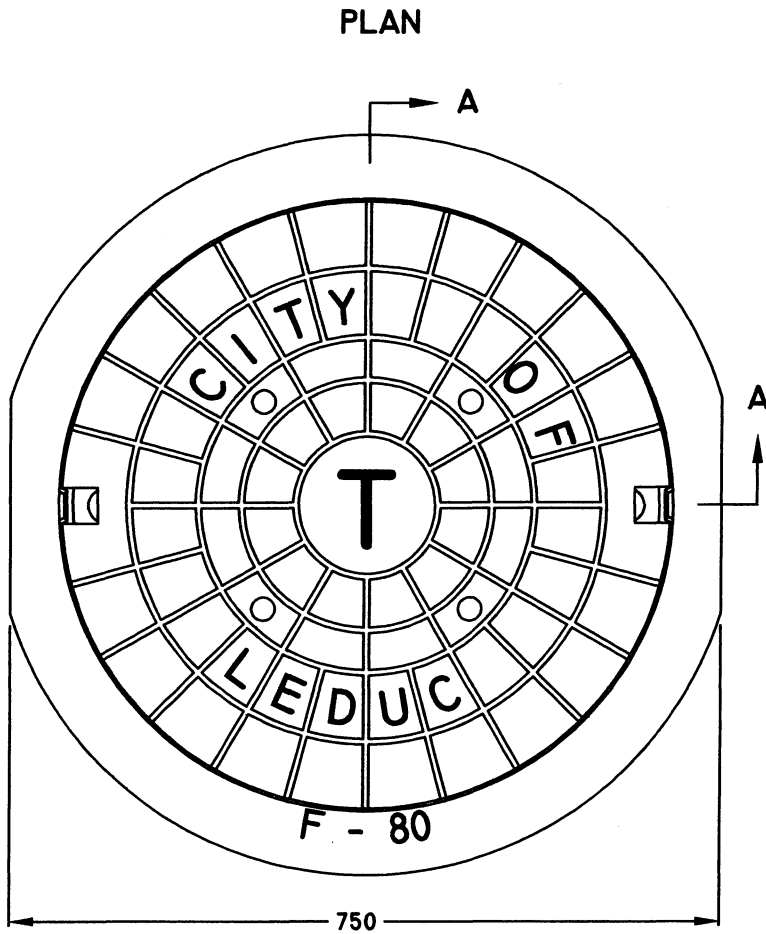
TF-80



SECTION A-A

FLOATING FRAME AND COVER

TF-80



SECTION A-A

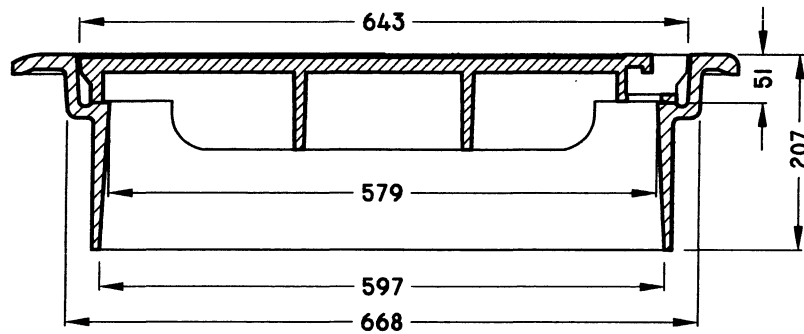
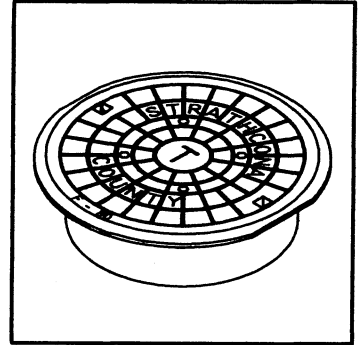
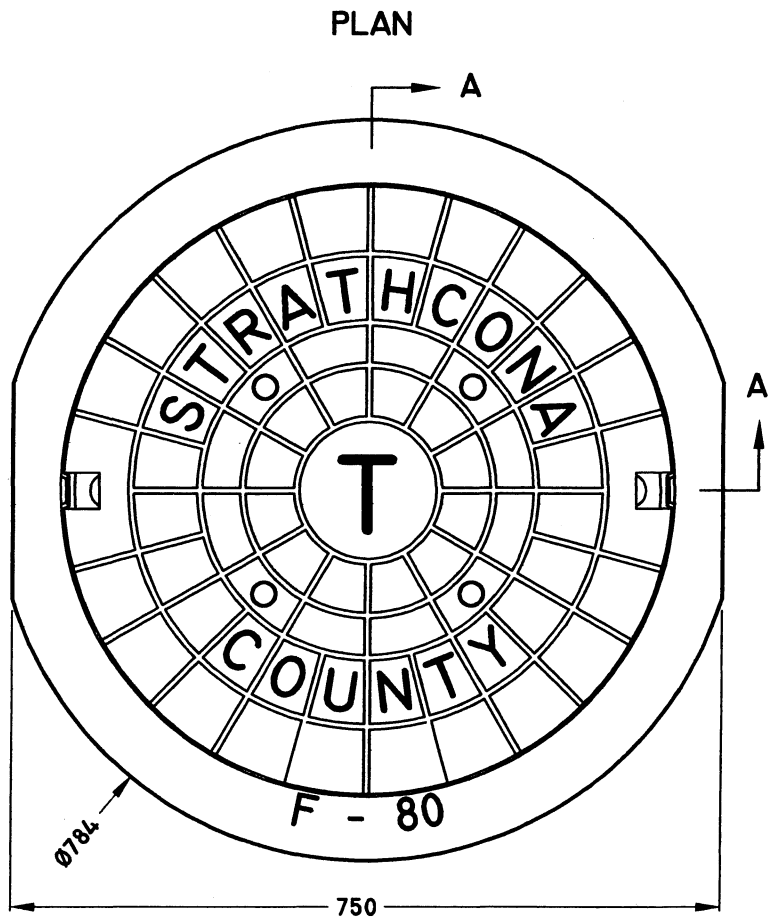
ISO 9001-2000 CERTIFIED

RATED FOR HS-20 LIVE LOAD

MEASUREMENTS IN MILLIMETERS

FLOATING FRAME AND COVER

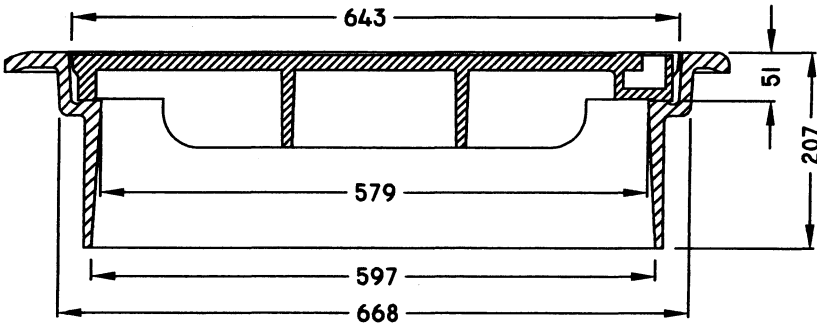
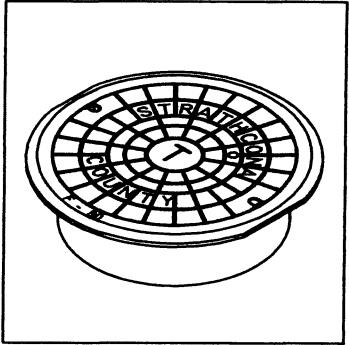
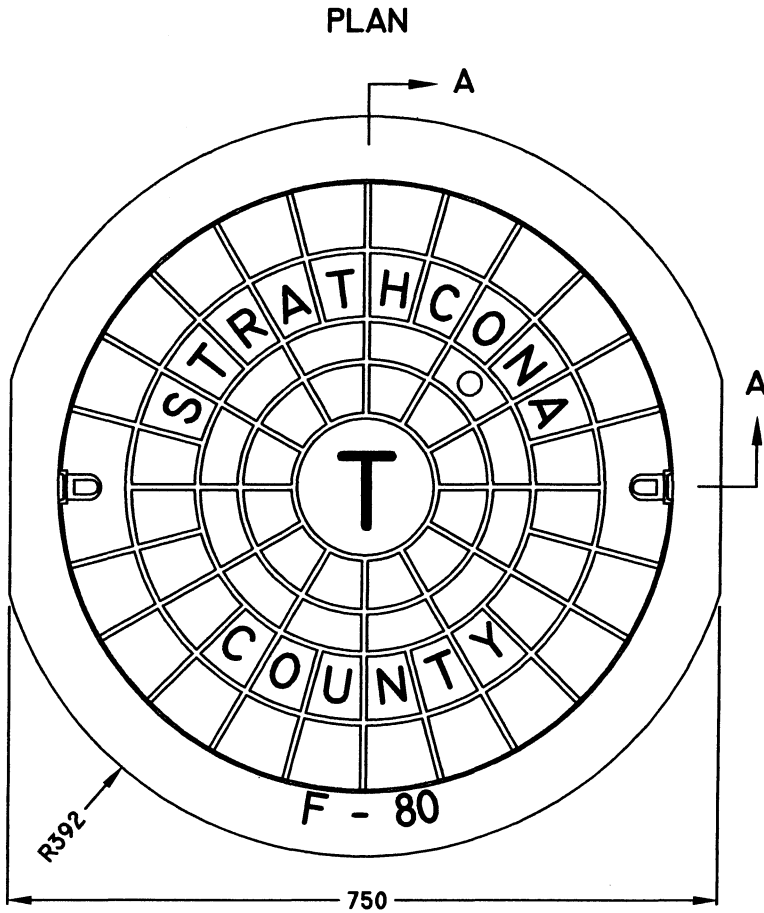
TF-80



SECTION A-A

FLOATING FRAME AND COVER

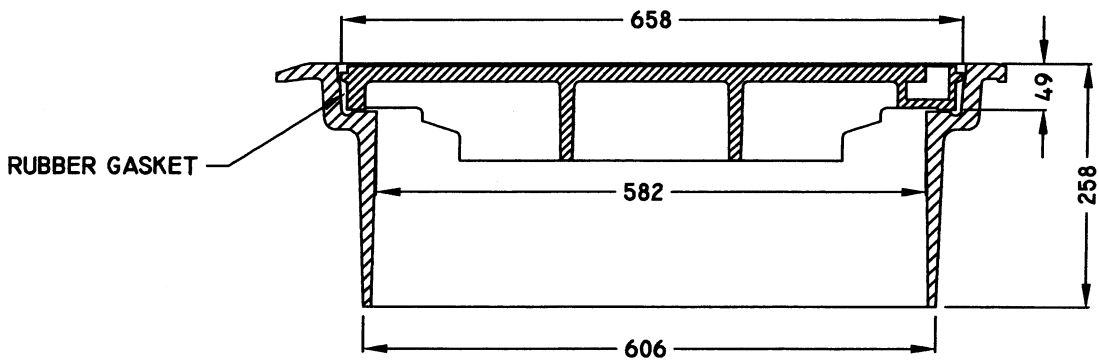
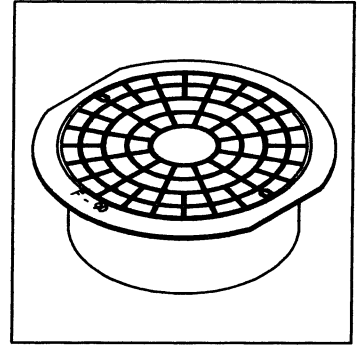
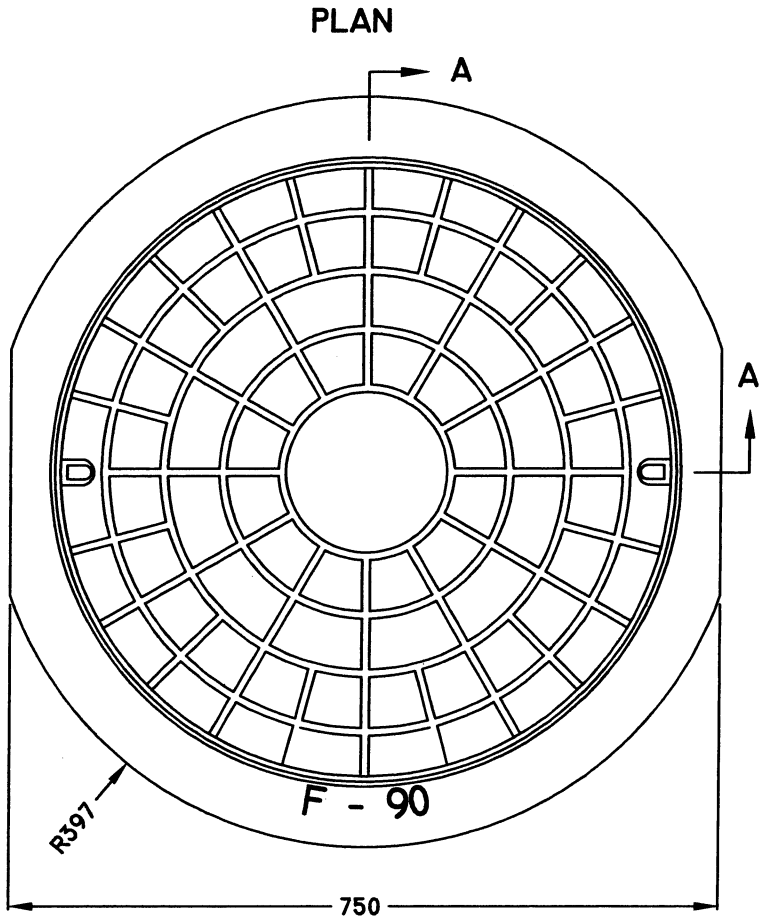
TF-80



SECTION A-A

FLOATING TYPE MANHOLE FRAME AND COVER

TF-90



SECTION A-A

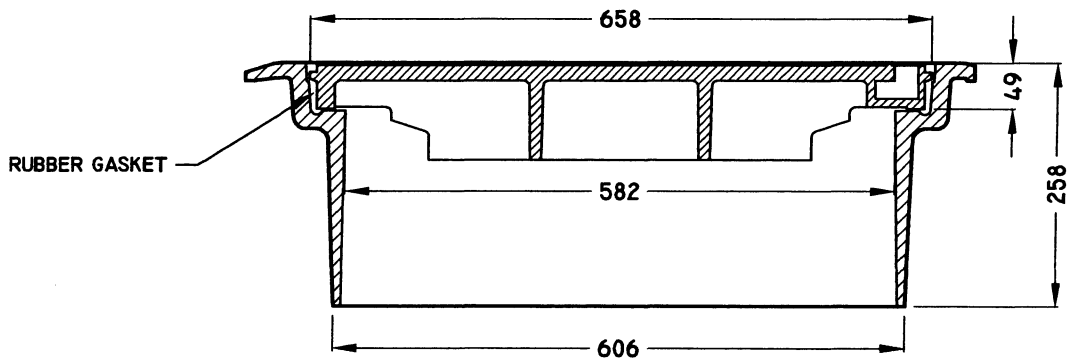
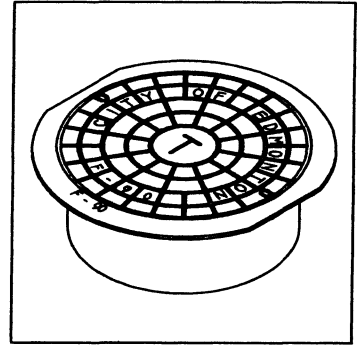
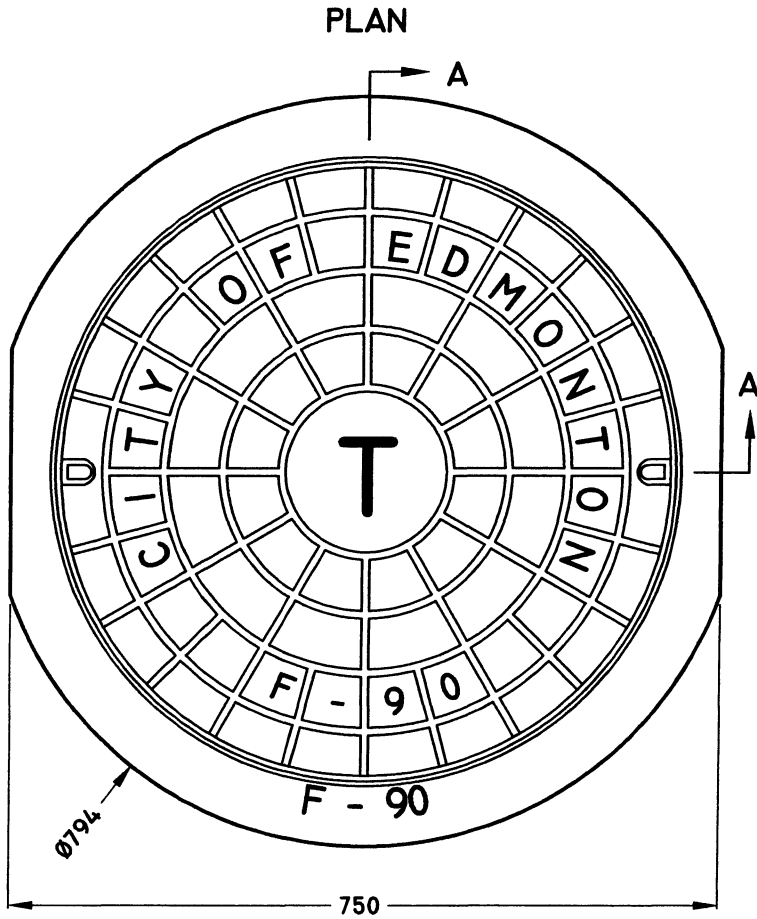
ISO 9001-2000 CERTIFIED

RATED FOR HS-20 LIVE LOAD

MEASUREMENTS IN MILLIMETERS

FLOATING TYPE MANHOLE FRAME AND COVER

TF-90



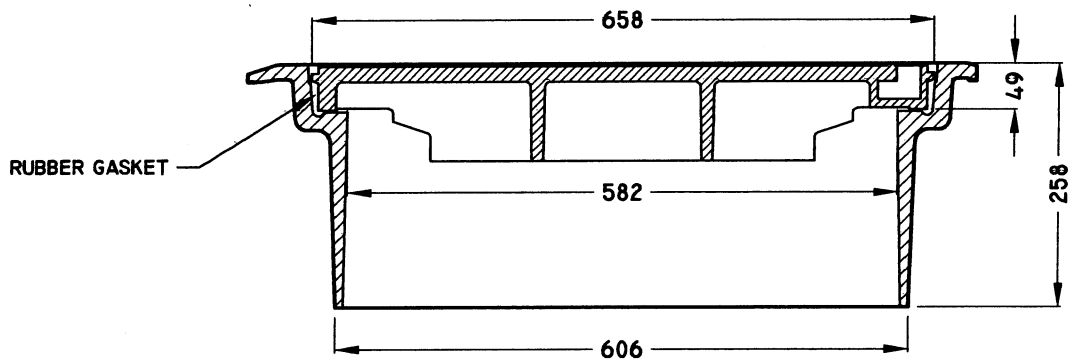
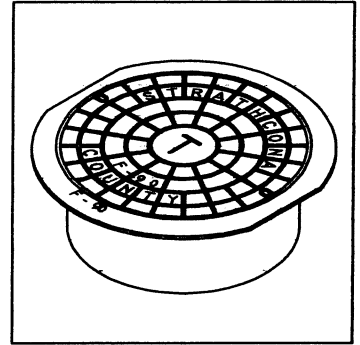
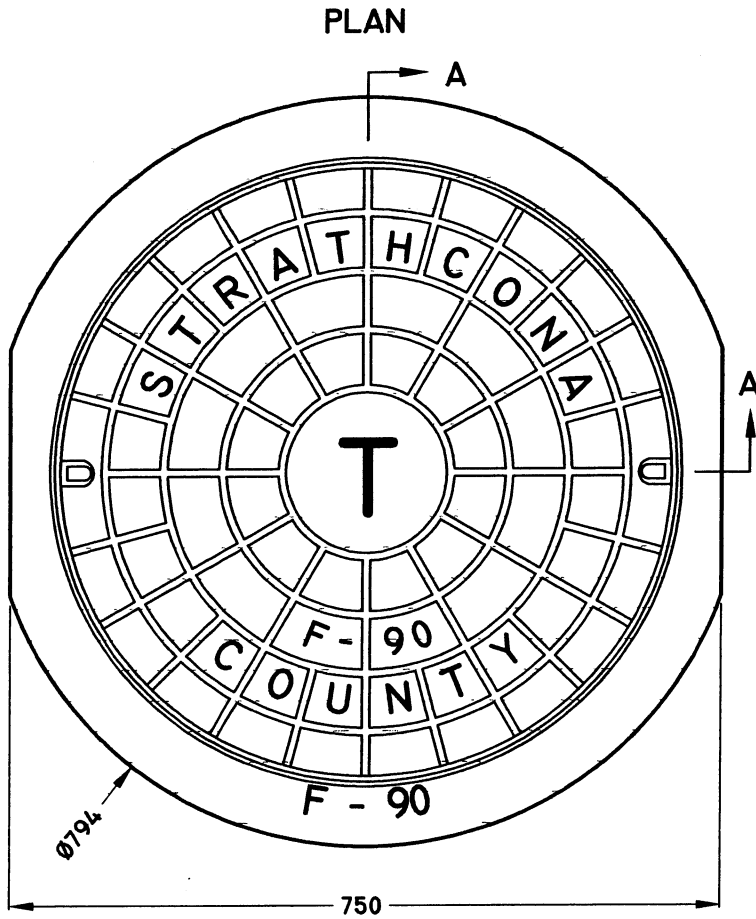
ISO 9001-2000 CERTIFIED

RATED FOR HS-20 LIVE LOAD

MEASUREMENTS IN MILLIMETERS

FLOATING TYPE MANHOLE FRAME AND COVER

TF-90

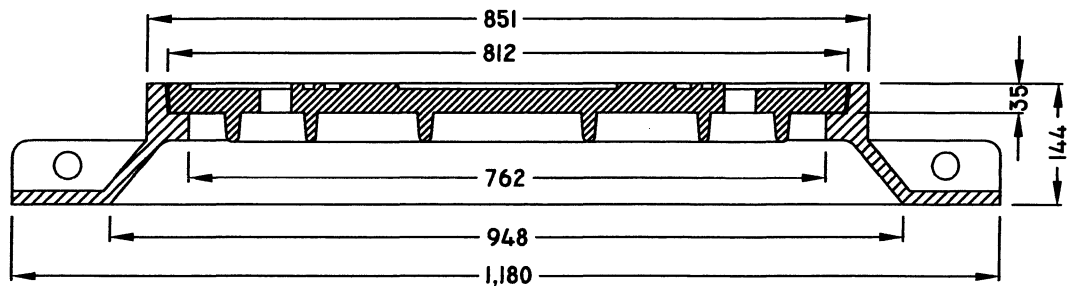
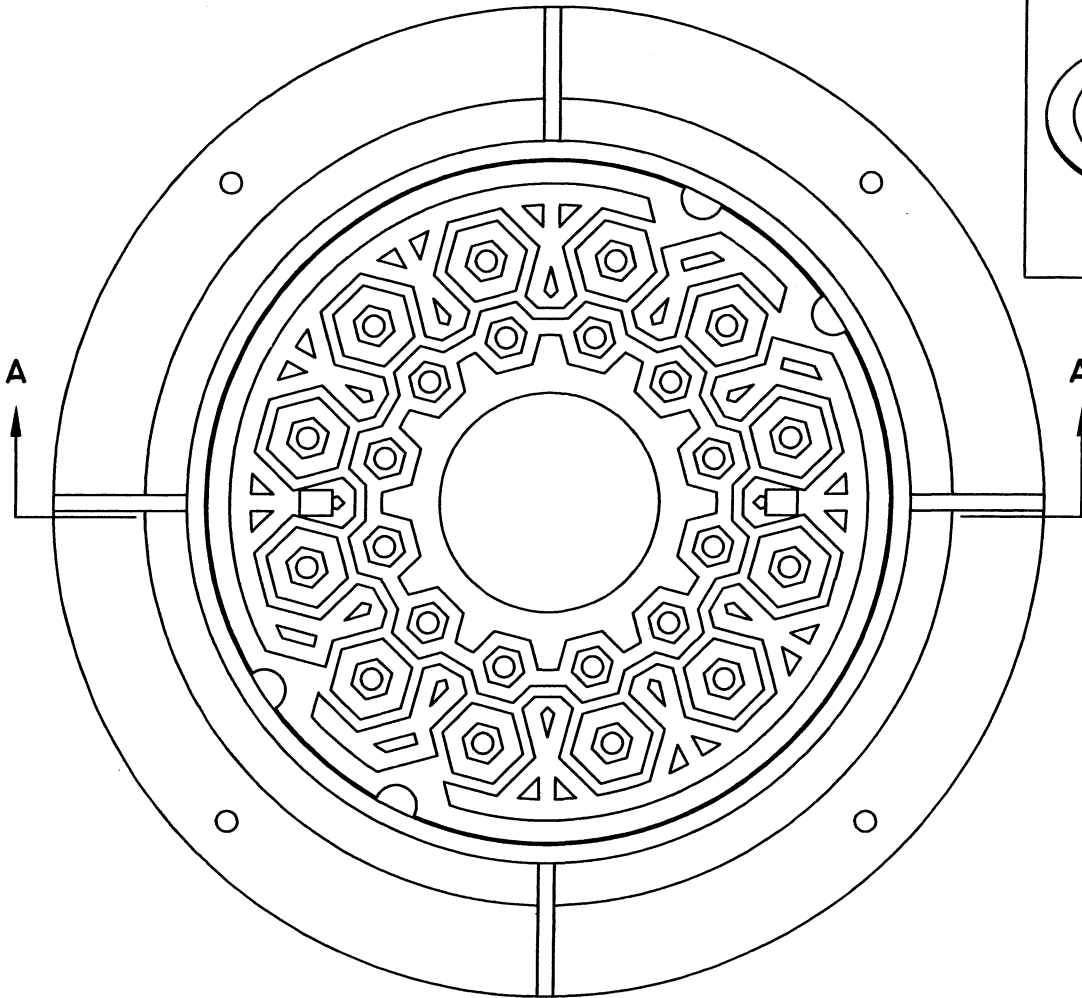
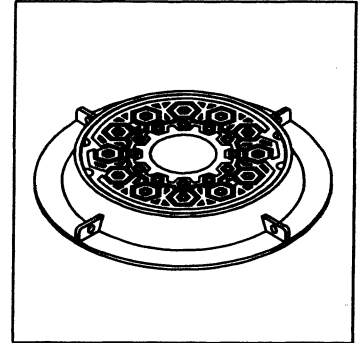


SECTION A-A

FRAME AND COVER

PM-A

PLAN



SECTION A-A

ISO 9001-2000 CERTIFIED

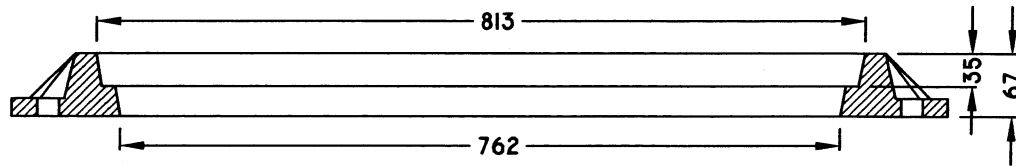
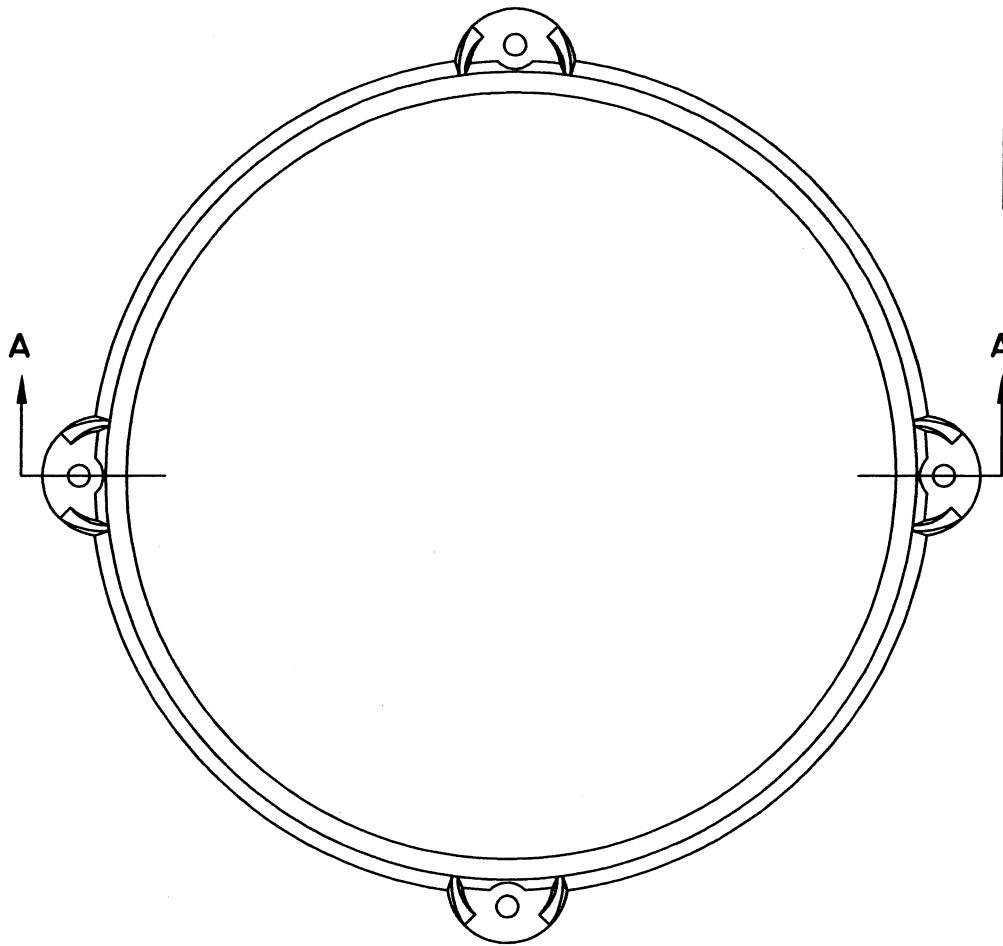
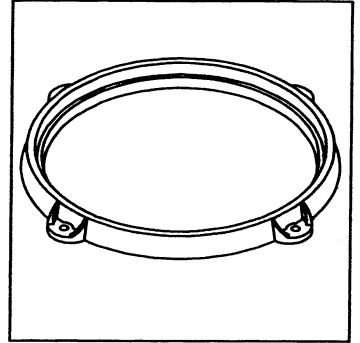
RATED FOR HS-20 LIVE LOAD

MEASUREMENTS IN MILLIMETERS

PMR FRAME

PMR

PLAN



SECTION A-A

ISO 9001-2000 CERTIFIED

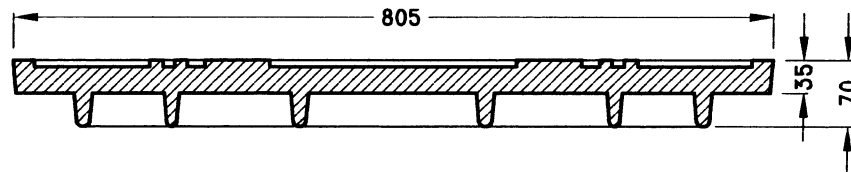
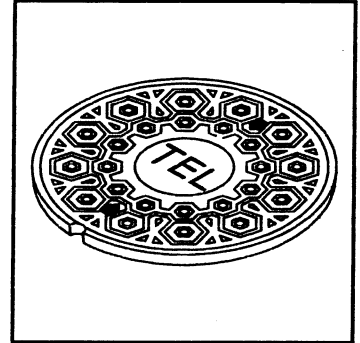
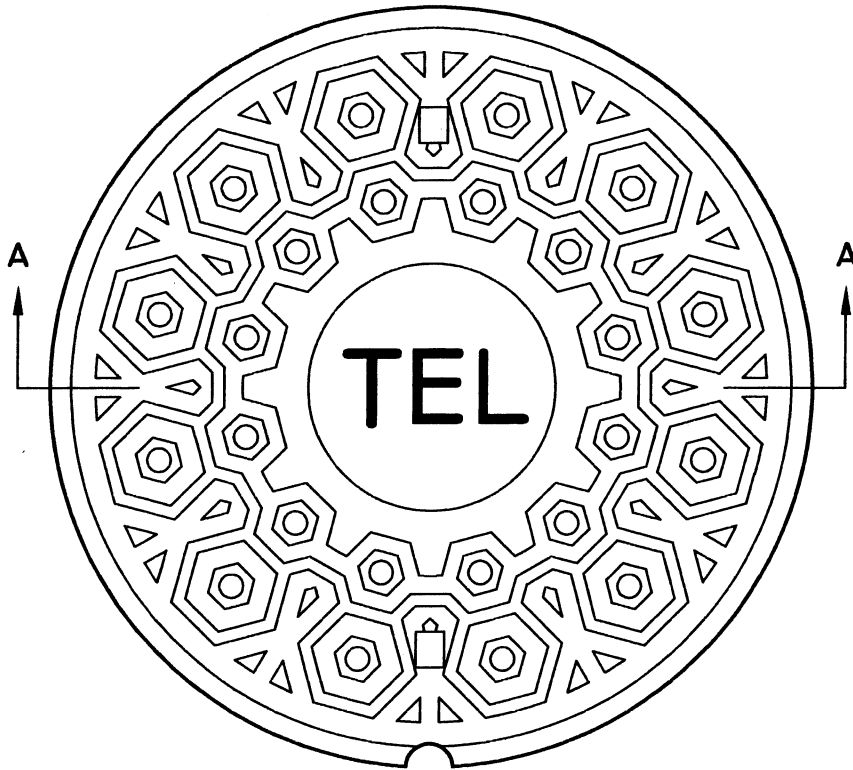
RATED FOR HS-20 LIVE LOAD

MEASUREMENTS IN MILLIMETERS

TELUS COVER

PM-A

PLAN

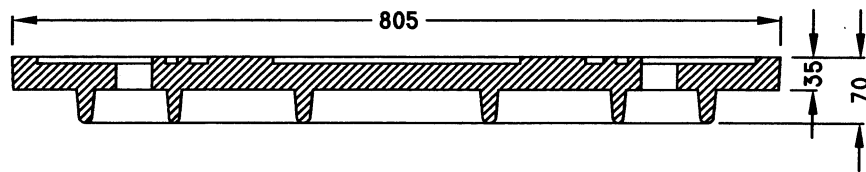
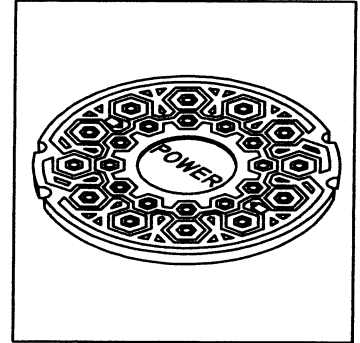
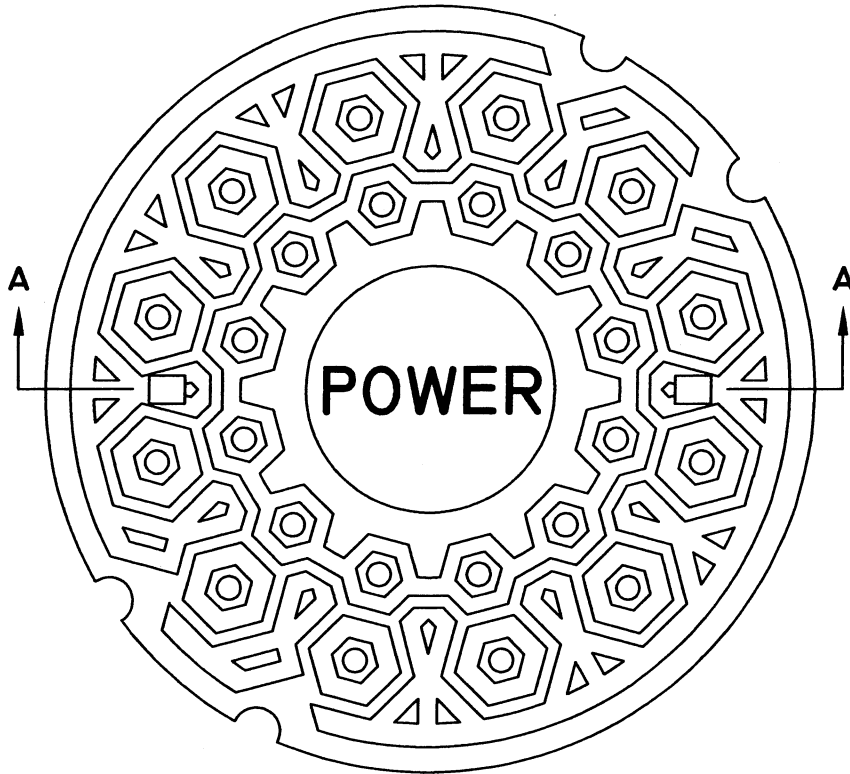


SECTION A-A

POWER COVER

PM-A

PLAN

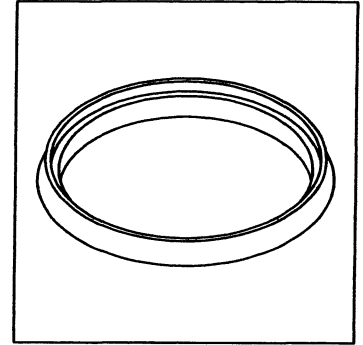
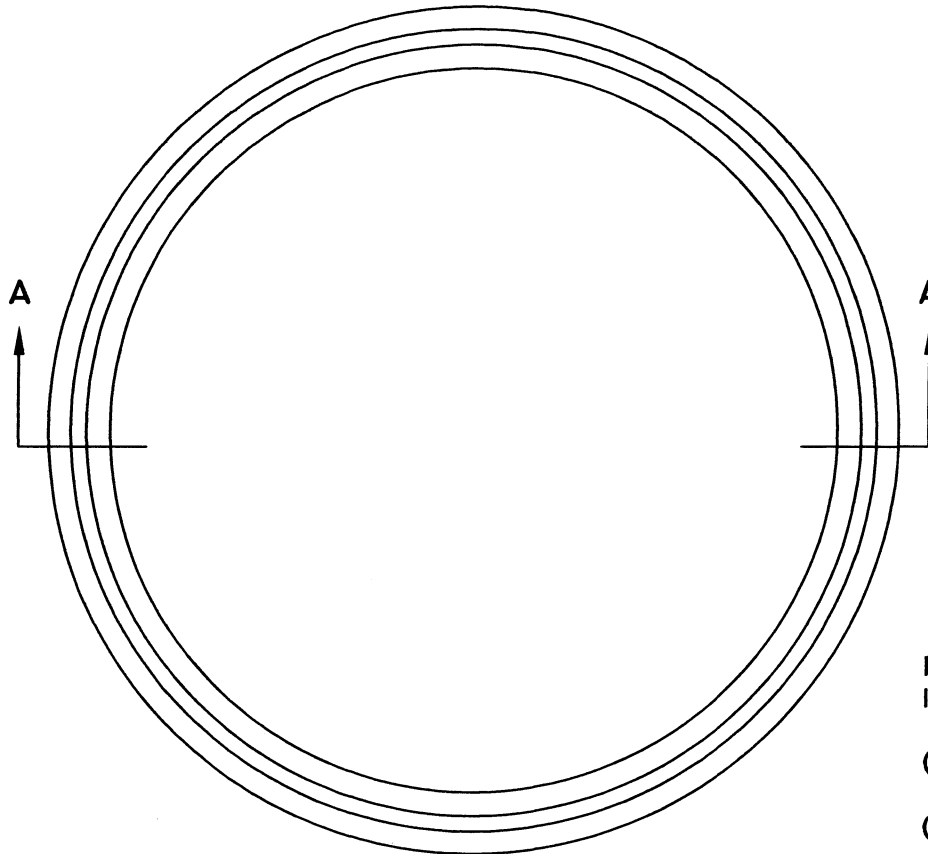


SECTION A-A

RISERS

PM-A

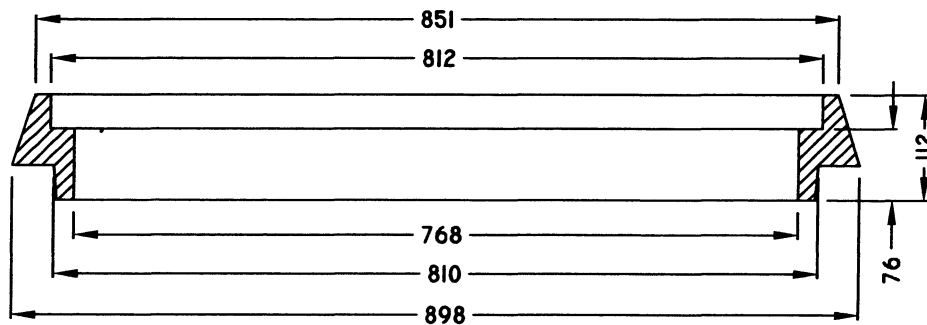
PLAN



RISER RINGS AVAILABLE
IN TWO SIZES:

(1) - 51MM

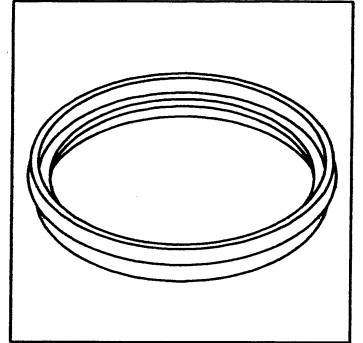
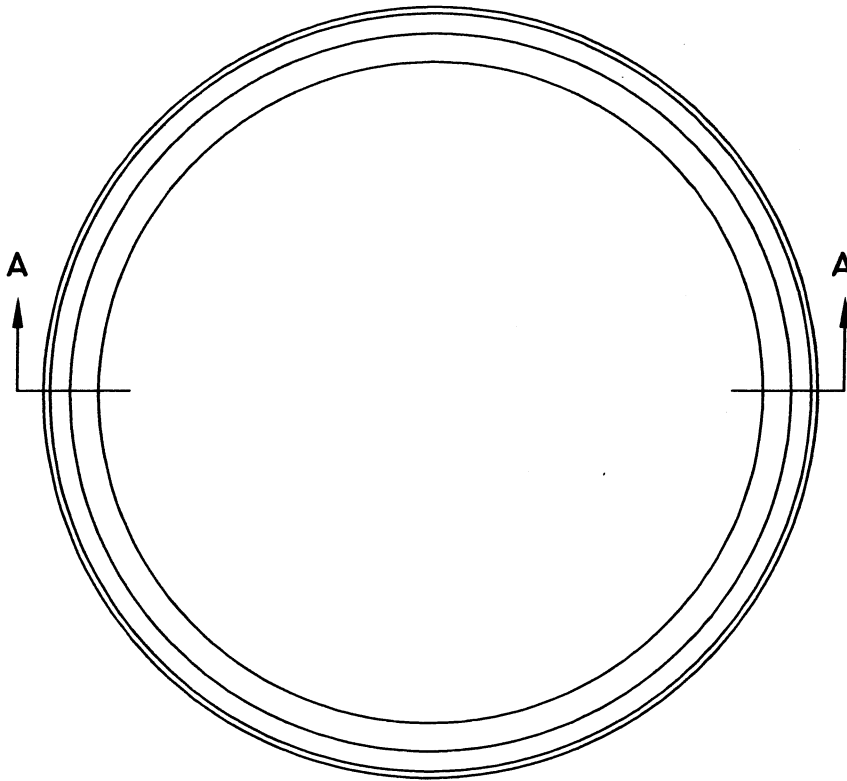
(2) - 76MM



SECTION A-A

MEDICINE HAT CONVERSION RINGS

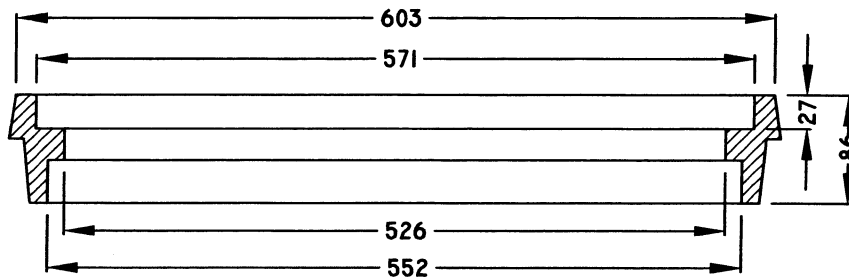
PLAN



RINGS AVAILABLE IN TWO SIZES:

(1) - 38MM

(2) - 51MM



SECTION A-A