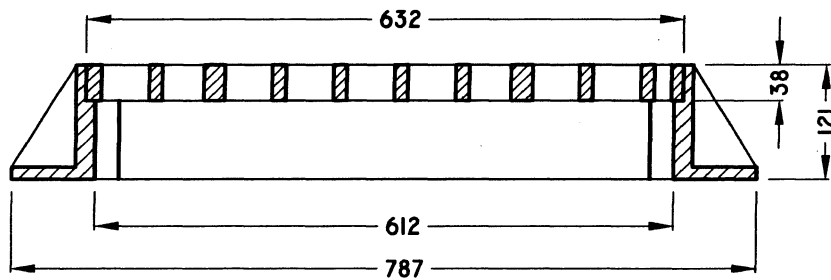
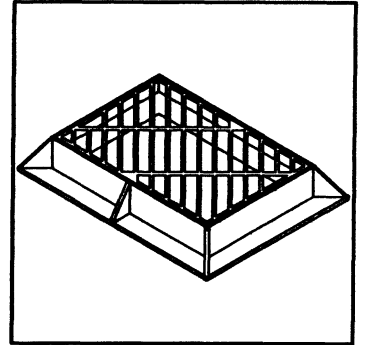
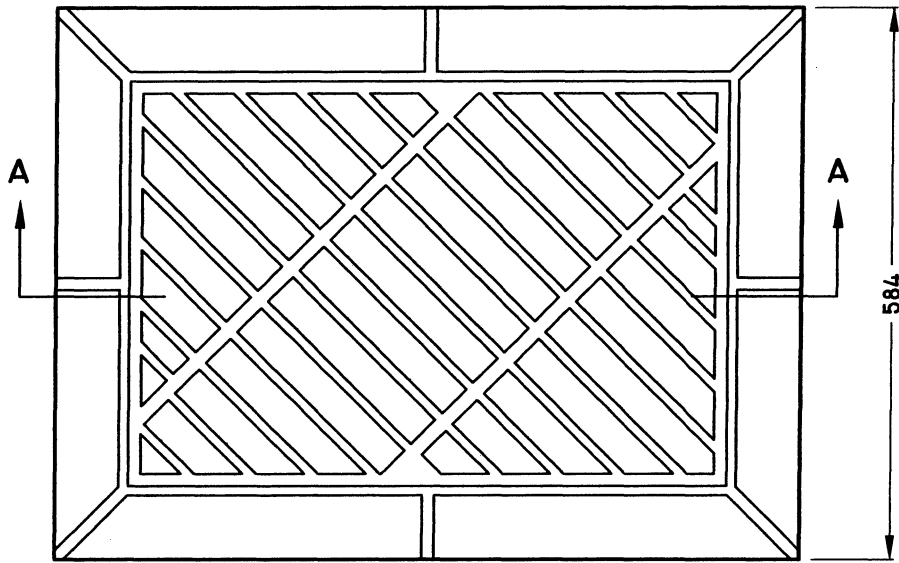


FRAME AND GRATE

K-1/TF-5I

PLAN

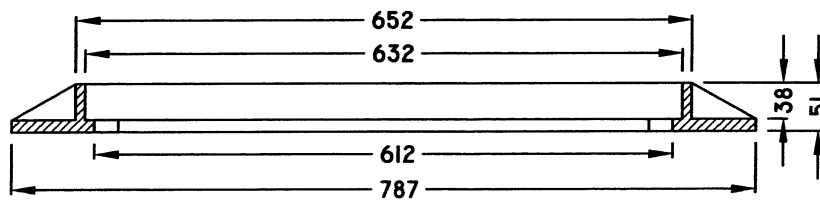
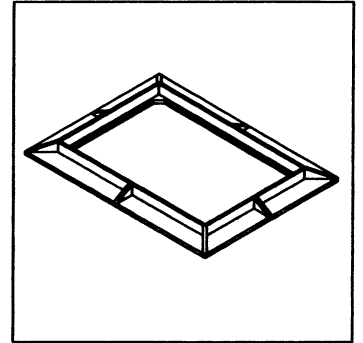
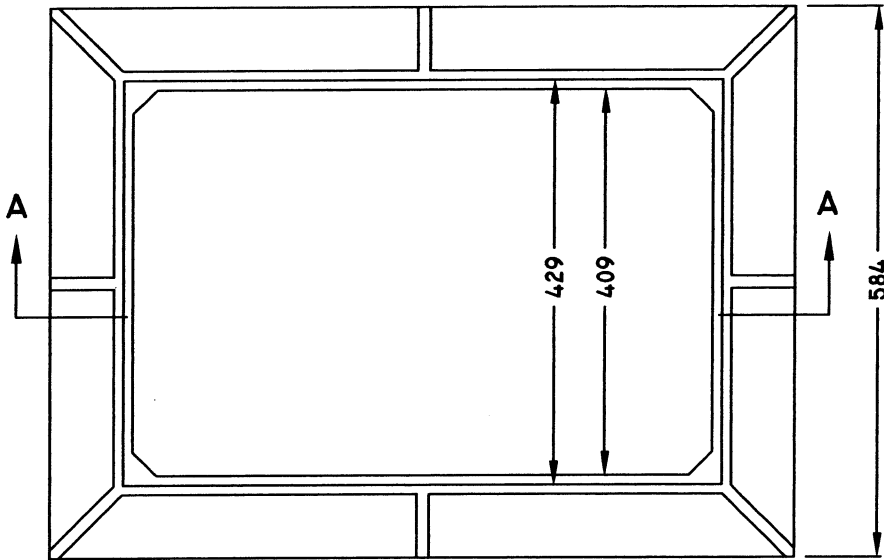


SECTION A-A

LOW PROFILE FRAME

T-KI

PLAN

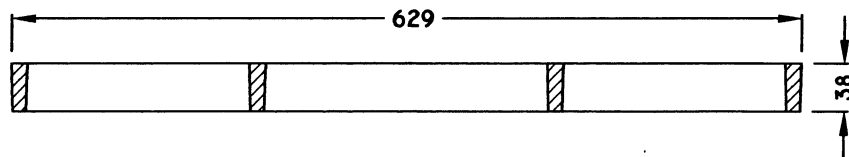
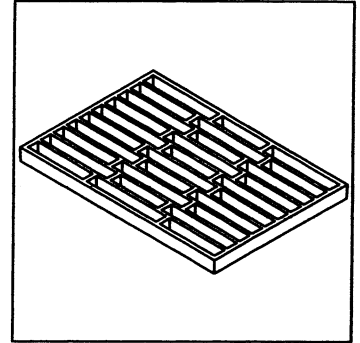
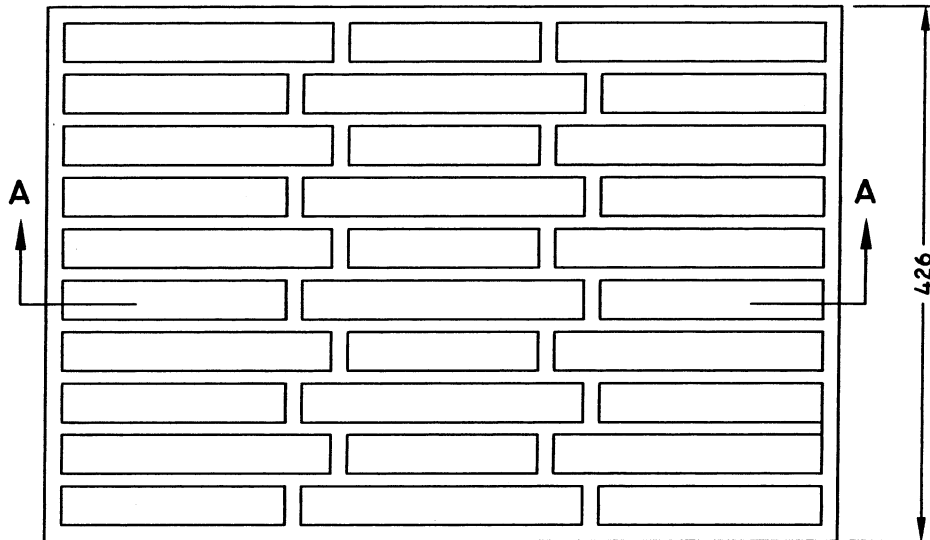


SECTION A-A

STANDARD GRATE

T-KI

PLAN

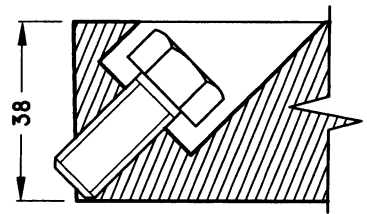
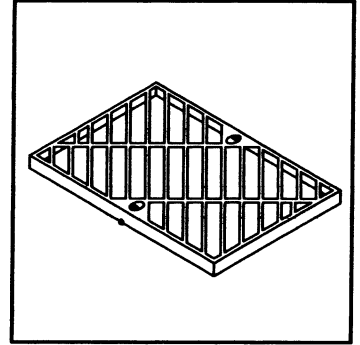
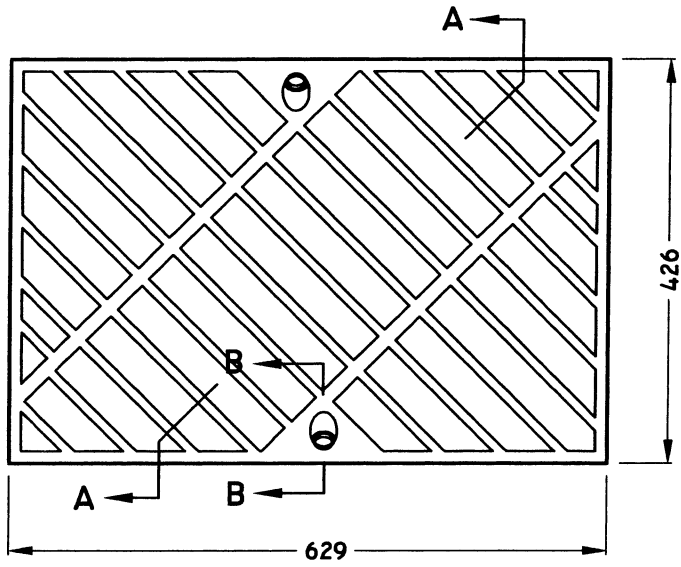


SECTION A-A

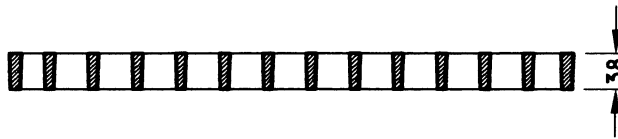
LOCKING GRATE

K-I/TF-5I

PLAN



SECTION B-B

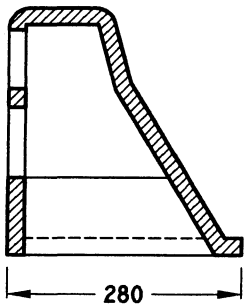
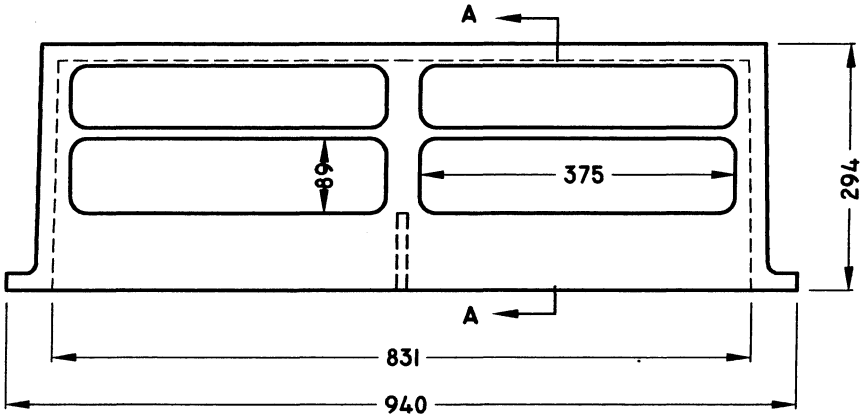
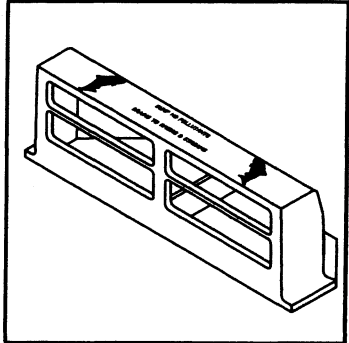
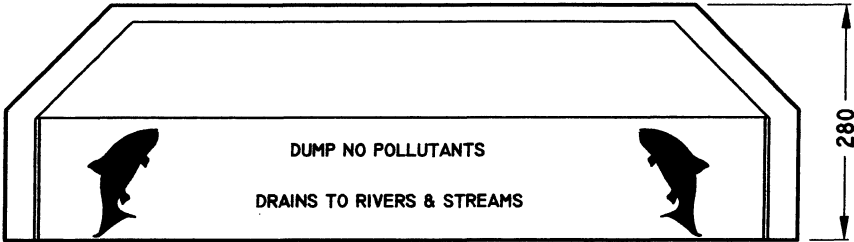


SECTION A-A

I PIECE SIDE INLET

K-I/TF-5I

PLAN



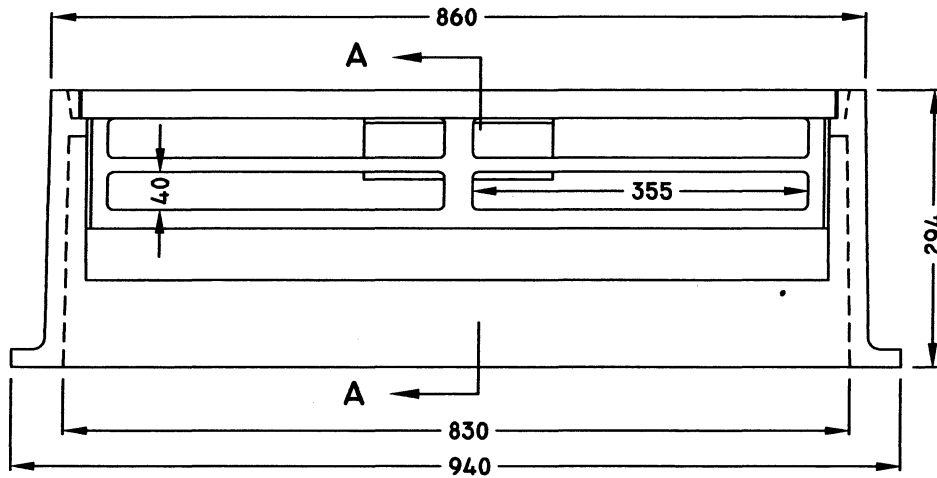
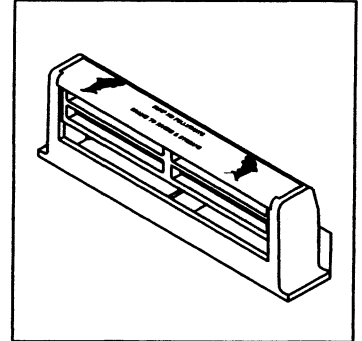
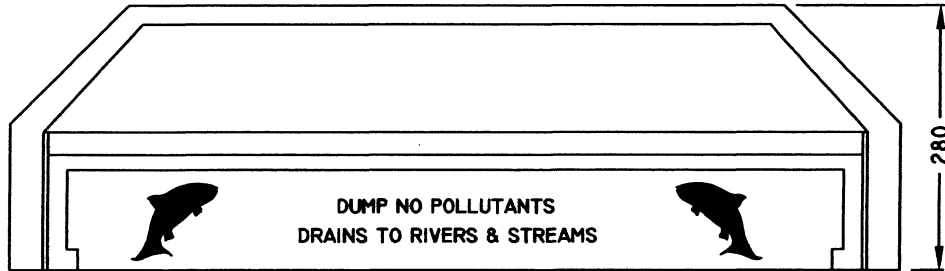
FRONT VIEW

SECTION A-A

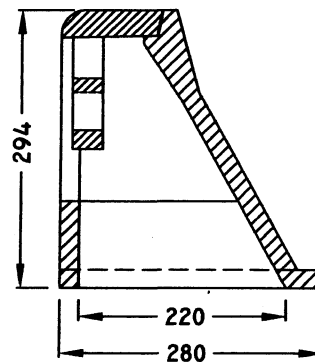
STANDARD 2 PIECE SIDE INLET

K-1A

PLAN



FRONT VIEW

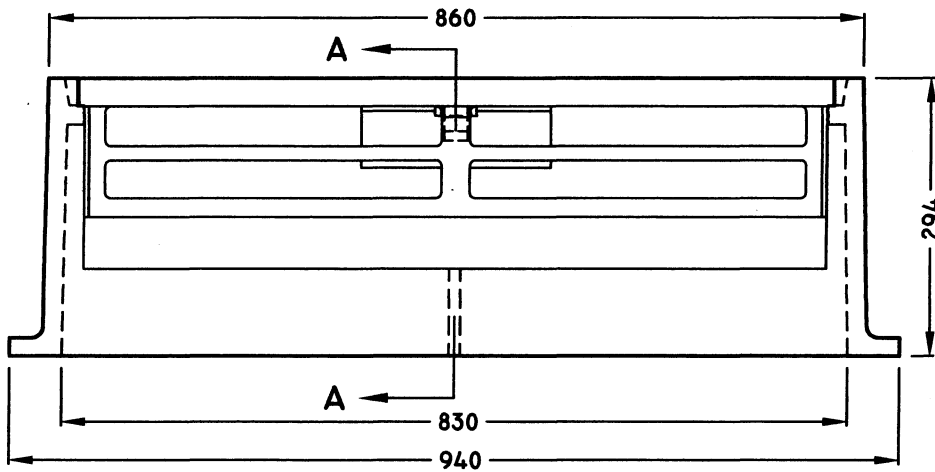
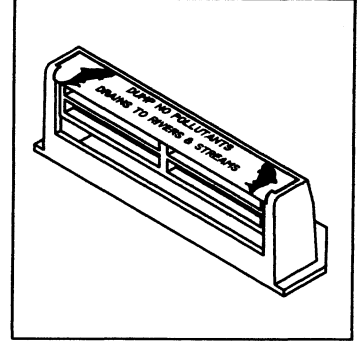
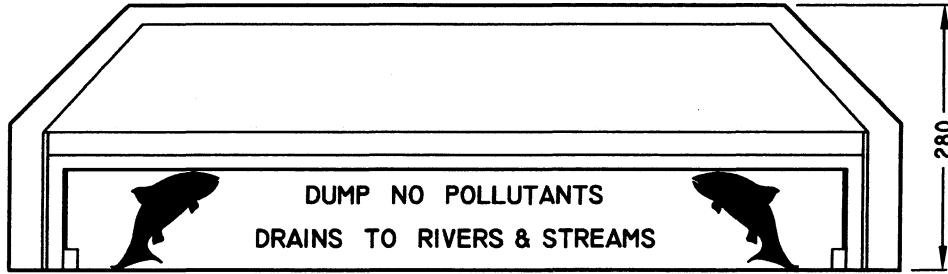


SECTION A-A

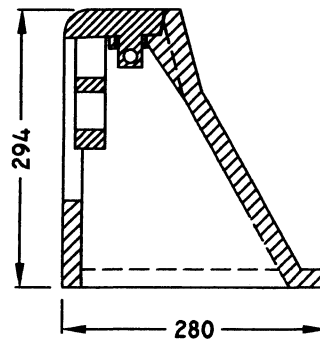
2 PIECE SIDE INLET WITH LOCK

K-1A/51A

PLAN



FRONT VIEW

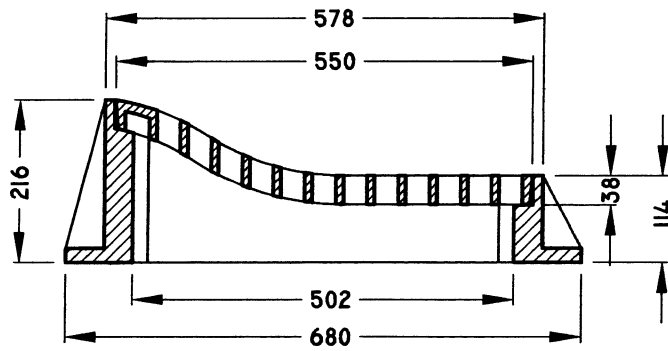
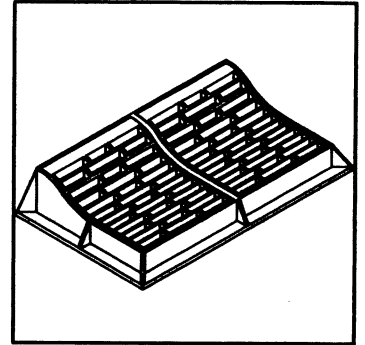
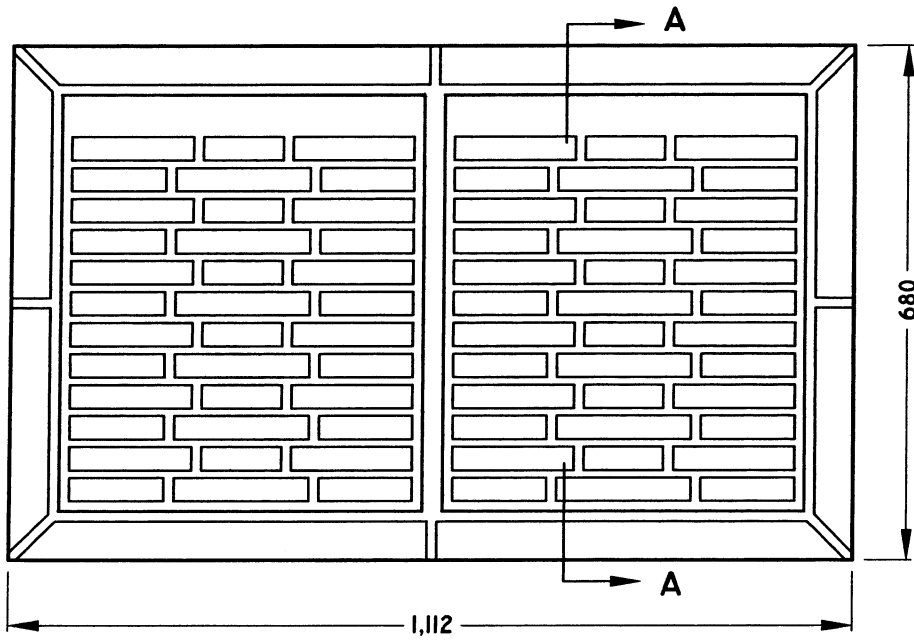


SECTION A-A

FRAME AND GRATE

K-2

PLAN

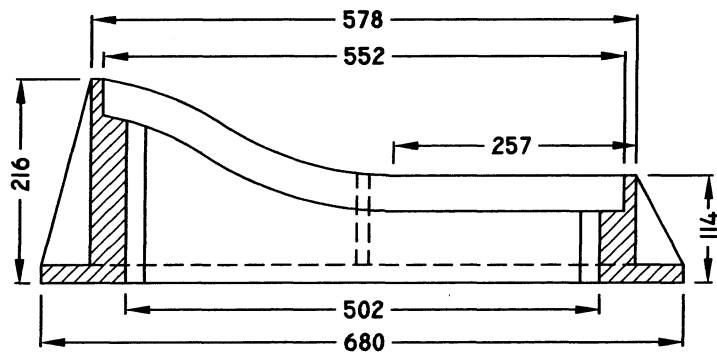
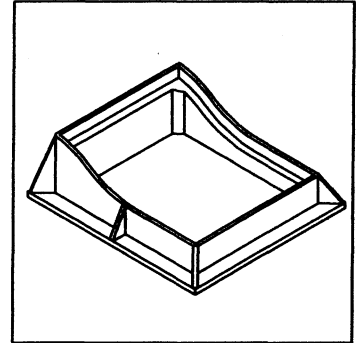
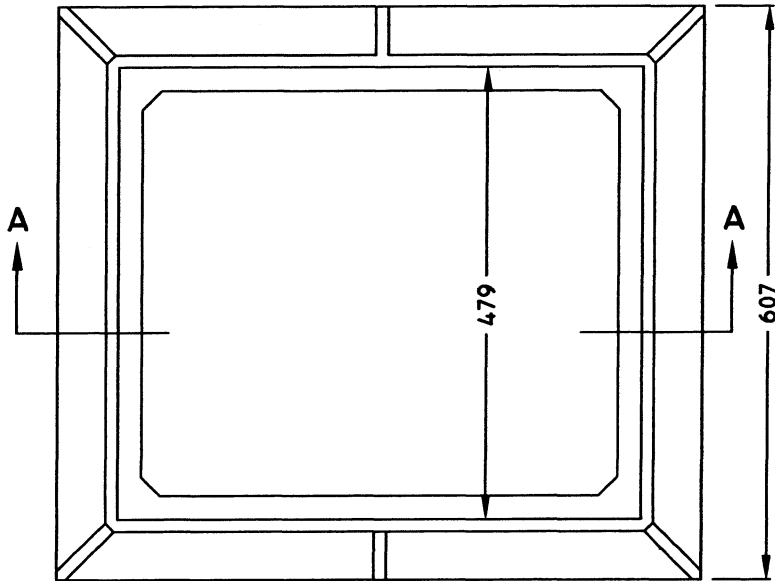


SECTION A-A

STANDARD FRAME

T-K5

PLAN

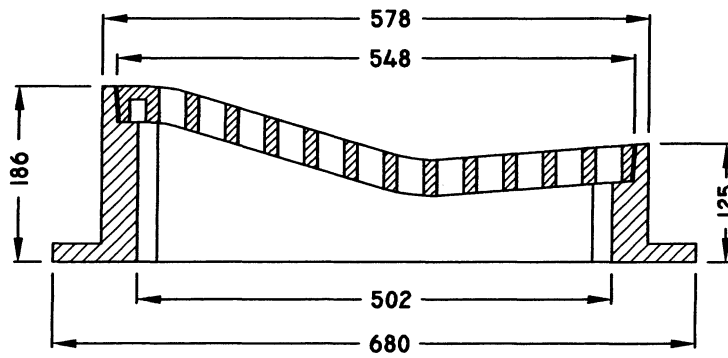
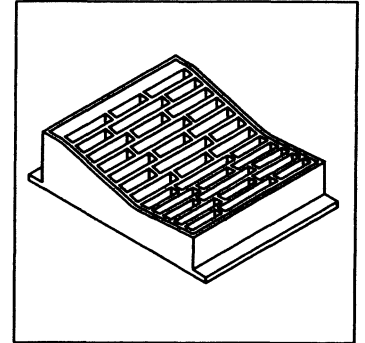
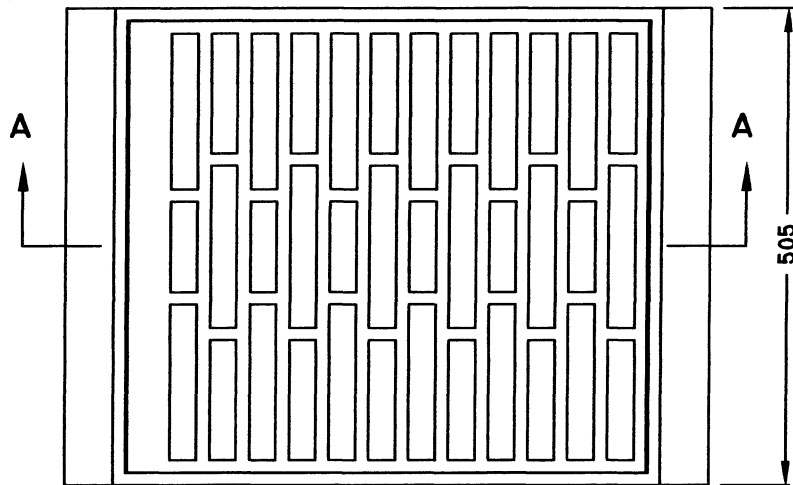


SECTION A-A

SINGLE FRAME AND GRATE

T-K7

PLAN

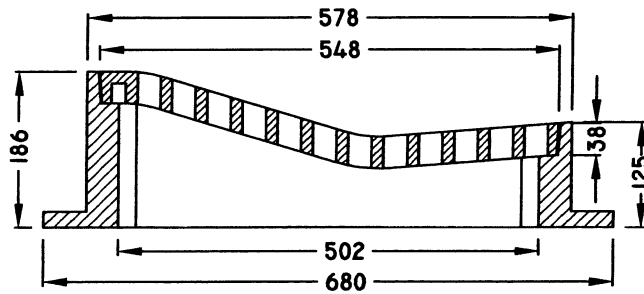
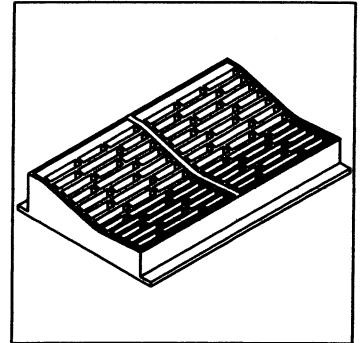
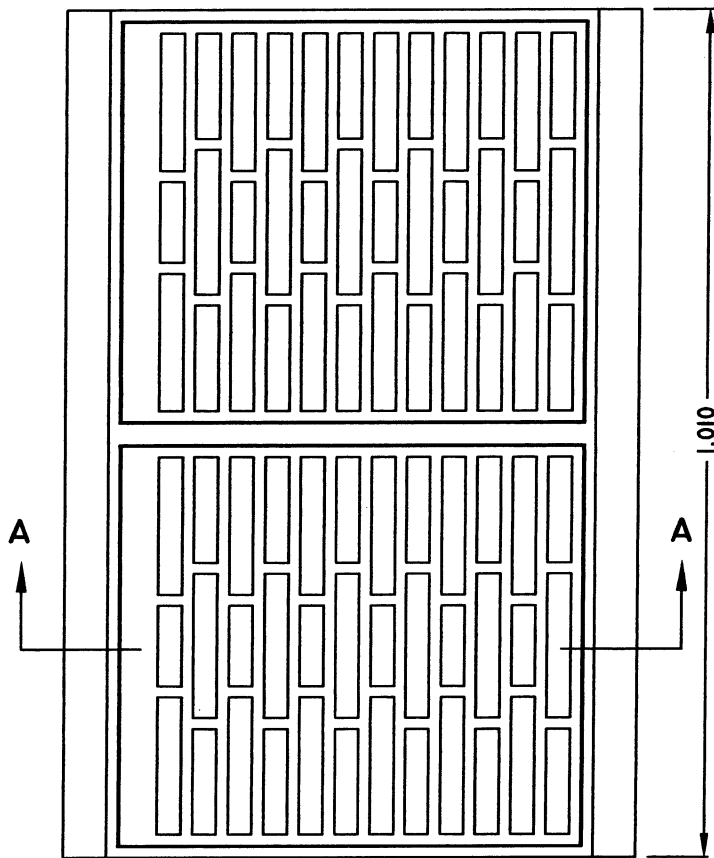


SECTION A-A

DOUBLE FRAME AND GRATE

T-K7

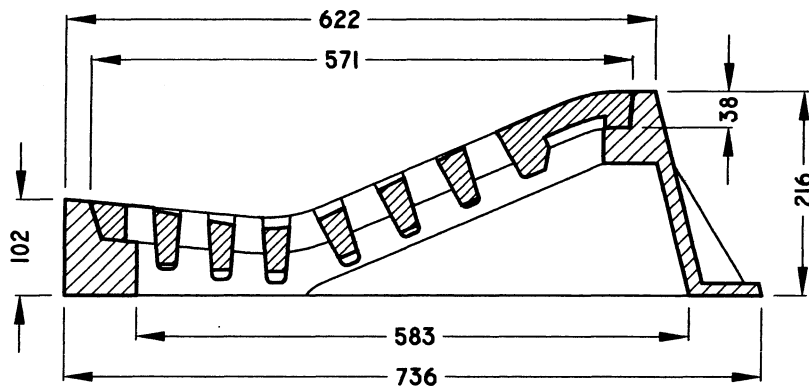
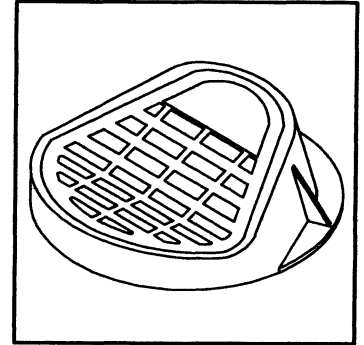
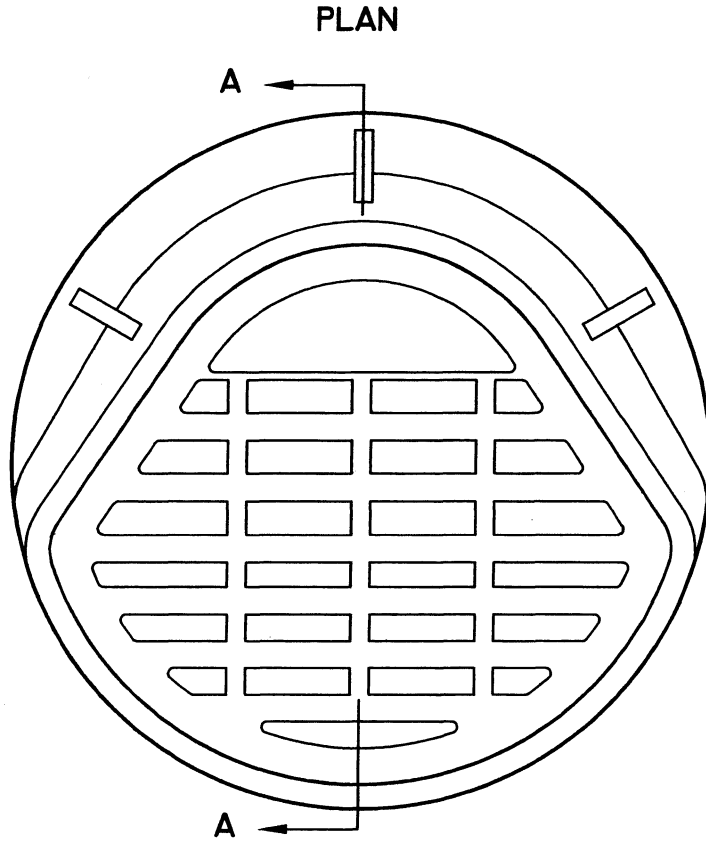
PLAN



SECTION A-A

FRAME AND GRATE

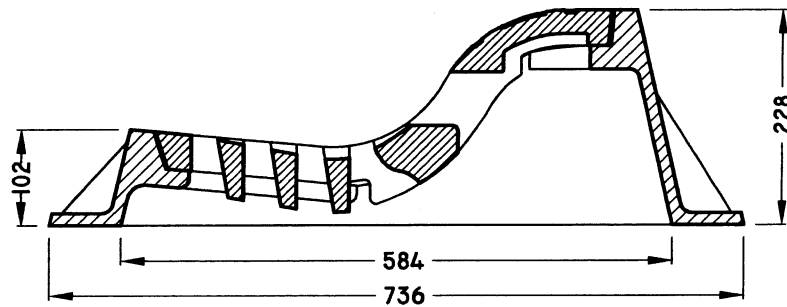
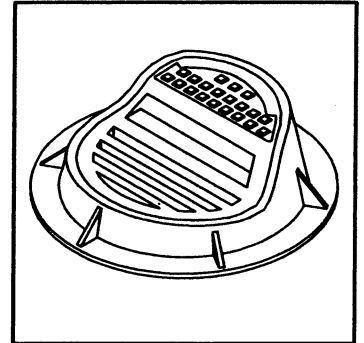
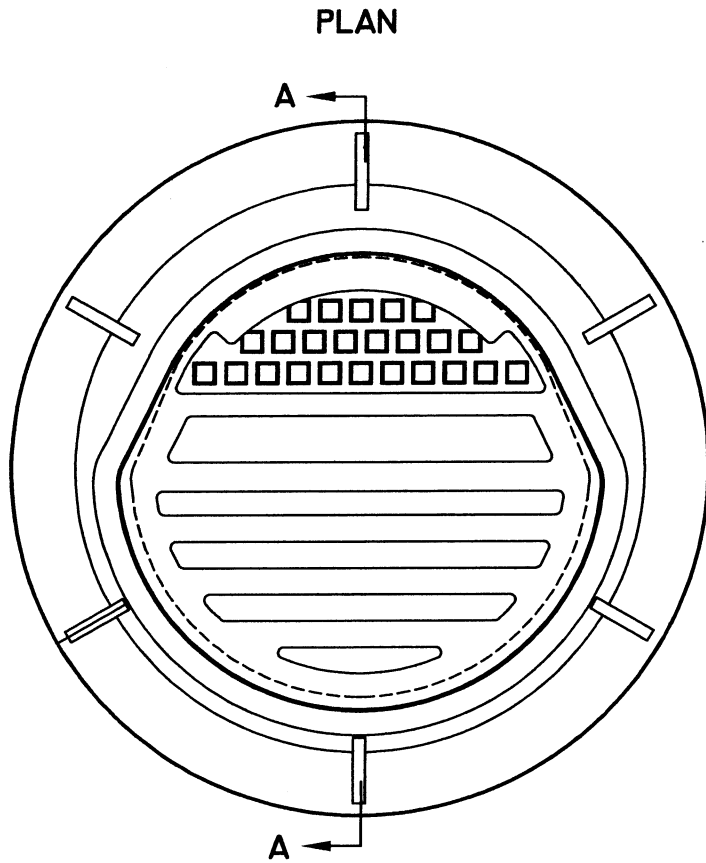
TF-33



SECTION A-A

FRAME AND 1 PIECE GRATE

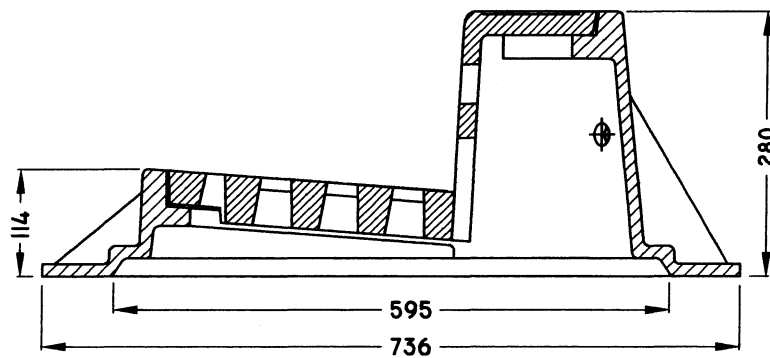
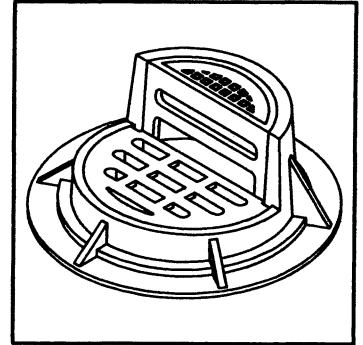
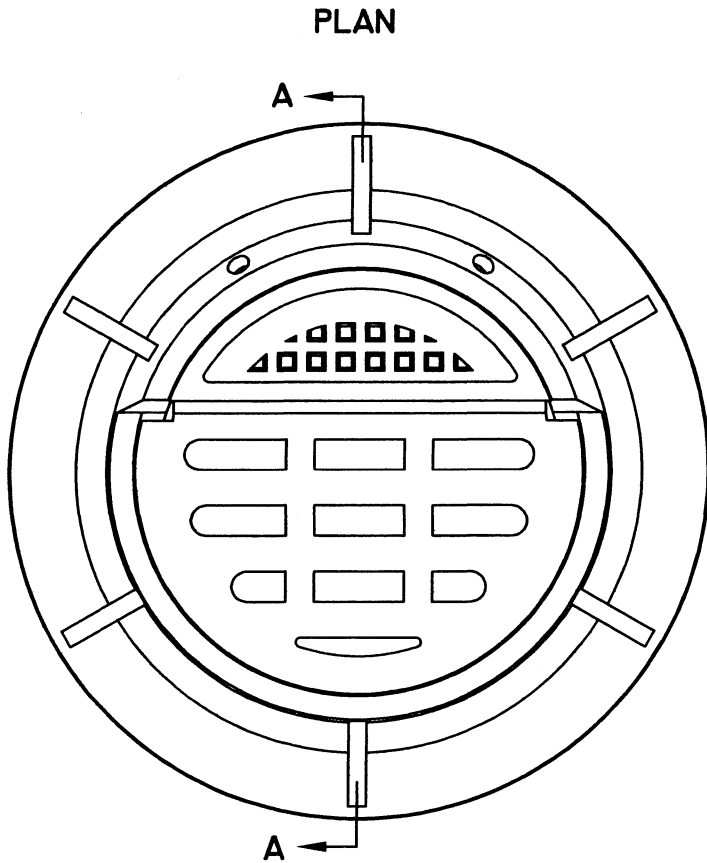
TF-35



SECTION A-A

FRAME AND 1 PIECE BIKE PROOF GRATE

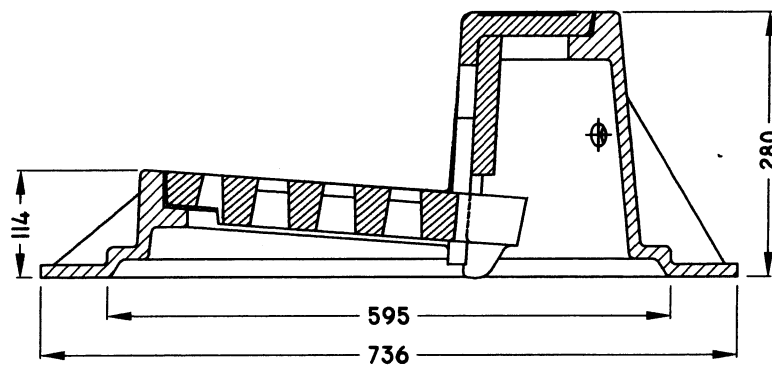
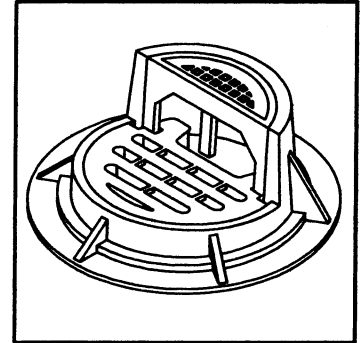
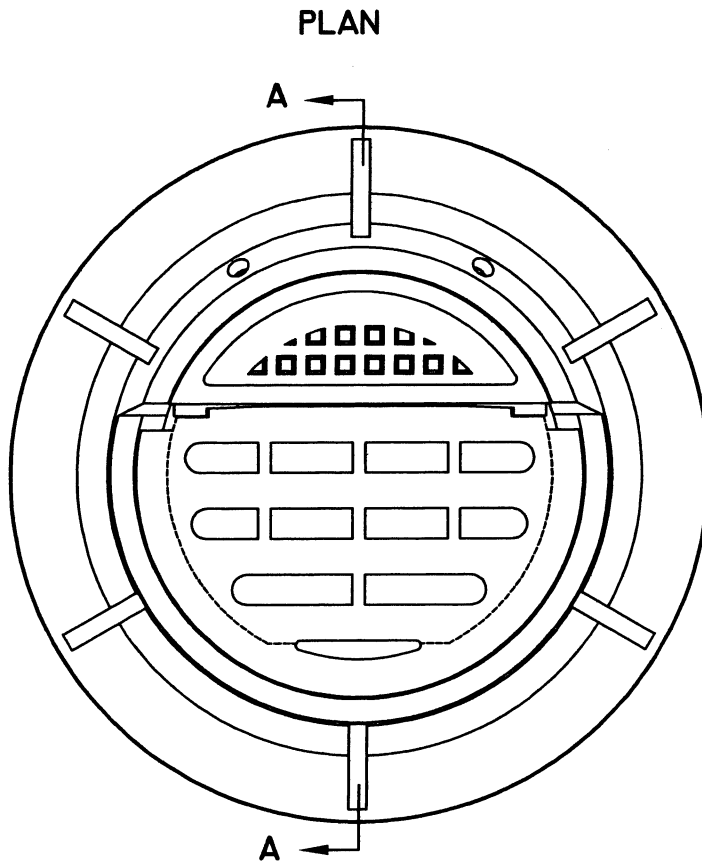
TF-36 BP



SECTION A-A

FRAME AND 2 PIECE BIKE PROOF GRATE

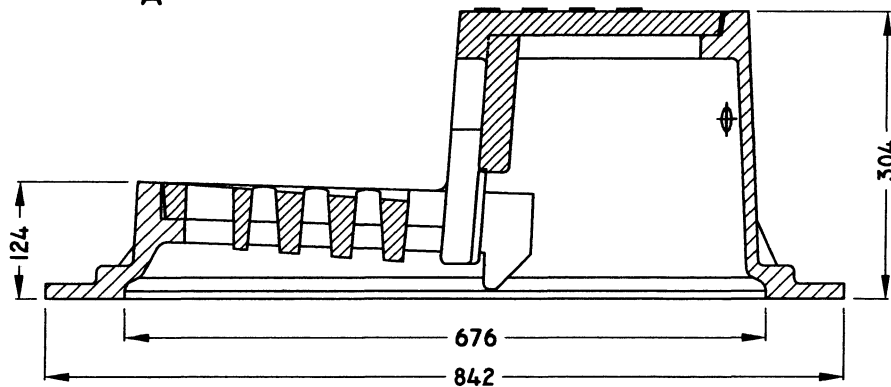
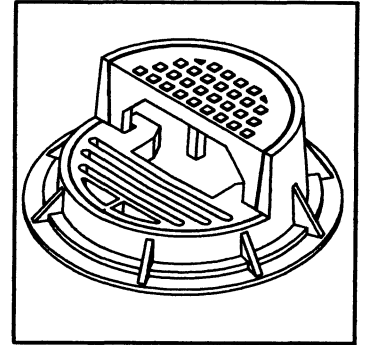
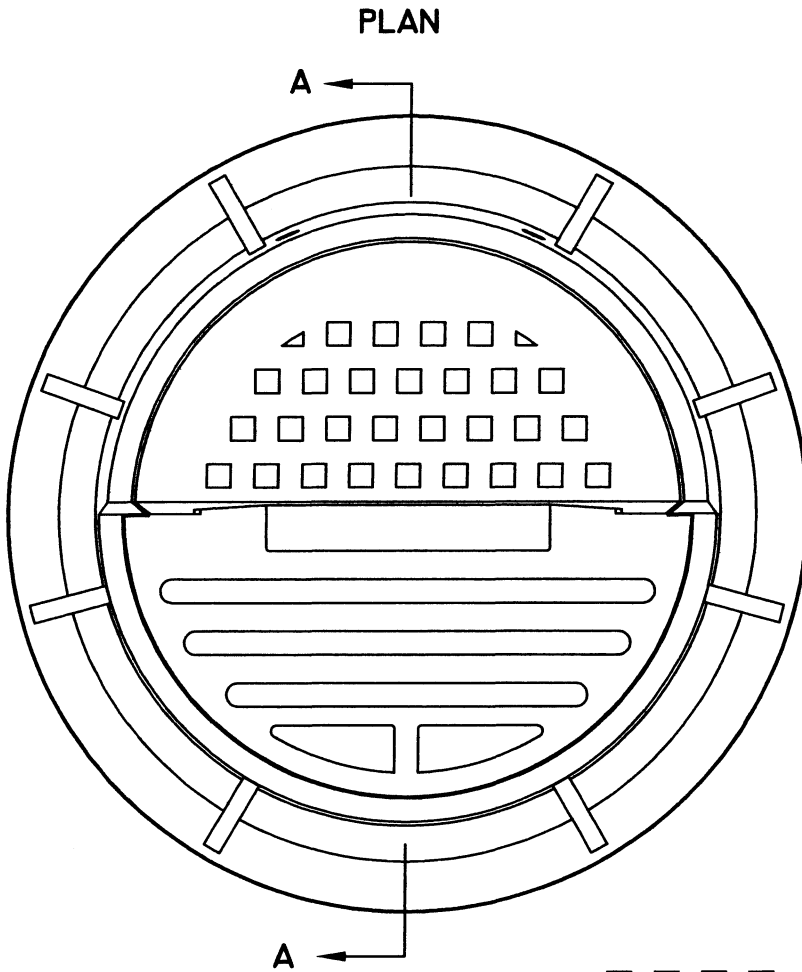
TF-36 BP



SECTION A-A

FRAME AND 2 PIECE GRATE

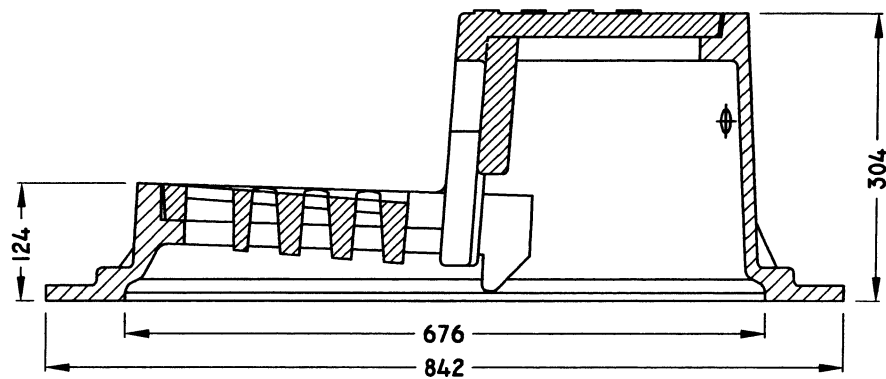
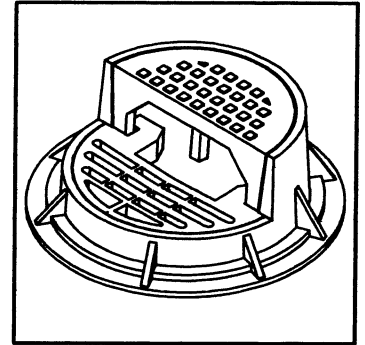
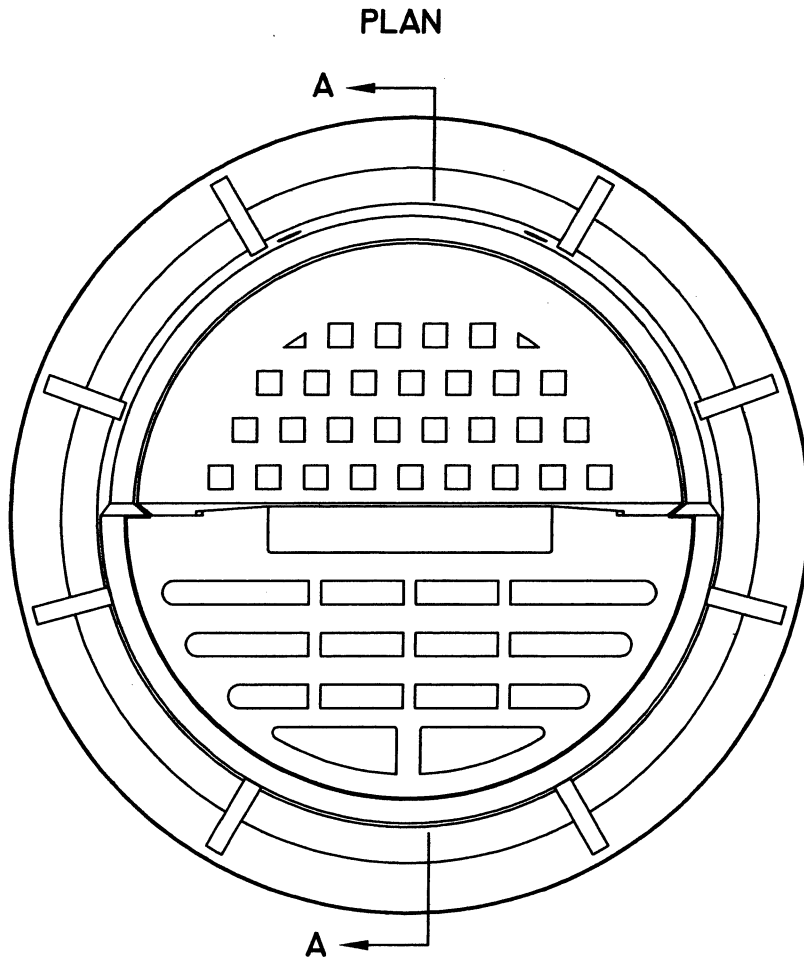
TF-36A



SECTION A-A

FRAME AND 2 PIECE BIKE PROOF GRATE

TF-36A-BP

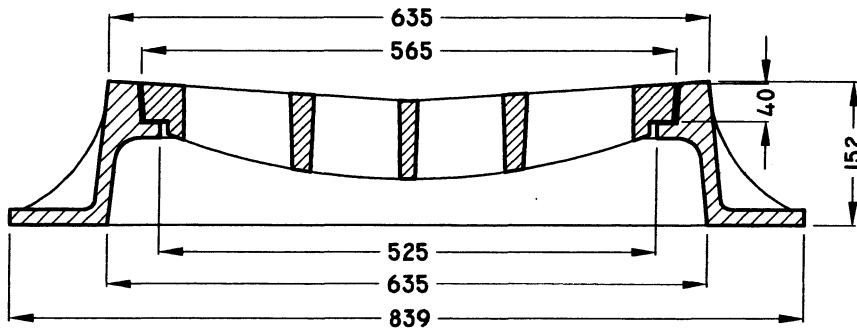
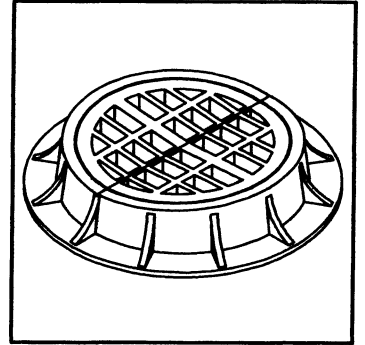
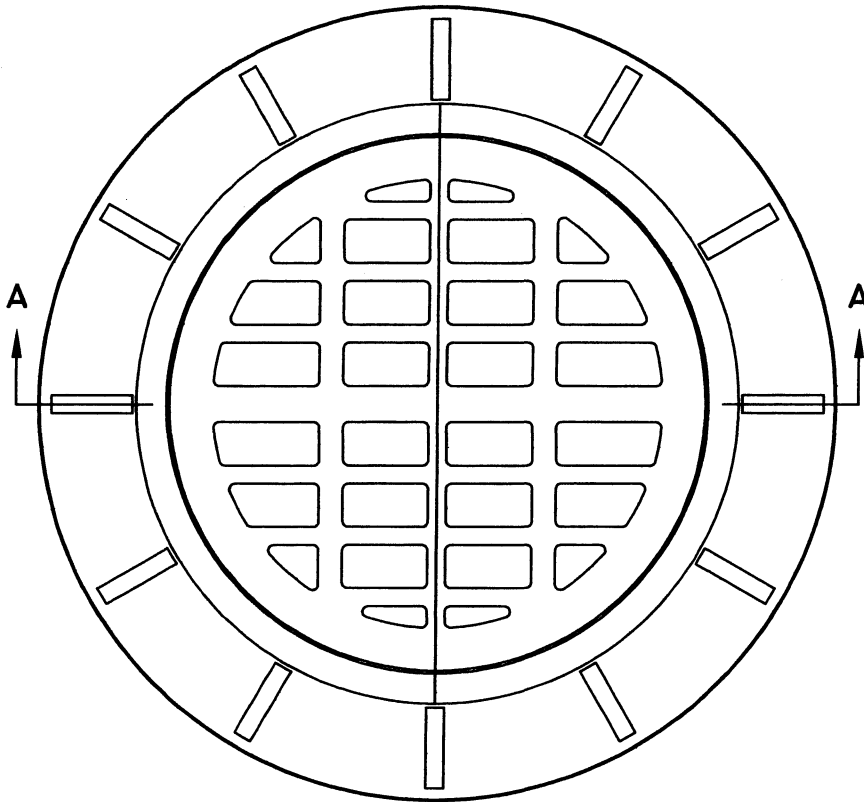


SECTION A-A

LANE PAVING FRAME AND GRATE

TF-38

PLAN

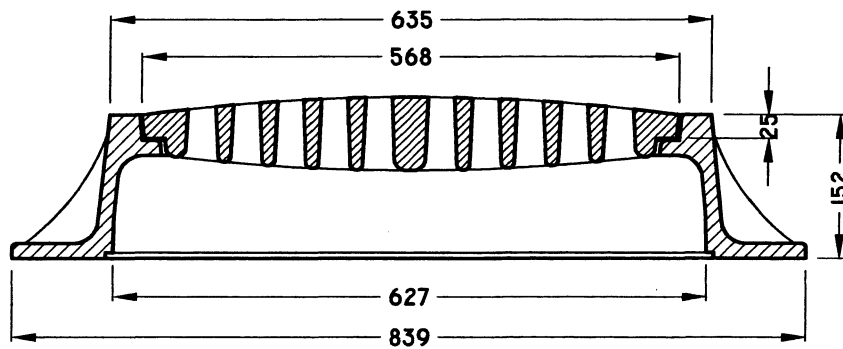
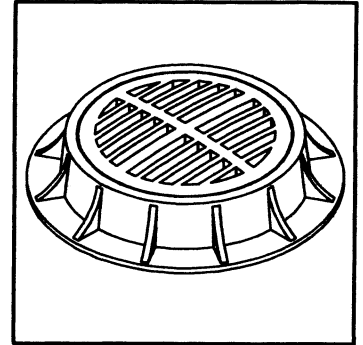
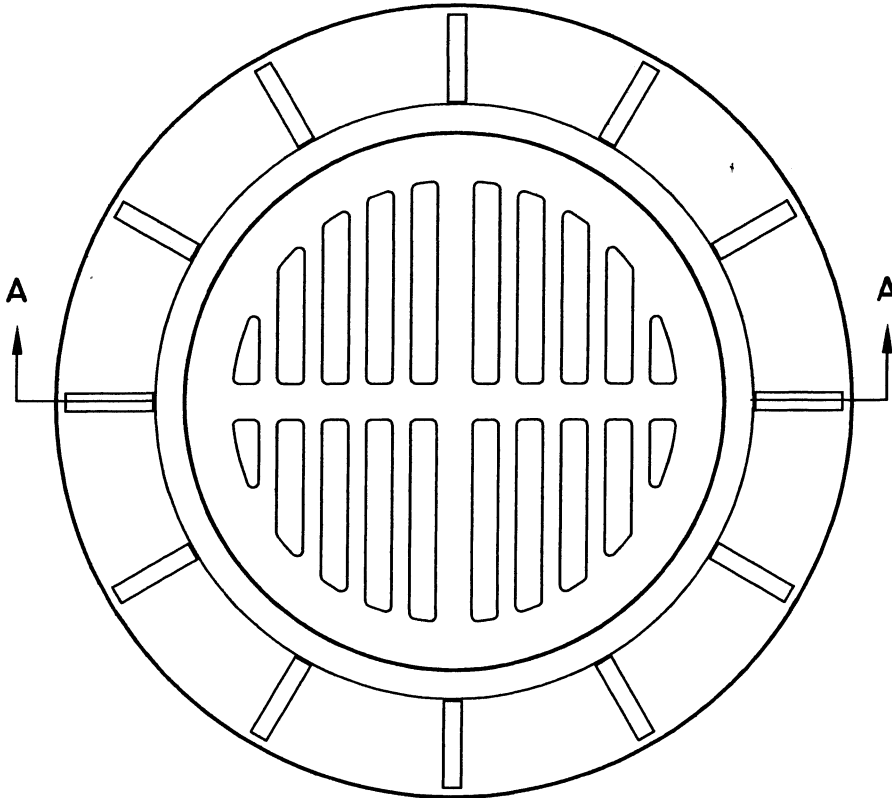


SECTION A-A

FRAME AND GRATE

TF-39

PLAN

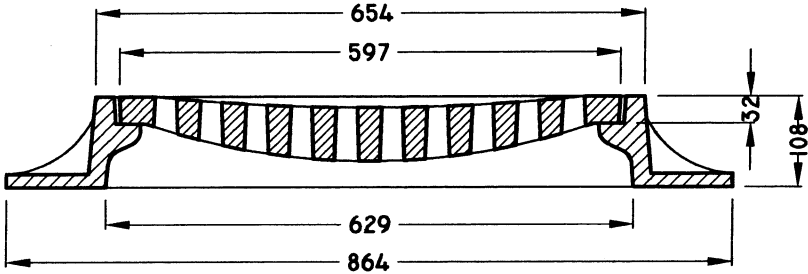
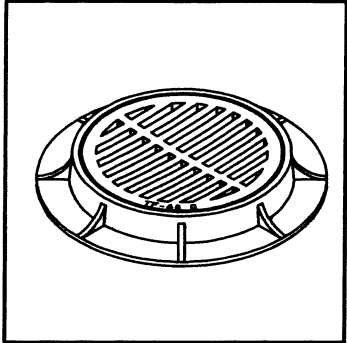
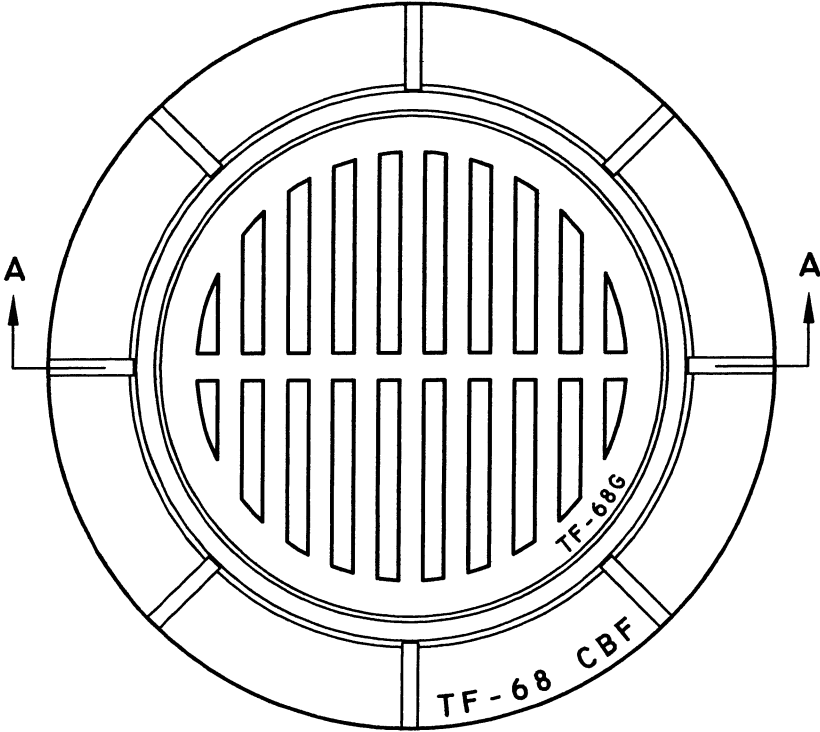


SECTION A-A

STANDARD FRAME AND GRATE

TF-68

PLAN

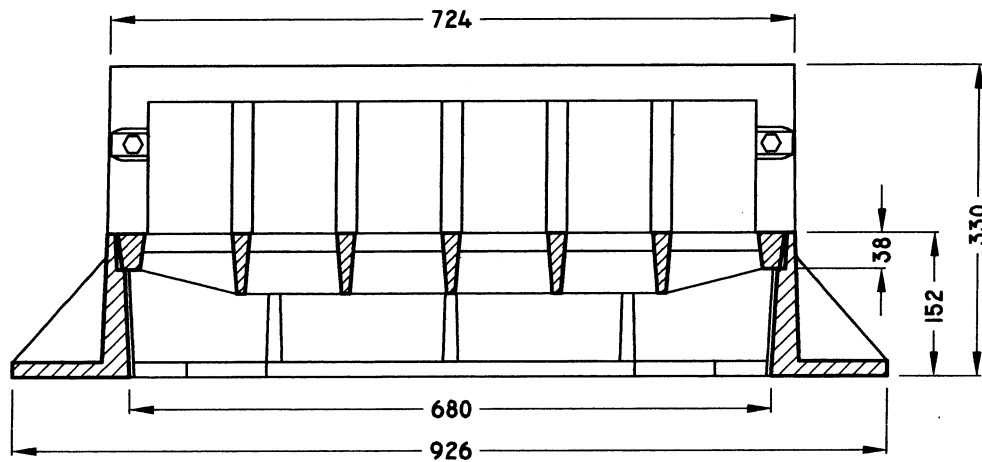
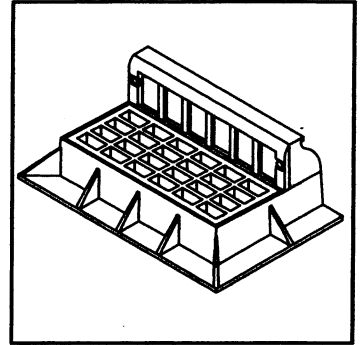
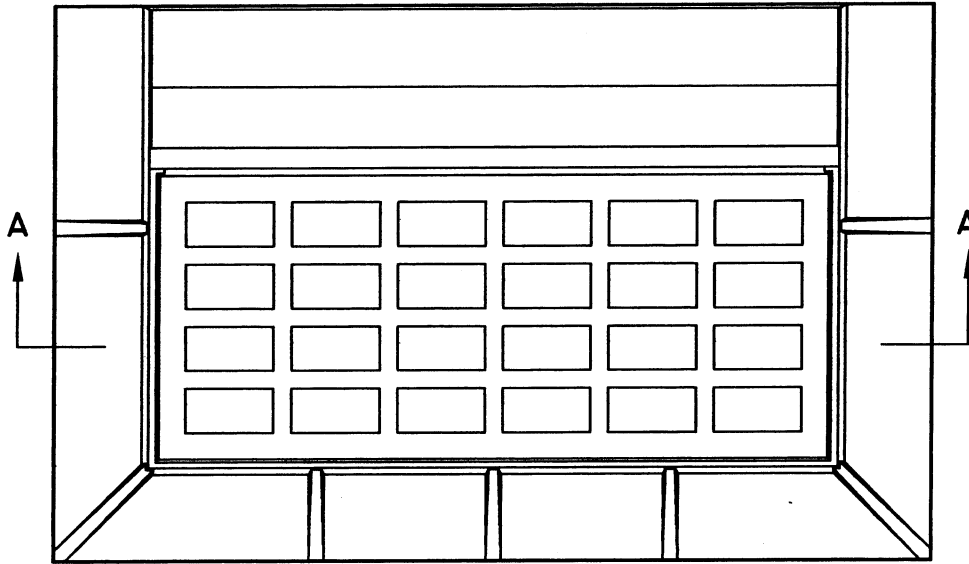


SECTION A-A

FRAME, GRATE AND SIDE INLET

TF-70

PLAN

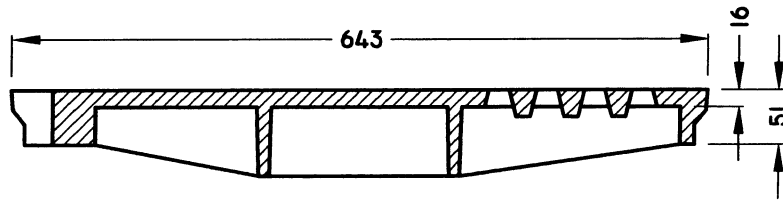
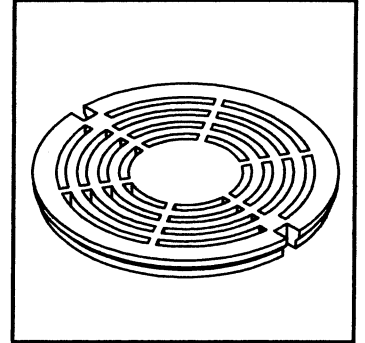
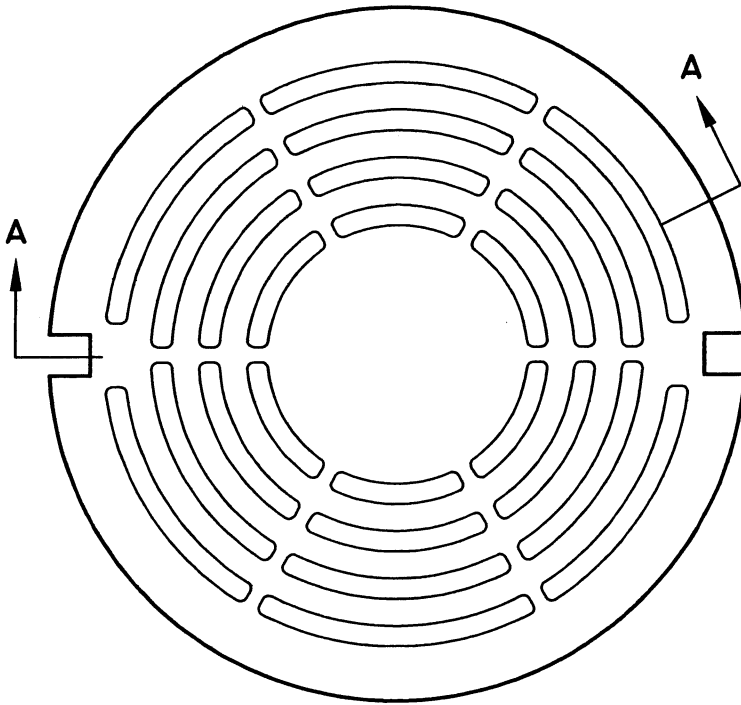


SECTION A-A

STANDARD GRATE

TF-80

PLAN

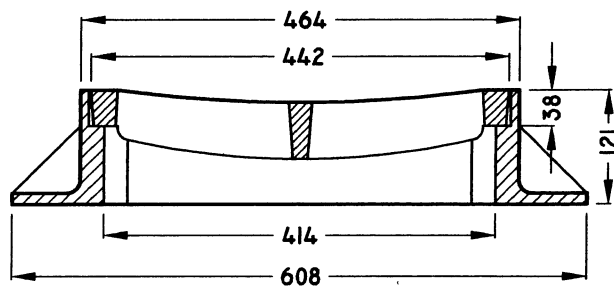
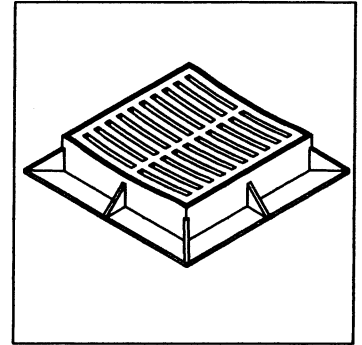
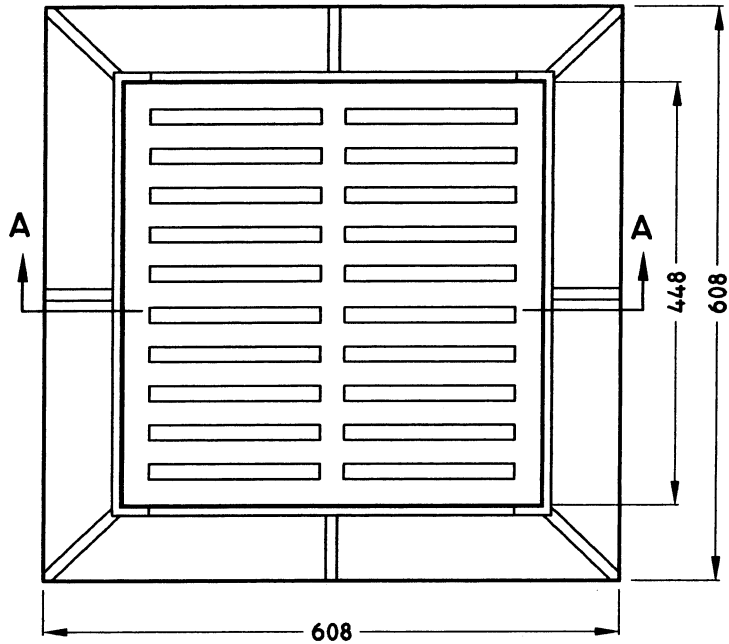


SECTION A-A

FRAME AND GRATE

TF-E

PLAN

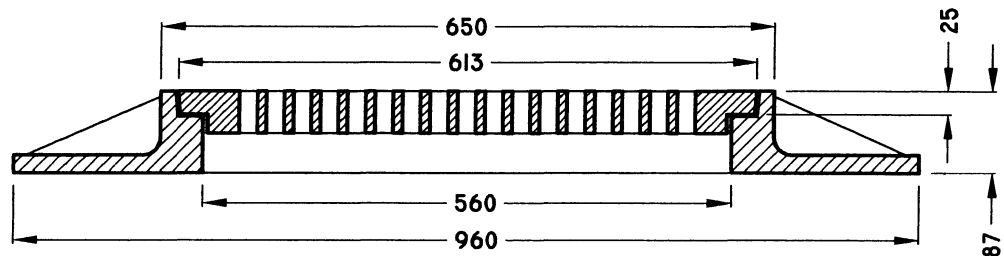
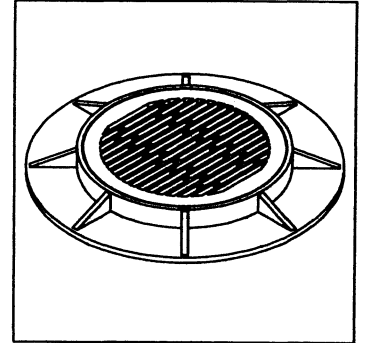
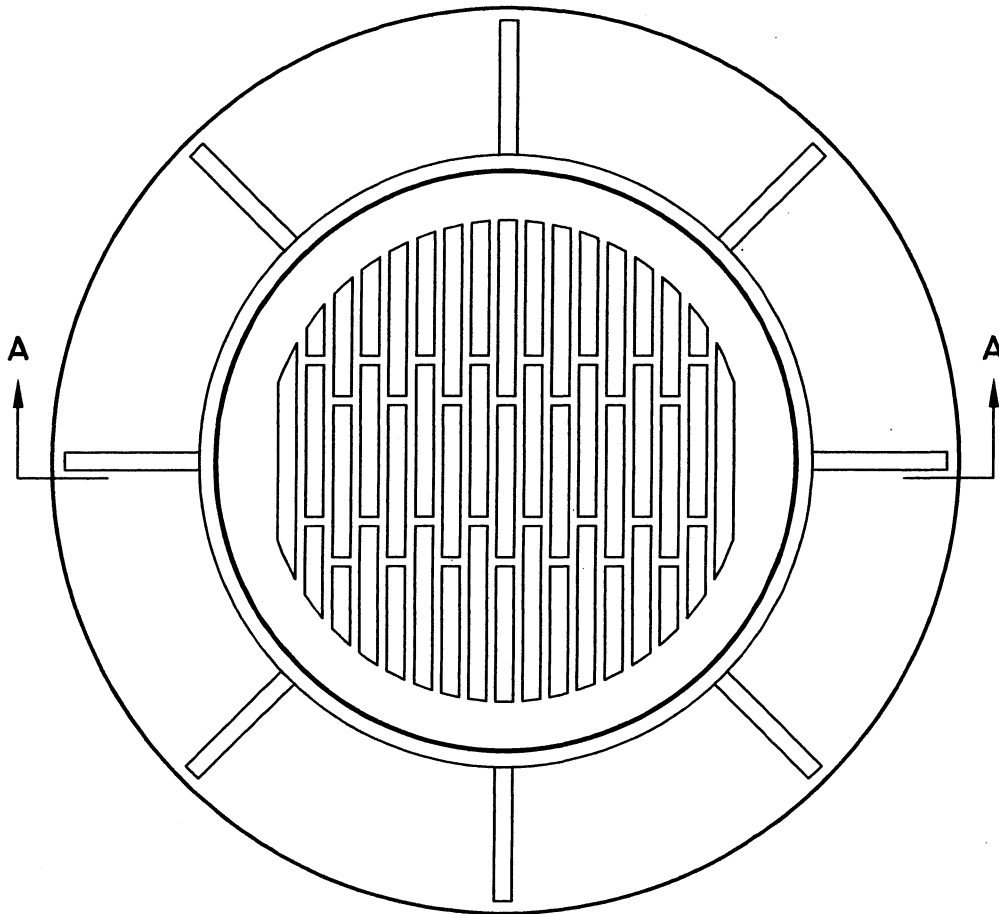


SECTION A-A

EXTRA SHALLOW FRAME AND GRATE

TF-50

PLAN



SECTION A-A

ISO 9001-2000 CERTIFIED

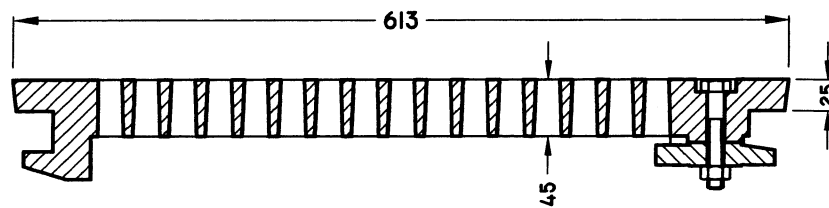
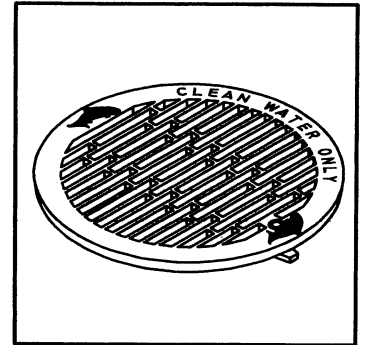
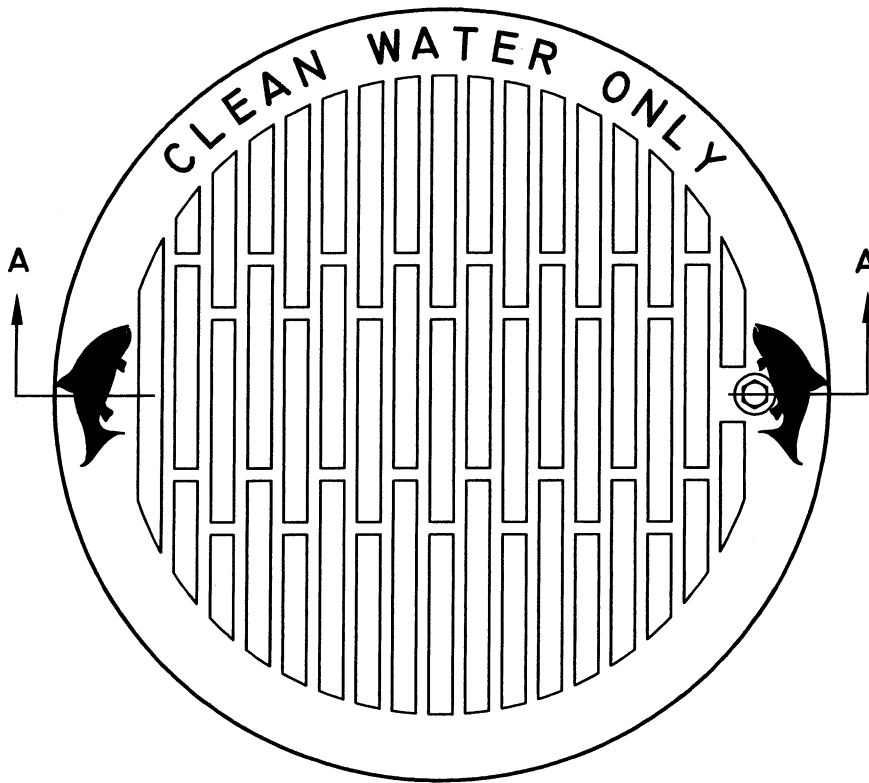
RATED FOR HS-20 LIVE LOAD

MEASUREMENTS IN MILLIMETERS

LOCKING GRATE

TF-50

PLAN



SECTION A-A