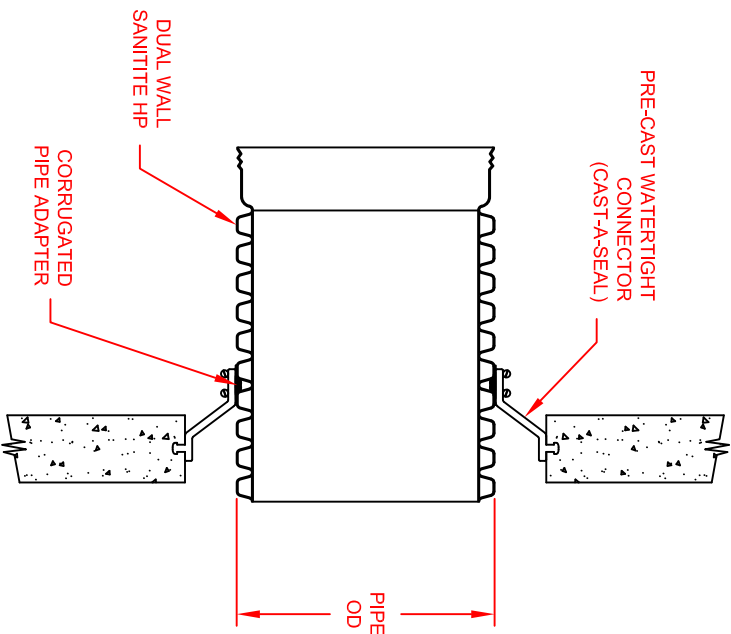
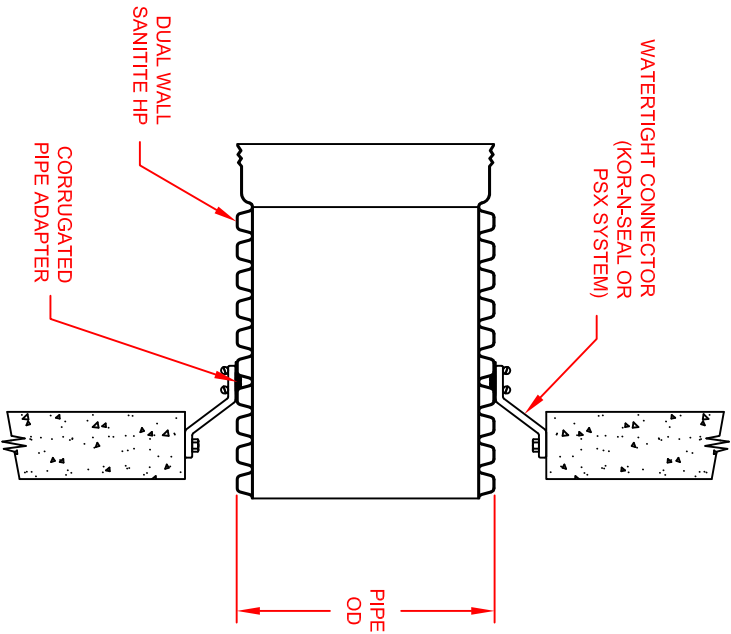


12"-30" DUAL WALL SANITITE® HP WATERTIGHT CONNECTION USING A MANHOLE BOOT (CORED HOLE OR PRE-CAST) W/ CORRUGATED PIPE ADAPTER



PIPE SIZE (IN)	PIPE OD (IN)	NPC PIPE ADAPTER	KOR-N-SEAL®		CORRUGATED PIPE ADAPTER	PSX AND CAST-A-SEAL® SYSTEMS		
			SERIES I OR II	SERIES 306		PSX: DIRECT DRIVE*	PSX: POSITIVE SEAL SYSTEM*	CAST-A-SEAL *
12	14.5	CGA-12	S106-20BWS	N/A	1250PS	18Y	166 OR 18L	CAS 603
15	17.6	CGA-15	S106-20WS	N/A	1550PS	22L	208 OR 22L	CAS 603
18	21.2	CGA-18	S206-24L	S306-24L	1850PS	26L	24A	CAS 802
24	28.1	CGA-24	S206-32	S306-32	2450PS	32L	308 OR 32L	CAS 802
30	35.3	N/A	S206-40	S306-40	3050PS	40L	388 OR 40L	CAS 802

* THIRD PARTY - CODES AS SUPPLIED BY MANUFACTURER
 KOR-N-SEAL is a registered trademark of NPC, Inc. (www.npc.com)
 CAST-A-SEAL is a registered trademark of PRESS-SEAL GASKET CORPORATION. (www.press-seal.com)
 PSX Systems are a product of PRESS-SEAL GASKET CORPORATION. (www.press-seal.com)

© 2010 ADS, INC.

ADVANCED DRAINAGE SYSTEMS, INC. ("ADS") HAS PREPARED THIS DETAIL BASED ON INFORMATION PROVIDED TO ADS. THIS DRAWING IS INTENDED TO DEPICT THE COMPONENTS AS REQUESTED. ADS HAS NOT PERFORMED ANY ENGINEERING OR DESIGN SERVICES FOR THIS PROJECT. NOR HAS ADS INDEPENDENTLY VERIFIED THE INFORMATION SUPPLIED. THE INSTALLATION DETAILS PROVIDED HEREIN ARE GENERAL RECOMMENDATIONS AND ARE NOT SPECIFIC FOR THIS PROJECT. THE DESIGN ENGINEER SHALL REVIEW THESE DETAILS PRIOR TO CONSTRUCTION. IT IS THE DESIGN ENGINEERS RESPONSIBILITY TO ENSURE THE DETAILS PROVIDED HEREIN MEETS OR EXCEEDS THE APPLICABLE NATIONAL, STATE, OR LOCAL REQUIREMENTS AND TO ENSURE THAT THE DETAILS PROVIDED HEREIN ARE ACCEPTABLE FOR THIS PROJECT.

NOTES:

PERFORMANCE HIGHLY DEPENDENT ON INSTALLATION. CONTRACTOR MUST ENSURE MANHOLE GASKET IS UNIFORMLY SEATED AROUND STRUCTURE ADAPTER. EXTRA PRECAUTIONS MUST BE TAKEN TO PREVENT DIFFERENTIAL SETTLEMENT BETWEEN THE PIPE AND MANHOLE.

THE CAST-A-SEAL CONNECTION IS FOR USE WITH SQUARE MANHOLES ONLY.

SEE STANDARD DETAIL STD-201 AND TECHNICAL NOTE: 5.04 HDPE CONNECTIONS TO MANHOLES AND STRUCTURES FOR INSTALLATION RECOMMENDATIONS.

REV.	DESCRIPTION	BY	MM/DD/YY	CHKD
1	GENERAL REVISIONS	CKM	2/22/10	

**WATERTIGHT STRUCTURE
12" - 30" SANITARY DETAIL**

DRAWING NUMBER: **STD-205C**

ADS
 ADVANCED DRAINAGE SYSTEMS, INC.
 4640 TRUEMAN BLVD
 HILLIARD, OHIO 43026

DATE	4/3/09
SCALE	NTS
SHEET	1 OF 1