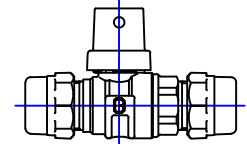


Cambridge Brass
P.O. Box 249
140 Orion Place
Cambridge, Ontario
Canada N1R 5V1
Tel: (519) 621-5520
Fax: (519) 621-8674
http://www.cambridgebrass.com

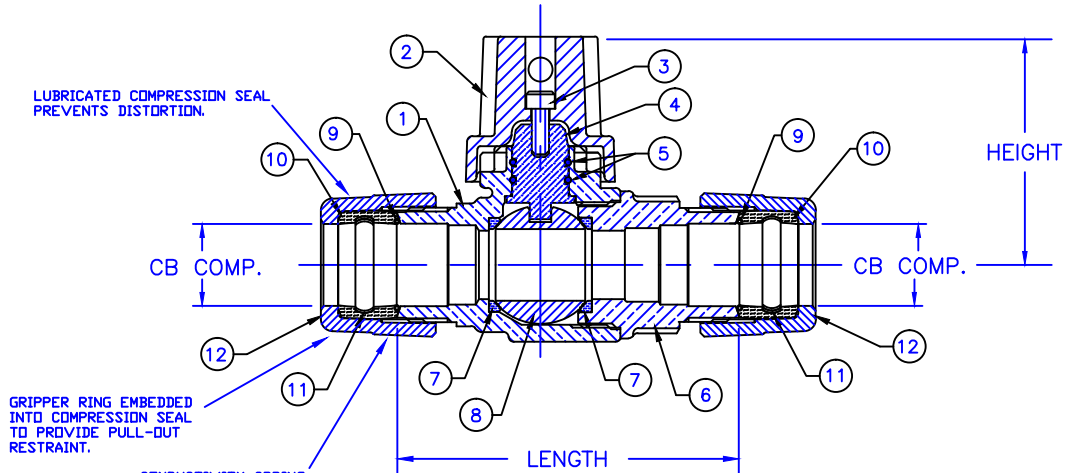


MODEL NO. 202NL

CB COMPRESSION x CB COMPRESSION

CURB STOP – BALL STYLE

FOR COPPER OR PLASTIC TUBING (CTS)



GRIPPER RING EMBEDDED INTO COMPRESSION SEAL TO PROVIDE PULL-OUT RESTRAINT.

CONDUCTIVITY SPRING MOULDED INTO COMPRESSION SEAL.

PARTS AND MATERIAL:

- 1. VALVE BODY: CAST BRASS, ALLOY C89833
- 2. CAP: CAST BRASS, ALLOY C83600
- 3. CAP SCREW: STAINLESS STEEL, TYPE 304
- 4. STEM: STAINLESS STEEL, TYPE 303
- 5. O-RING: NITRILE RUBBER
- 6. ENDBODY: CAST BRASS, ALLOY C89833
- 7. SEATS: TEFLON
- 8. BALL: CAST BRASS, ALLOY C89833
- 9. CONDUCTOR SPRING: BRASS
- 10. COMPRESSION SEAL: NITRILE RUBBER
- 11. GRIPPER: STAINLESS STEEL, TYPE 302
- 12. TAILNUT: CAST BRASS, ALLOY C83600

FEATURES

- CONFORMS TO AWWA C800 (ASTM B584 UNS C89833 FOR BRASS PARTS IN CONTACT WITH POTABLE WATER)
- CONFORMS TO ANSI/NSF 61-8
- CONFORMS TO ANSI/NSF 372 (COMPLIANT WITH US Safe Drinking Water Act. PL 111-380)
- BODY AND NUTS PROVIDE WRENCH FLATS FOR INSTALLATION
- 300PSI WORKING PRESSURE

ORDERING INFORMATION:

FULL 360 ROTATION = ADD "R" TO END OF CATALOG NO.

Cambridge Brass considers **HANDLING INFORMATION** to be correct at the time of publication. Item and option availability, including specifications, are subject to change without notice.

VALVE SIZE	CATALOG NO.	CB COMP.	CB COMP.	LENGTH	HEIGHT	APPROX. WT. LBS.
3/4"	202NL-H3H3	3/4"	3/4"	3.75"	2.50"	2.5
3/4"	202NL-H3H4	3/4"	1"	4.00"	2.50"	3.2
1"	202NL-H4H4	1"	1"	4.42"	2.68"	3.9
1 1/4"	202NL-H5H5	1 1/4"	1 1/4"	6.56"	3.31"	9.8
1 1/2"	202NL-H6H6	1 1/2"	1 1/2"	6.56"	3.31"	9.3
2"	202NL-H7H7	2"	2"	6.83"	3.61"	12.5

Submitted by: