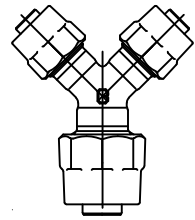


Cambridge Brass
P.O. Box 249
140 Orion Place
Cambridge, Ontario
Canada N1R 5V1
Tel: (519) 621-5520
Fax: (519) 621-8674
http://www.cambridgebrass.com

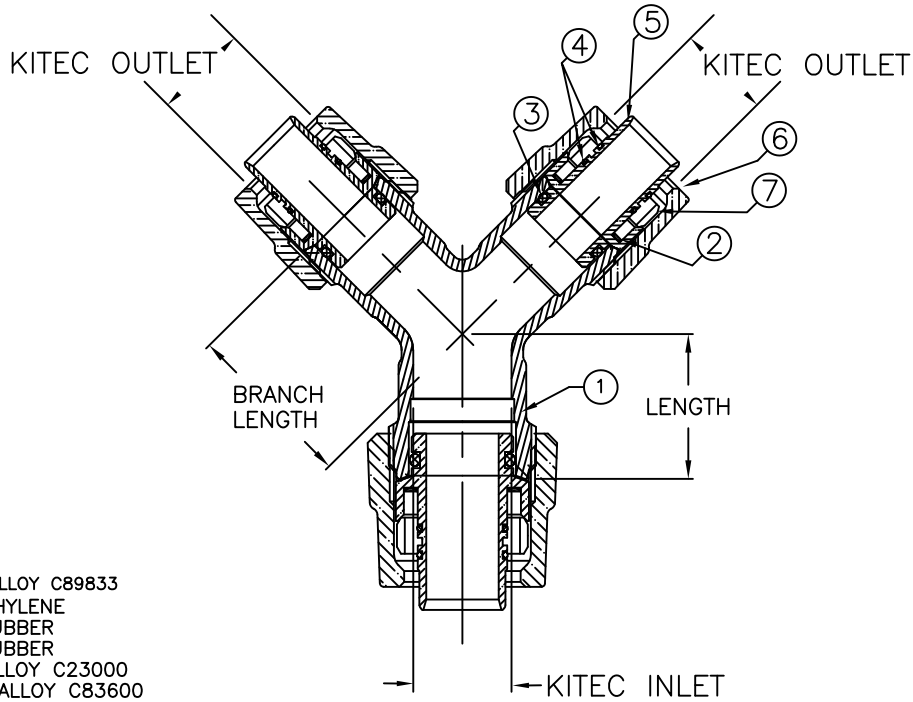


MODEL NO. 152NL

KITEC x KITEC x KITEC

WYE - BRANCH

FOR KITEC TUBING



PARTS AND MATERIAL:

1. BODY: CAST BRASS, ALLOY C89833
2. INSULATOR: POLYETHYLENE
3. O-RING: NITRILE RUBBER
4. O-RING: NITRILE RUBBER
5. INSERT: COPPER, ALLOY C23000
6. NUT: CAST BRASS, ALLOY C83600
7. GRIPPER: BRASS, ALLOY C51000

FEATURES:

- CONFORMS TO AWWA C800 (ASTM B584 UNS C89833 FOR ALL BRASS PARTS IN CONTACT WITH POTABLE WATER)
- CONFORMS TO ANSI/NSF 61-8
- CONFORMS TO ANSI/NSF 372 (COMPLIANT WITH US Safe Drinking Water Act. PL 111-380)
- 300PSI WORKING PRESSURE

Cambridge Brass considers the information in this submittal form to be correct at the time of publication. Item and option availability, including specifications, are subject to change without notice.

SIZE	CATALOG NO.	INLET SIZE	OUTLET SIZE	LENGTH	BRANCH LENGTH	APPROX. WT. LBS.
1" x 3/4" x 3/4"	152NL-K4K3	1"	3/4"	1.56"	1.83"	2.1

Submitted by: