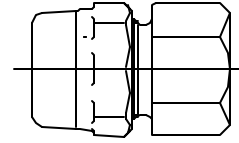


Cambridge Brass
P.O. Box 249
140 Orion Place
Cambridge, Ontario
Canada N1R 5V1
Tel: (519) 621-5520
Fax: (519) 621-8674
http://www.cambridgebrass.com

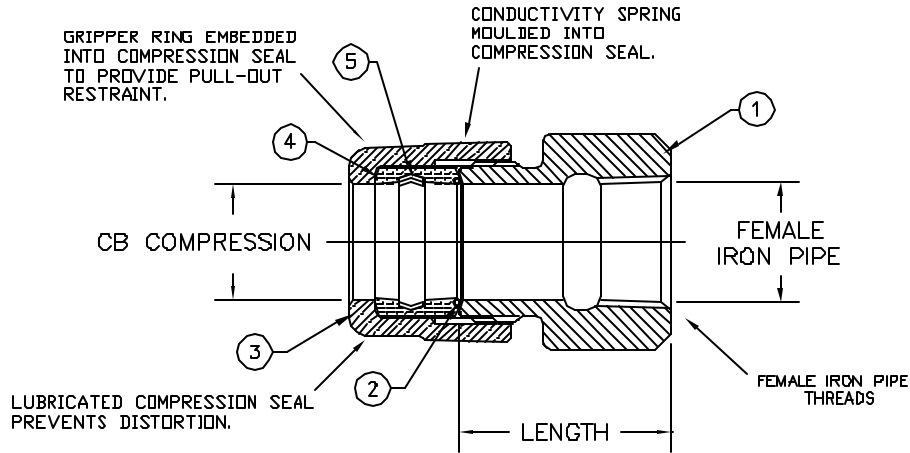


MODEL NO. 117NL

CB COMPRESSION x
FEMALE IRON PIPE

ADAPTOR

FOR COPPER OR PLASTIC TUBING (CTS) x THREADED PIPE



PARTS AND MATERIAL:

1. BODY: CAST BRASS, ALLOY C89833
2. CONDUCTOR SPRING: BRASS
3. COMPRESSION NUT: CAST BRASS, ALLOY C83600
4. COMPRESSION SEAL: NITRILE RUBBER
5. GRIPPER: STAINLESS STEEL, ALLOY 302

FEATURES:

- ALL COMPONENTS CONFORM TO AWWA STANDARD C800-05 (ASTM B-584 UNS NO C89833 FOR BRASS PARTS IN CONTACT WITH POTABLE WATER, AND ASTM B-62 AND B-584 UNS NO C83600 FOR ALL OTHER BRASS PARTS).
- CSA CLASSIFIED TO ANSI/NSF STANDARD B1-8.
- BODY PROVIDES LARGE, RUGGED WRENCH FLATES FOR PROPER INSTALLATION.

Cambridge Brass considers the information in this submittal form to be correct at the time of publication. Item and option availability, including specifications, are subject to change without notice.

COUPLING SIZE	CATALOG NO.	CB COMPRESSION	FEMALE IRON PIPE	LENGTH	APPROX. WT. LBS.
3/4" x 1/2"	117NL-H3F1	3/4"	1/2"	1.59"	0.8
3/4"	117NL-H3F3	3/4"	3/4"	1.65"	0.7
3/4" x 1"	117NL-H3F4	3/4"	1"	1.74"	0.9
1" x 3/4"	117NL-H4F3	1"	3/4"	1.84"	1.3
1"	117NL-H4F4	1"	1"	1.84"	1.2
1 1/2"	117NL-H6F6	1 1/2"	1 1/2"	2.77"	2.3
2"	117NL-H7F7	2"	2"	2.70"	3.1

Submitted by: